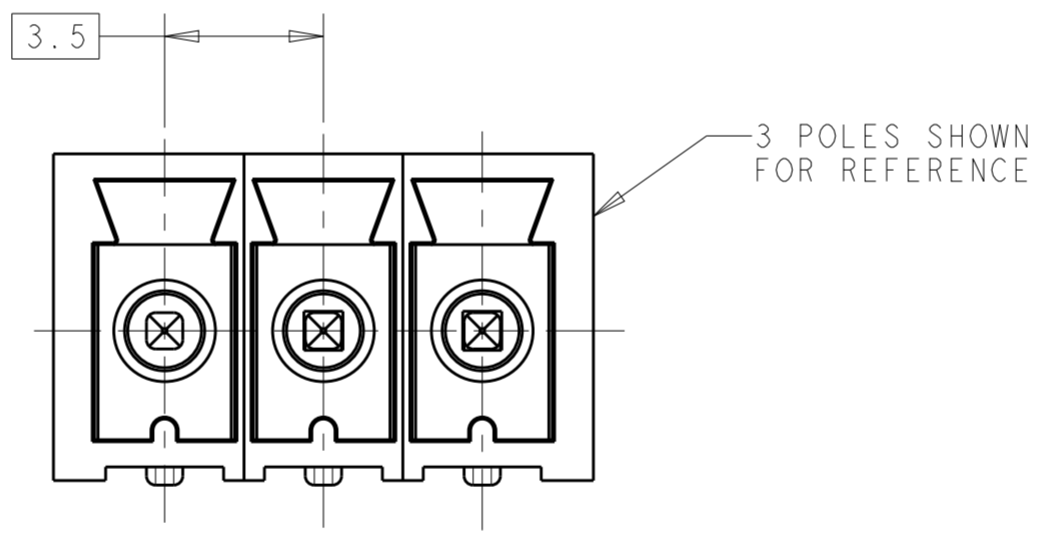
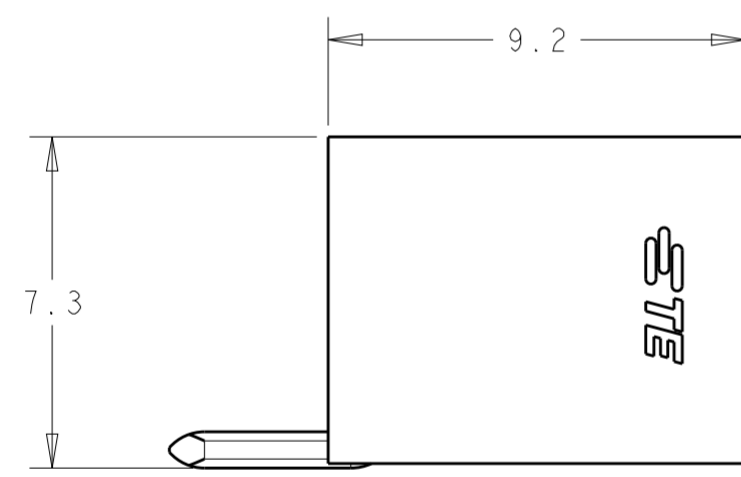
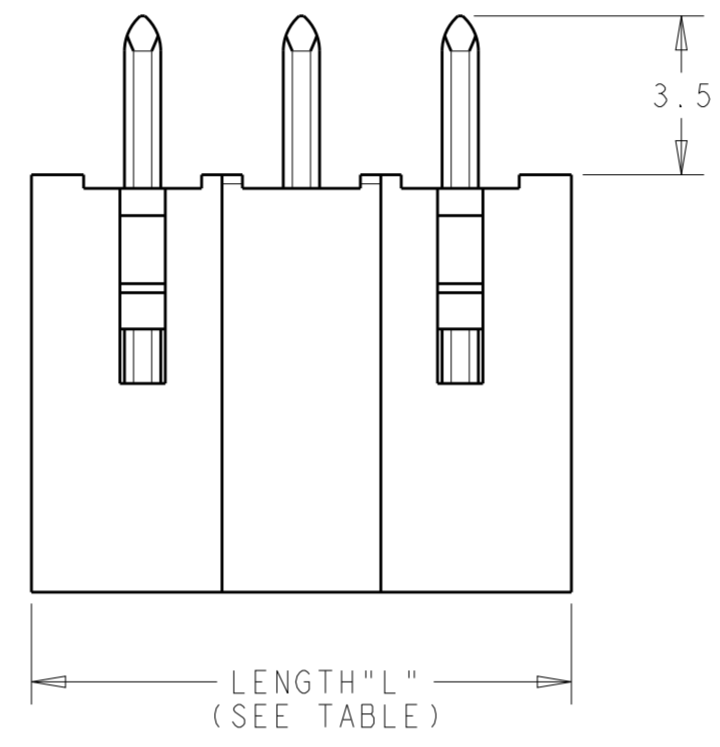
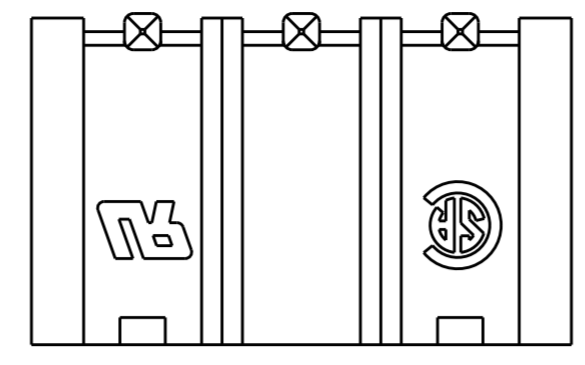
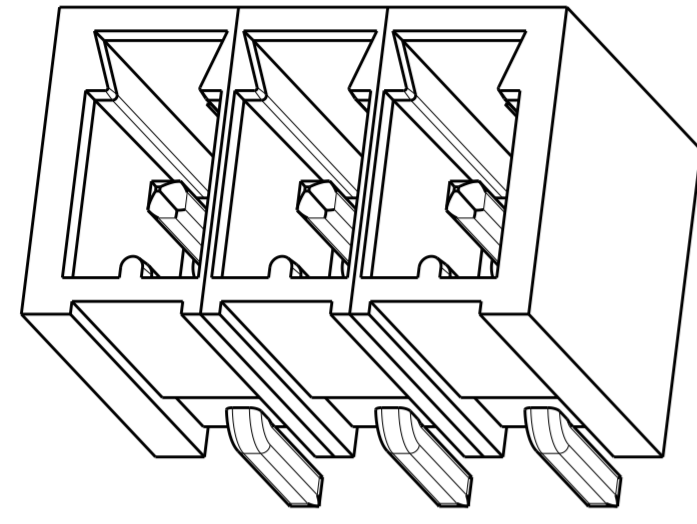
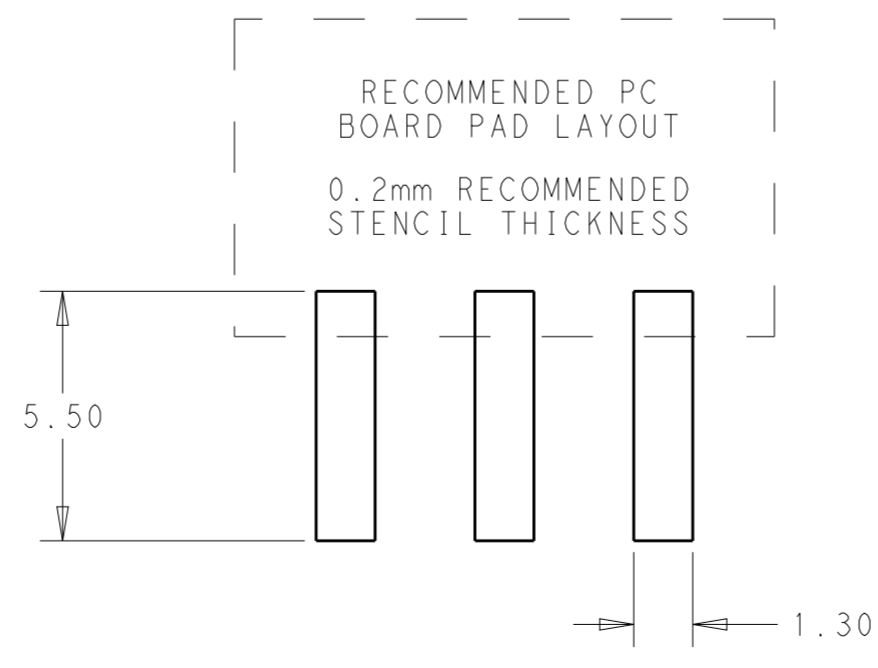


THIS DRAWING IS UNPUBLISHED. RELEASED FOR PUBLICATION  
 © COPYRIGHT copyright.d8te ALL RIGHTS RESERVED.

REVISIONS				
P	LTR	DESCRIPTION	DATE	APVD
A		NEW DRAWING	08SEP2016	RS ML
A1		REVISED PER ECR-16-016988	02JAN2017	RK PO



- HOUSING MATERIAL: THERMOPLASTIC, FLAME-RETARDANT PER UL 94 V-0  
COLOR = BLACK
- CONTACT MATERIAL: COPPER ALLOY WITH TIN PLATE
- PRODUCT CERTIFICATIONS:  
UL: 8A/300V (APPLICATION GROUPS B & D)  
CSA: 8A/300V (APPLICATION GROUP B)
- HAZARDOUS SUBSTANCE COMPLIANCE: RoHS, REACH
- PACKAGING: TAPE AND REEL  
REEL DIAMETER = 380mm  
TAPE WIDTH = SEE TABLE
- MATES WITH 2213936 SERIES



72	43.4	12	1-2213932-2
	39.9	11	1-2213932-1
56	36.4	10	1-2213932-0
	32.9	9	2213932-9
	29.4	8	2213932-8
	25.9	7	2213932-7
	22.4	6	2213932-6
	18.9	5	2213932-5
	15.4	4	2213932-4
	11.9	3	2213932-3
	8.4	2	2213932-2
TAPE WIDTH "W" (mm)	LENGTH "L" (mm)	NO. OF POLES	TE PART NO.

THIS DRAWING IS A CONTROLLED DOCUMENT.

DWN	RAVLS	08SEP2016
CHK	M.LUKSIC	08SEP2016
APVD	M.LUKSIC	08SEP2016
PRODUCT SPEC	-	
APPLICATION SPEC	-	
WEIGHT	-	
CUSTOMER DRAWING	-	

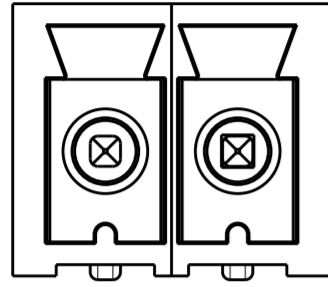
STE TE Connectivity

NAME: TERMINAL BLOCK HEADER, SMT, HORIZONTAL, 3.5MM PITCH

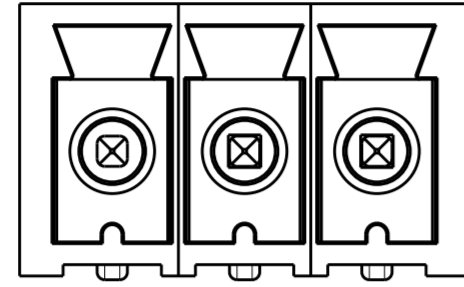
SIZE	CAGE CODE	DRAWING NO	RESTRICTED TO
A2	-	G-2213932	-
SCALE	SHEET	OF	REV
5:1	1	2	A1

THIS DRAWING IS UNPUBLISHED. RELEASED FOR PUBLICATION  
 © COPYRIGHT copyright.d8te- ALL RIGHTS RESERVED.

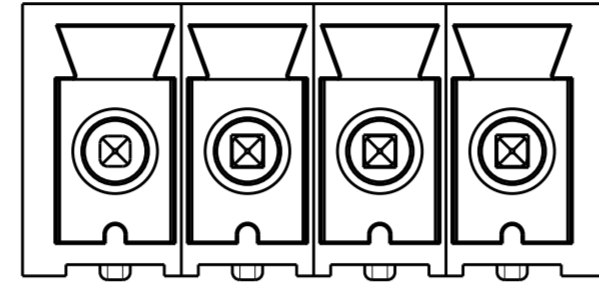
REVISIONS				
P	LTR	DESCRIPTION	DATE	APVD
-		SEE SHEET 1	-	-



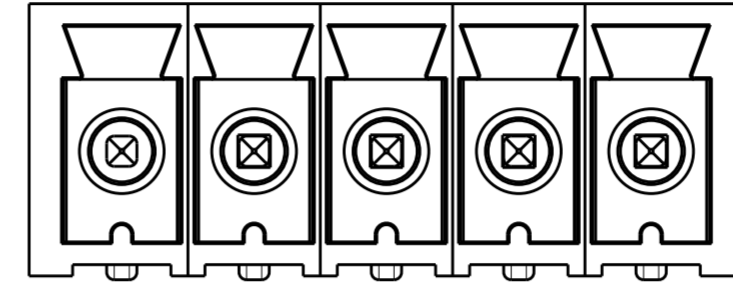
2 POLES: 2213932-2



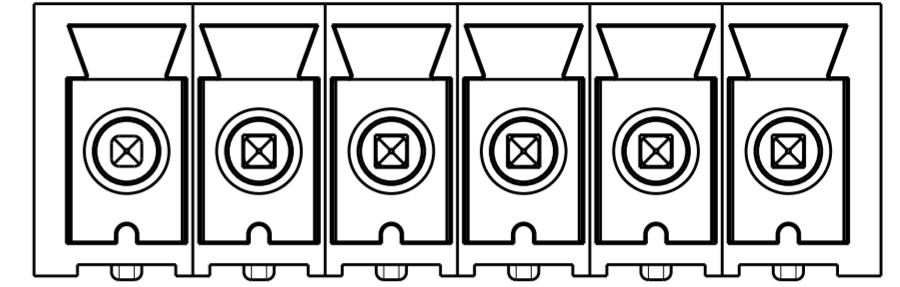
3 POLES: 2213932-3



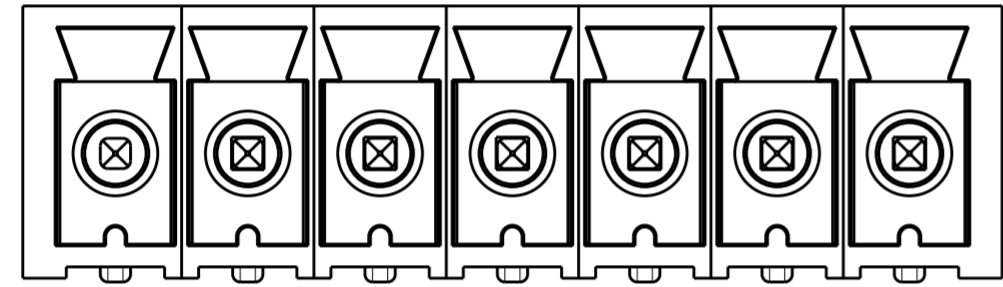
4 POLES: 2213932-4



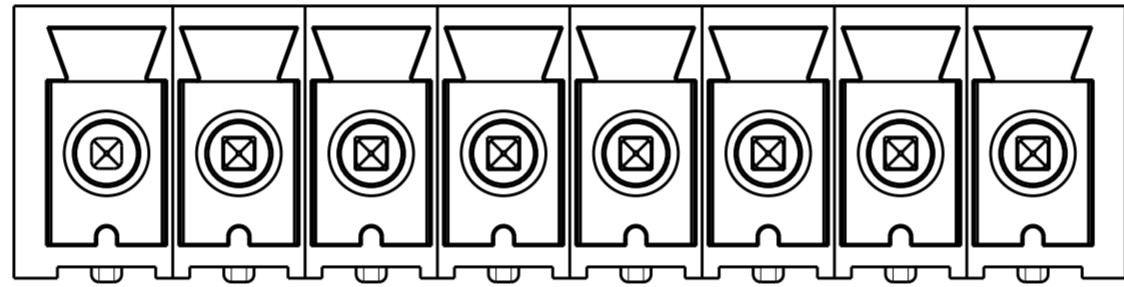
5 POLES: 2213932-5



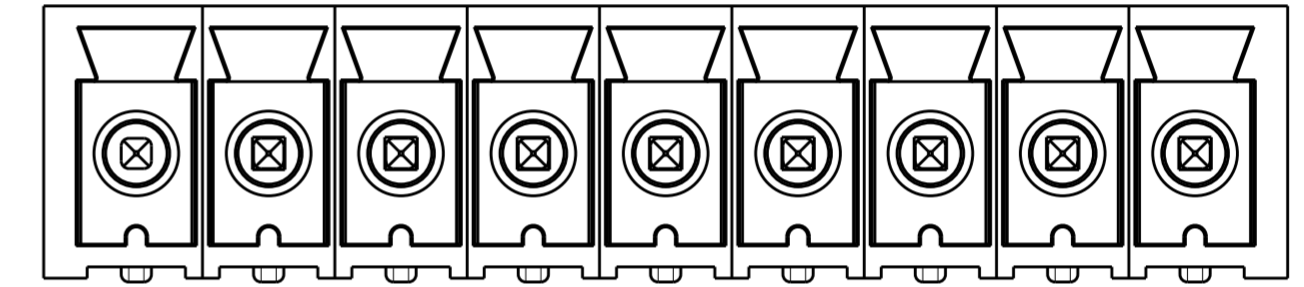
6 POLES: 2213932-6



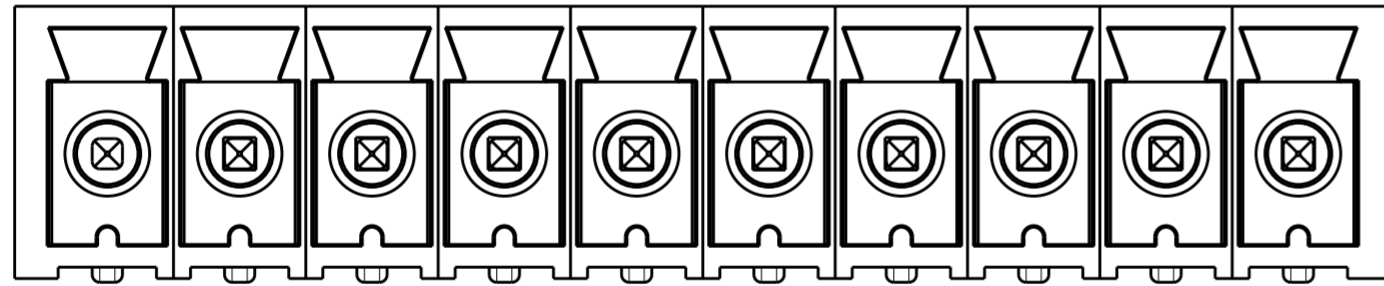
7 POLES: 2213932-7



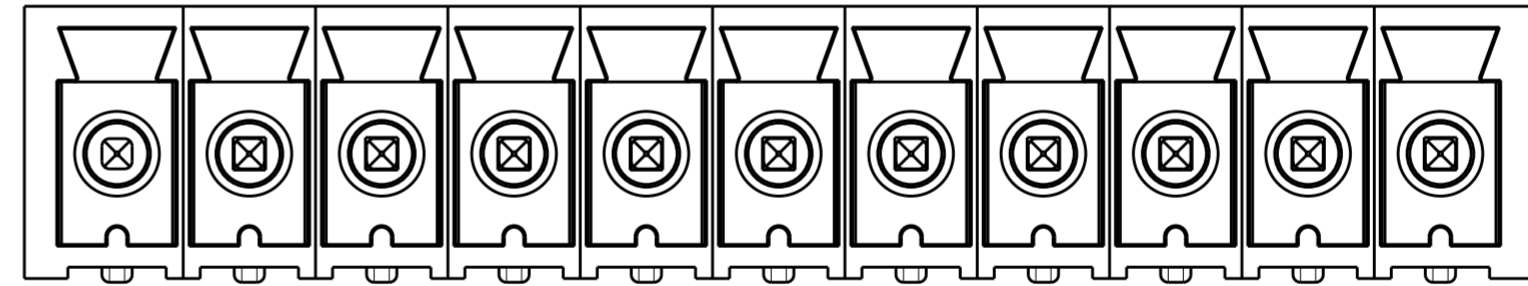
8 POLES: 2213932-8



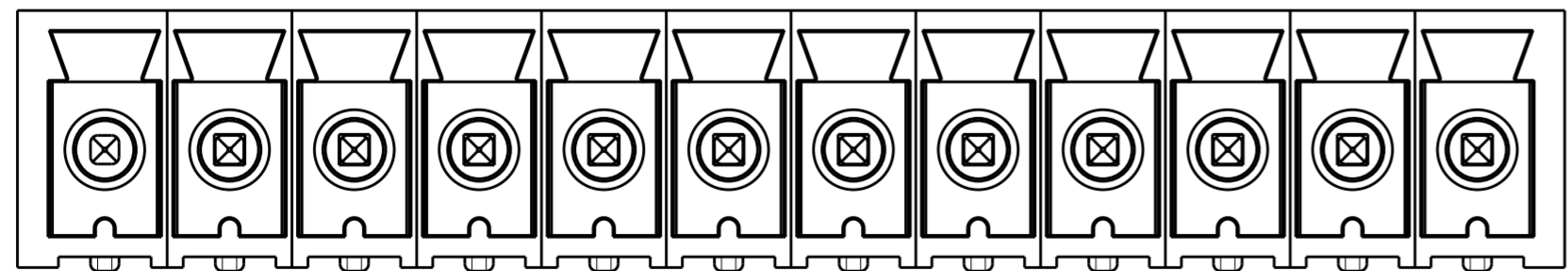
9 POLES: 2213932-9




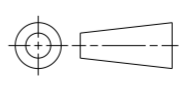
10 POLES: 1-2213932-0



11 POLES: 1-2213932-1



12 POLES: 1-2213932-2

THIS DRAWING IS A CONTROLLED DOCUMENT.		DWN RAVLS 08SEP2016	 TE Connectivity	
DIMENSIONS:		CHK M.LUKSIC 08SEP2016		
mm	TOLERANCES UNLESS OTHERWISE SPECIFIED:	APVD M.LUKSIC 08SEP2016	NAME TERMINAL BLOCK HEADER, SMT, HORIZONTAL, 3.5MM PITCH	
	0 PLC ± 1 PLC ±0.2 2 PLC ±0.13 3 PLC ± 4 PLC ± ANGLES ± FINISH -	PRODUCT SPEC -	SIZE A2	
MATERIAL -		APPLICATION SPEC -	CAGE CODE -	DRAWING NO C-2213932
		WEIGHT -	RESTRICTED TO -	SCALE 5:1
		CUSTOMER DRAWING	SHEET 2 OF 2	REV A1

## X-ON Electronics

Largest Supplier of Electrical and Electronic Components

*Click to view similar products for [Pluggable Terminal Blocks](#) category:*

*Click to view products by [TE Connectivity](#) manufacturer:*

Other Similar products are found below :

[57.404.7553](#) [57.504.0053.7](#) [57.510.0053](#) [57.910.6153](#) [01.112.1453](#) [CTB932VE/6](#) [MC 1.5/ 6-ST-3.5 GY AU](#) [ET02015000J0G](#) [734-104](#) [734-302](#) [734-304](#) [8-141-P](#) [FKCT 2.5/ 3-ST KMGY](#) [860505](#) [860508](#) [860516](#) [860810](#) [861908](#) [GBPACX-12](#) [93.731.4953.0](#) [PV05-5,08-K](#) [PVP02-5,00](#) [PVP04-3,50](#) [PVS02-5,00](#) [1-1986160-3](#) [H-10](#) [1546228-5](#) [ELFP03110](#) [ELVP03100](#) [ELXH03100](#) [ELXP041G0](#) [ELXT046G0](#) [1700101](#) [1700410](#) [1700425](#) [1703176](#) [1703243](#) [1705229](#) [1710175](#) [1714537](#) [1717806](#) [1719600](#) [1728941](#) [1729386](#) [1734692](#) [1734795](#) [1736036](#) [1740194](#) [1740291](#) [1740628](#)