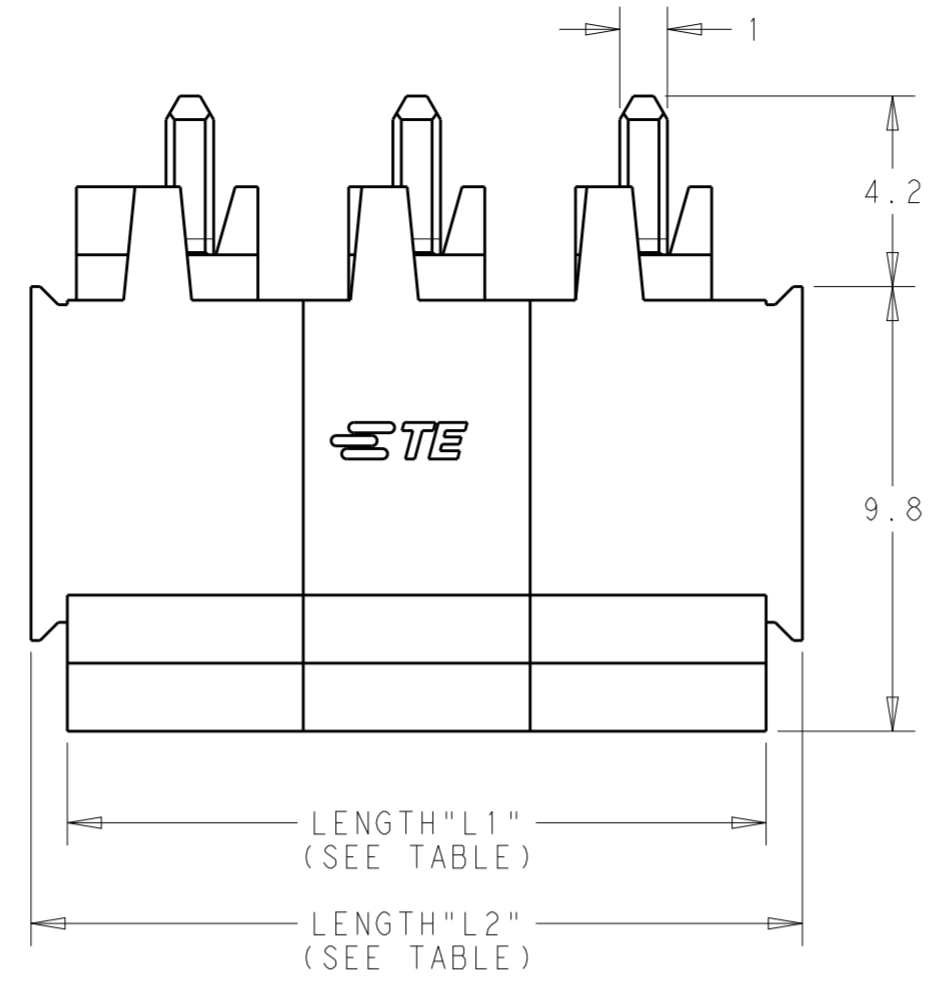
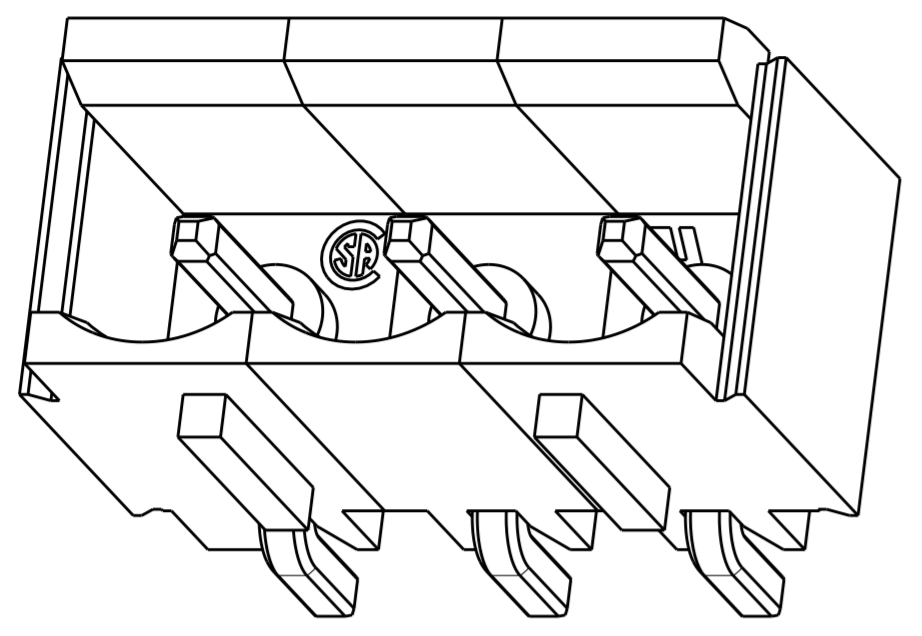
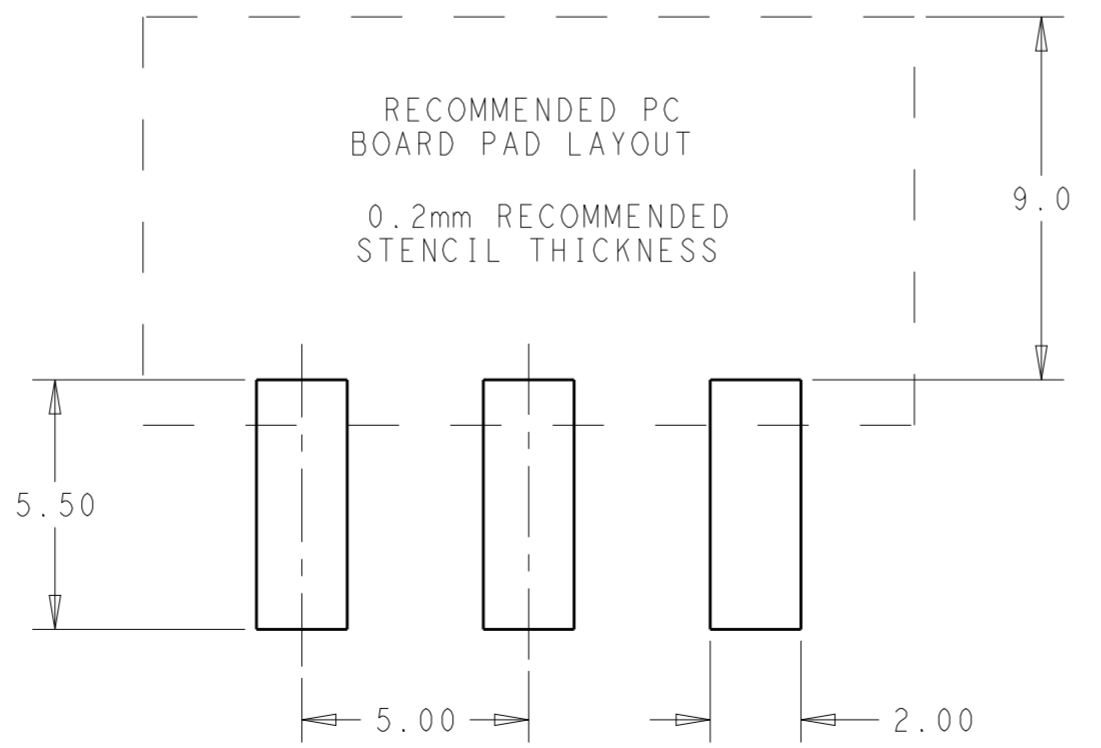
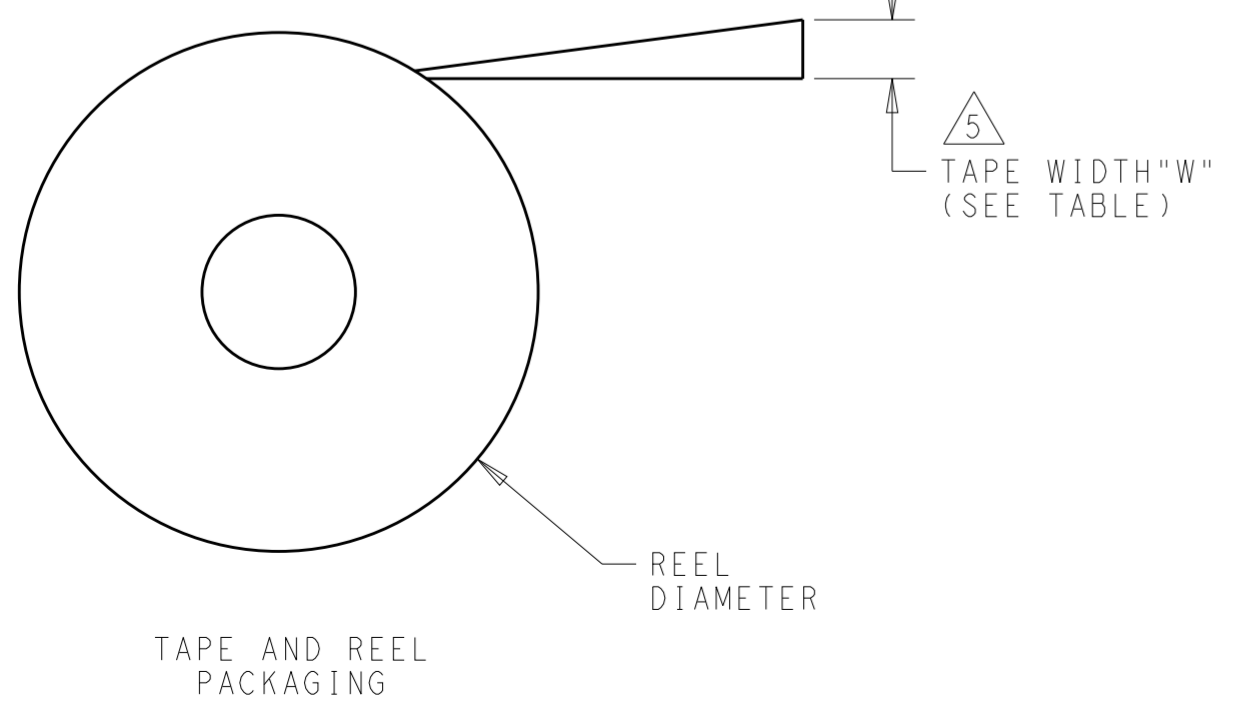
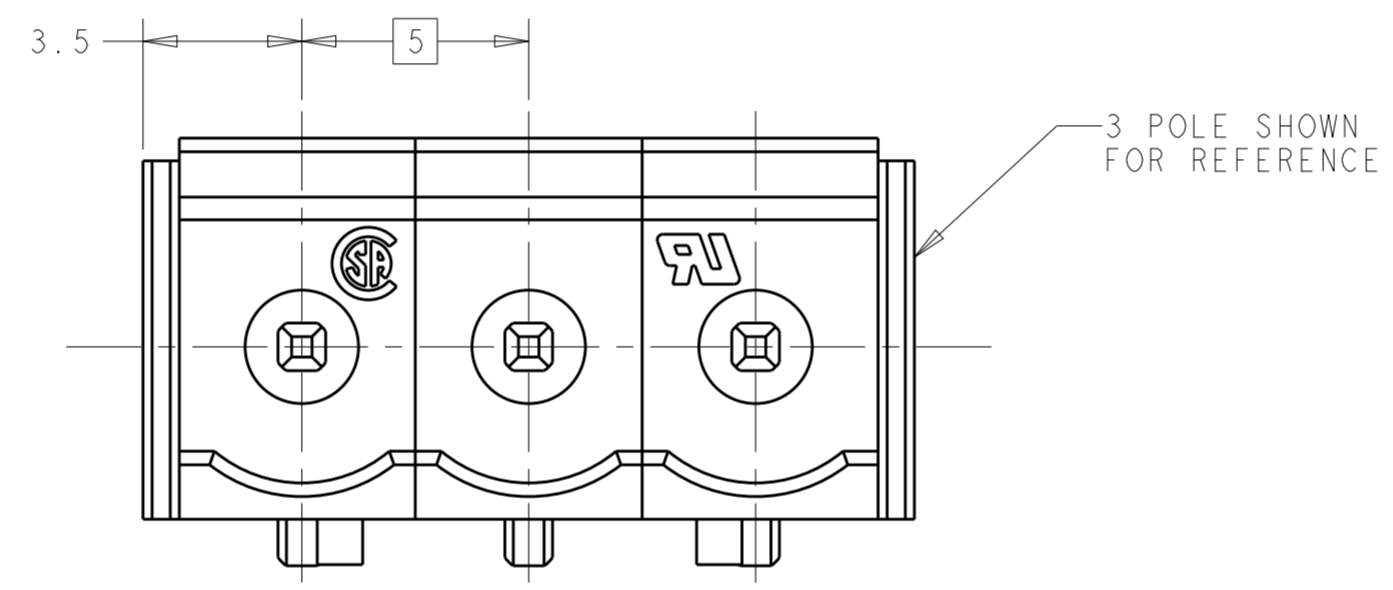
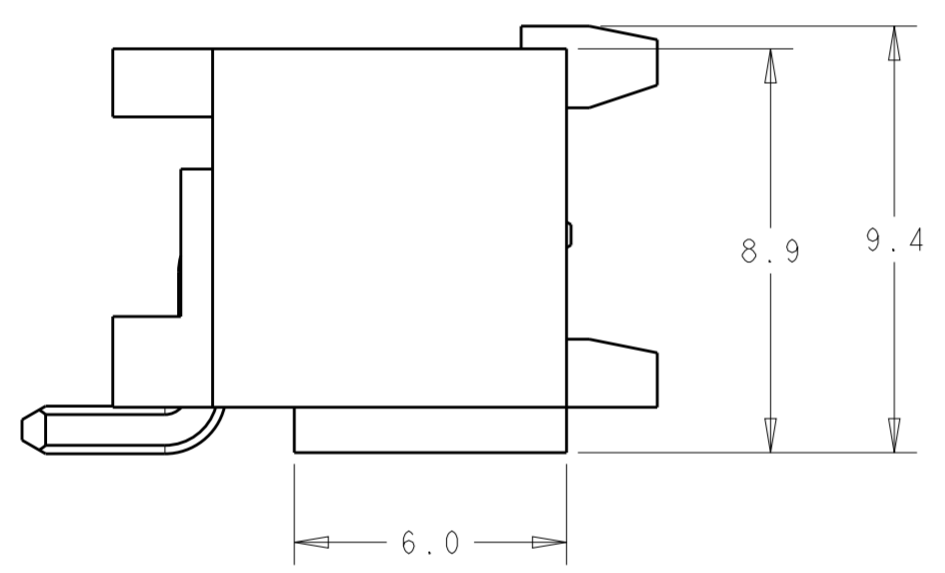


THIS DRAWING IS UNPUBLISHED. RELEASED FOR PUBLICATION
 © COPYRIGHT copyright.d8Te- ALL RIGHTS RESERVED.

REVISIONS					
P	LTR	DESCRIPTION	DATE	DWN	APVD
A		NEW DRAWING	10SEP2016	RS	ML
A1		REVISED PER ECR-16-016988	03JAN2017	RK	PO



- HOUSING MATERIAL: THERMOPLASTIC, FLAME-RETARDANT PER UL 94 V-0
COLOR = BLACK
- CONTACT MATERIAL: COPPER ALLOY WITH TIN PLATE
- PRODUCT CERTIFICATIONS:
UL, CSA: 300V (SEE TABLE FOR RATED CURRENT)
- HAZARDOUS SUBSTANCE COMPLIANCE: RoHS, REACH
- PACKAGING: TAPE AND REEL
REEL DIAMETER = 380mm
TAPE WIDTH = SEE TABLE
- MATES WITH 2213934 SERIES, 2213935 SERIES, AND 2305909 SERIES



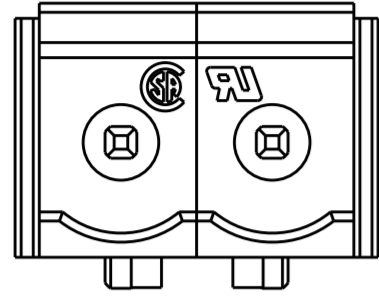
RATED CURRENT	UL GROUP	CSA GROUPS	TAPE WIDTH "W" (mm)	LENGTH "L2" (mm)	LENGTH "L1" (mm)	NO. OF POLES	TE PART NO.
10A	UL GROUP D	CSA GROUPS D, E	88	62.0	60.4	12	1-2305908-2
				57.0	55.4	11	1-2305908-1
			72	52.0	50.4	10	1-2305908-0
				47.0	45.4	9	2305908-9
			56	42.0	40.4	8	2305908-8
				37.0	35.4	7	2305908-7
15A	UL GROUP B	CSA GROUP B	44	32.0	30.4	6	2305908-6
				27.0	25.4	5	2305908-5
			24	22.0	20.4	4	2305908-4
				17.0	15.4	3	2305908-3
			12.0	10.4	2	2305908-2	

THIS DRAWING IS A CONTROLLED DOCUMENT.

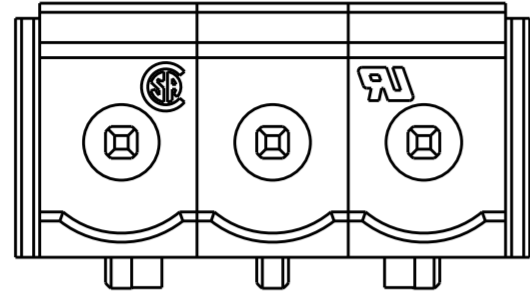
DIMENSIONS: mm	TOLERANCES UNLESS OTHERWISE SPECIFIED:	DWN: RAVLS 10SEP2016	 TE Connectivity
0 PLC ±0.2	1 PLC ±0.13	CHK: M.LUKSIC 10SEP2016	
2 PLC ±0.13	3 PLC ±	APVD: M.LUKSIC 10SEP2016	
MATERIAL: SEE NOTES	FINISH: -	NAME: TERMINAL BLOCK HEADER, RIGHT ANGLE, SMT, 5.0MM PITCH	RESTRICTED TO: -
		SIZE: A2	CAGE CODE: -
		DRAWING NO: C-2305908	SCALE: 5:1
		CUSTOMER DRAWING	SHEET 1 OF 2
			REV A1

THIS DRAWING IS UNPUBLISHED. RELEASED FOR PUBLICATION
 © COPYRIGHT copyright_dBTe- ALL RIGHTS RESERVED.

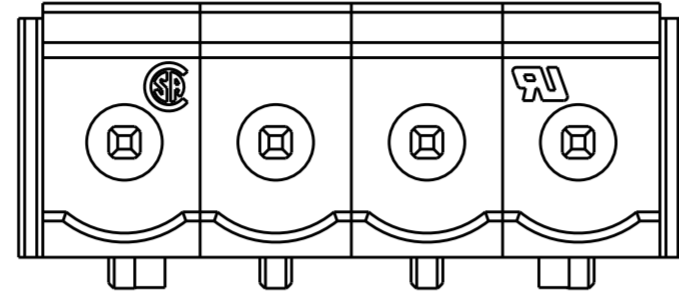
REVISIONS				
P	LTR	DESCRIPTION	DATE	APVD
-		SEE SHEET 1	-	-



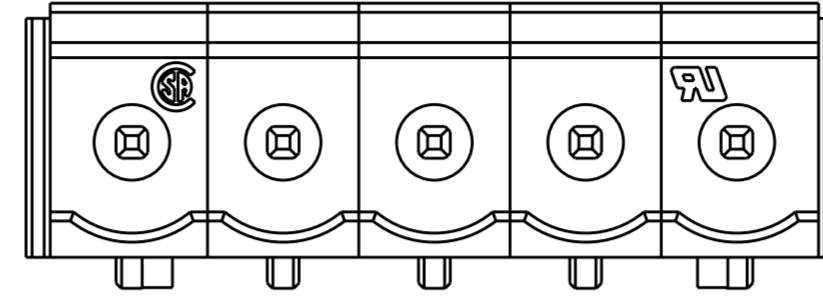
2 POLES: 2305908-2



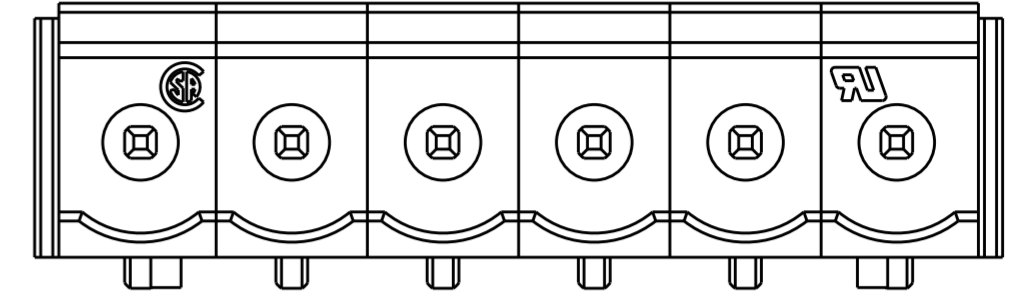
3 POLES: 2305908-3



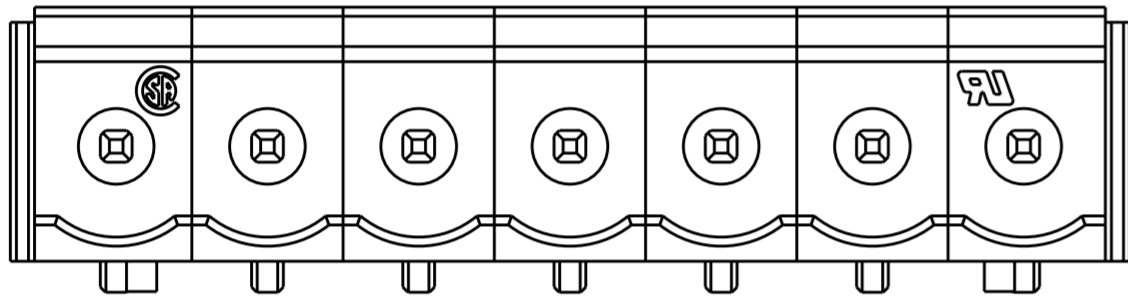
4 POLES: 2305908-4



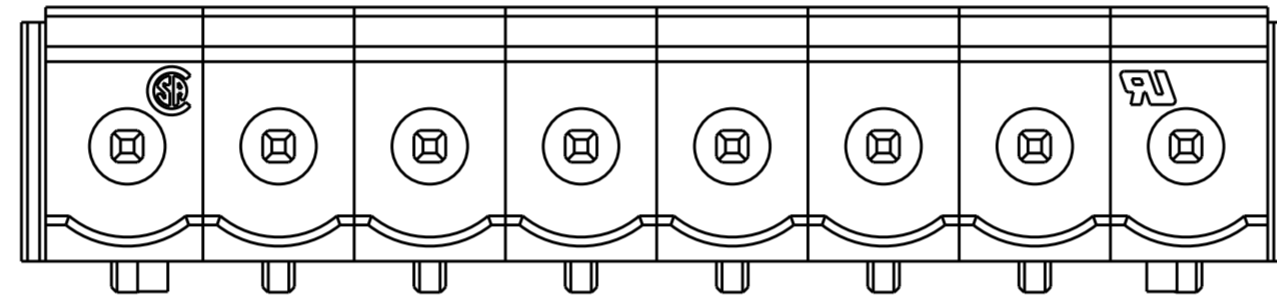
5 POLES: 2305908-5



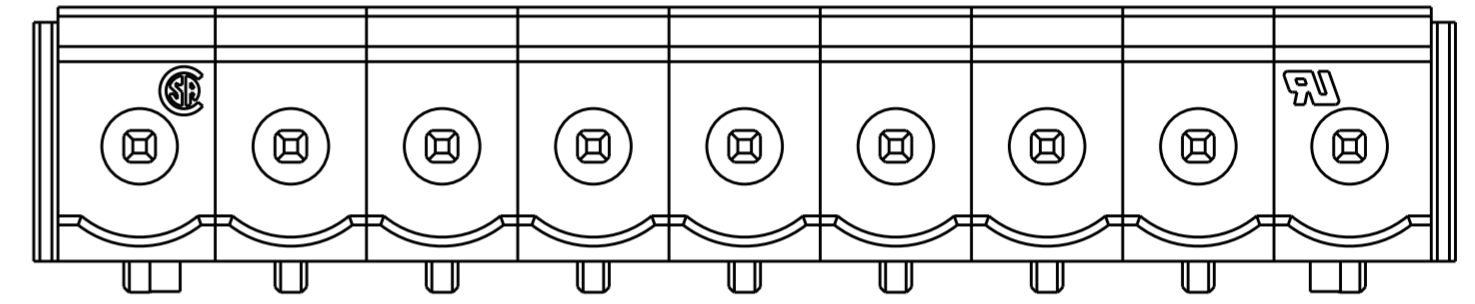
6 POLES: 2305908-6



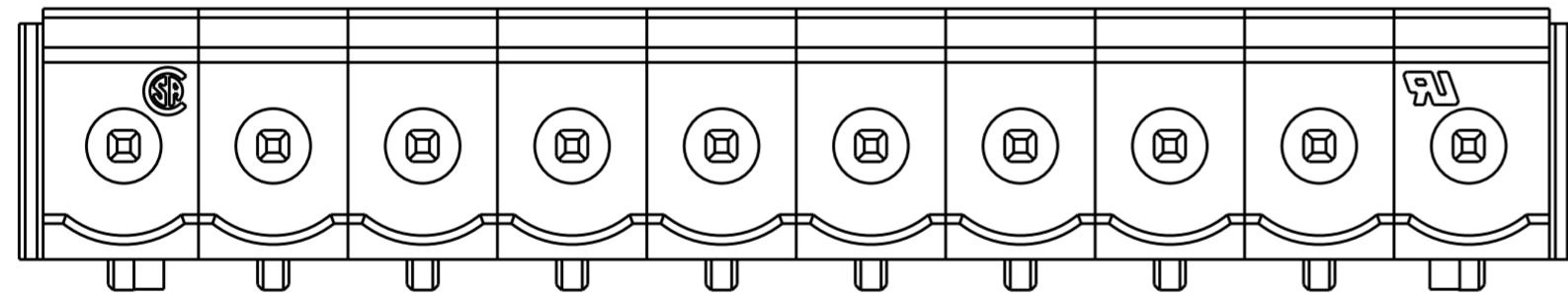
7 POLES: 2305908-7



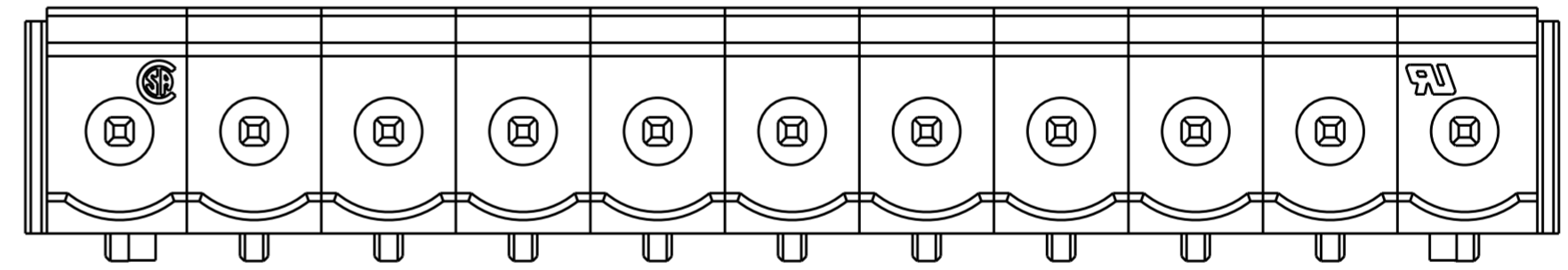
8 POLES: 2305908-8



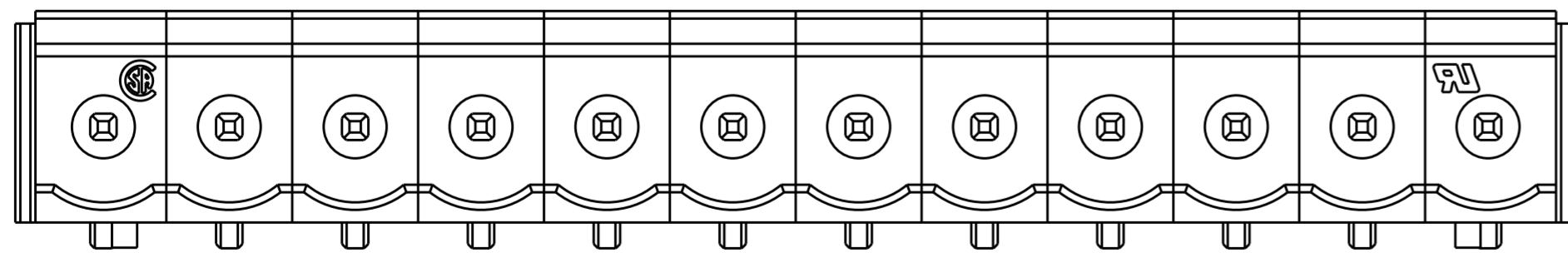
9 POLES: 2305908-9



10 POLES: 1-2305908-0



11 POLES: 1-2305908-1



12 POLES: 1-2305908-2

THIS DRAWING IS A CONTROLLED DOCUMENT.		DWN RAVLS 10SEP2016	 TE Connectivity	NAME TERMINAL BLOCK HEADER, RIGHT ANGLE, SMT, 5.0MM PITCH		
DIMENSIONS: mm		CHK M.LUKSIC 10SEP2016		SIZE A2	CAGE CODE -	DRAWING NO. G-2305908
TOLERANCES UNLESS OTHERWISE SPECIFIED: 0 PLC ± 1 PLC ±0.2 2 PLC ±0.13 3 PLC ± 4 PLC ± ANGLES ± FINISH -		APVD M.LUKSIC 10SEP2016		RESTRICTED TO -	SCALE 5:1	SHEET 2 OF 2
MATERIAL -		PRODUCT SPEC -		CUSTOMER DRAWING	REV A1	

X-ON Electronics

Largest Supplier of Electrical and Electronic Components

Click to view similar products for [Pluggable Terminal Blocks](#) category:

Click to view products by [TE Connectivity](#) manufacturer:

Other Similar products are found below :

[57.404.7553](#) [57.504.0053.7](#) [57.510.0053](#) [57.910.6153](#) [01.112.1453](#) [CTB932VE/6](#) [MC 1.5/ 6-ST-3.5 GY AU](#) [ET02015000J0G](#) [734-104](#) [734-302](#) [734-304](#) [8-141-P](#) [FKCT 2.5/ 3-ST KMGY](#) [860505](#) [860508](#) [860516](#) [860810](#) [861908](#) [GBPACX-12](#) [93.731.4953.0](#) [PV05-5,08-K](#) [PVP02-5,00](#) [PVP04-3,50](#) [PVS02-5,00](#) [1-1986160-3](#) [H-10](#) [1546228-5](#) [ELFP03110](#) [ELVP03100](#) [ELXH03100](#) [ELXP041G0](#) [ELXT046G0](#) [1700101](#) [1700410](#) [1700425](#) [1703176](#) [1703243](#) [1705229](#) [1710175](#) [1714537](#) [1717806](#) [1719600](#) [1728941](#) [1729386](#) [1734692](#) [1734795](#) [1736036](#) [1740194](#) [1740291](#) [1740628](#)