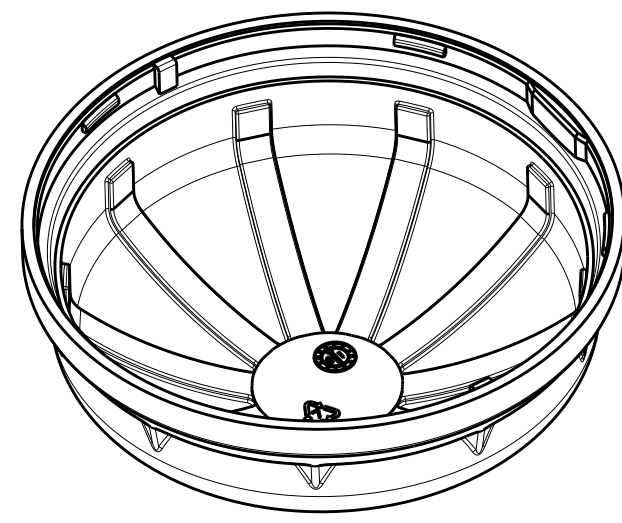
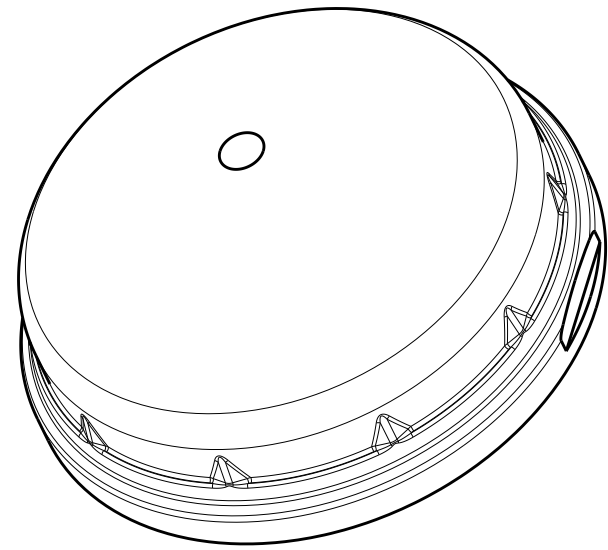
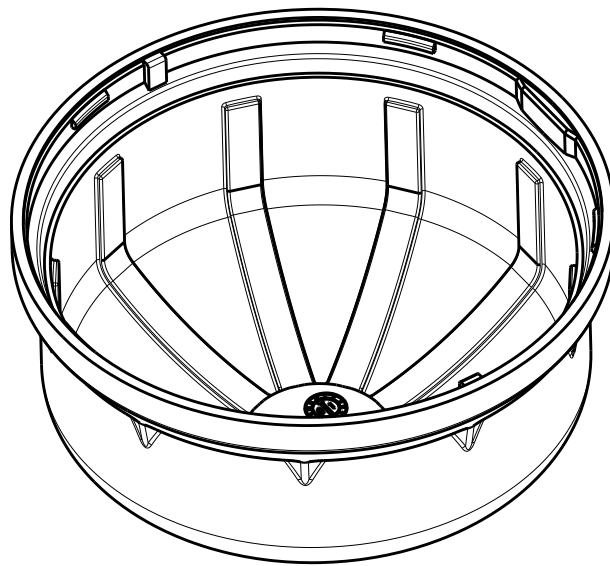
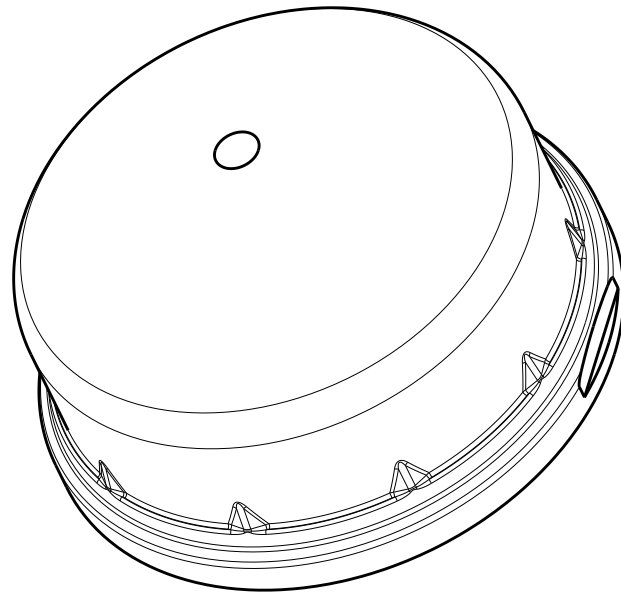


THIS DRAWING IS UNPUBLISHED. RELEASED FOR PUBLICATION
 © COPYRIGHT copyright.d8te- ALL RIGHTS RESERVED.

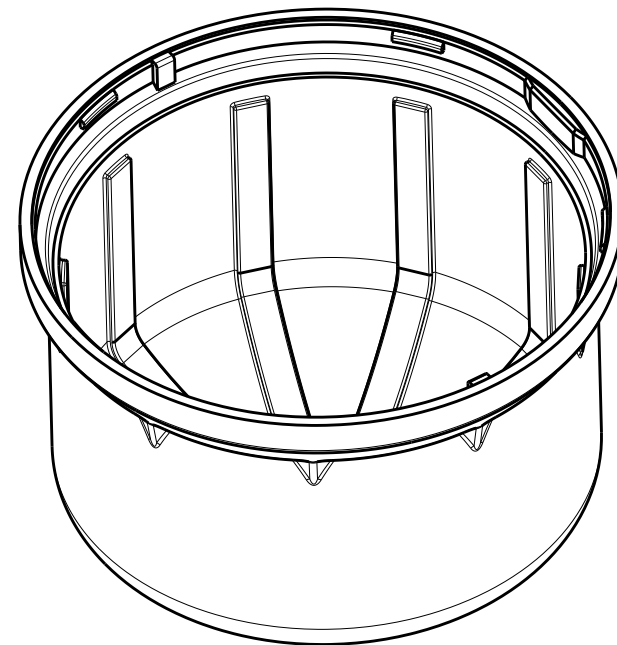
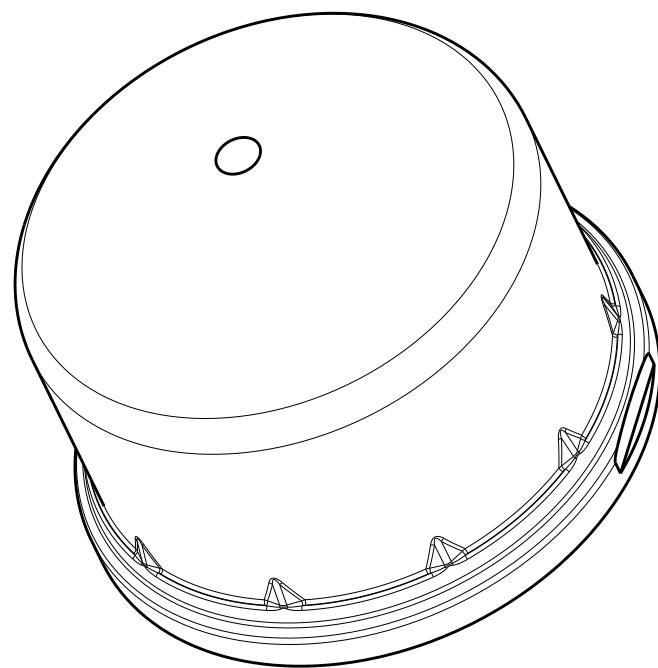
| REVISIONS | | | | |
|-----------|-----|---------------------------|-----------|-------|
| P | LTR | DESCRIPTION | DATE | APVD |
| 3 | | UPDATED | 04SEP2018 | MM MM |
| A | | REVISED PER ECR-18-017862 | 22NOV2018 | SR DD |



2328823-1 AND 1-2328823-1
SHOWN



2328823-2 AND 1-2328823-2
SHOWN



2328823-3 AND 1-2328823-3
SHOWN

NOTES:

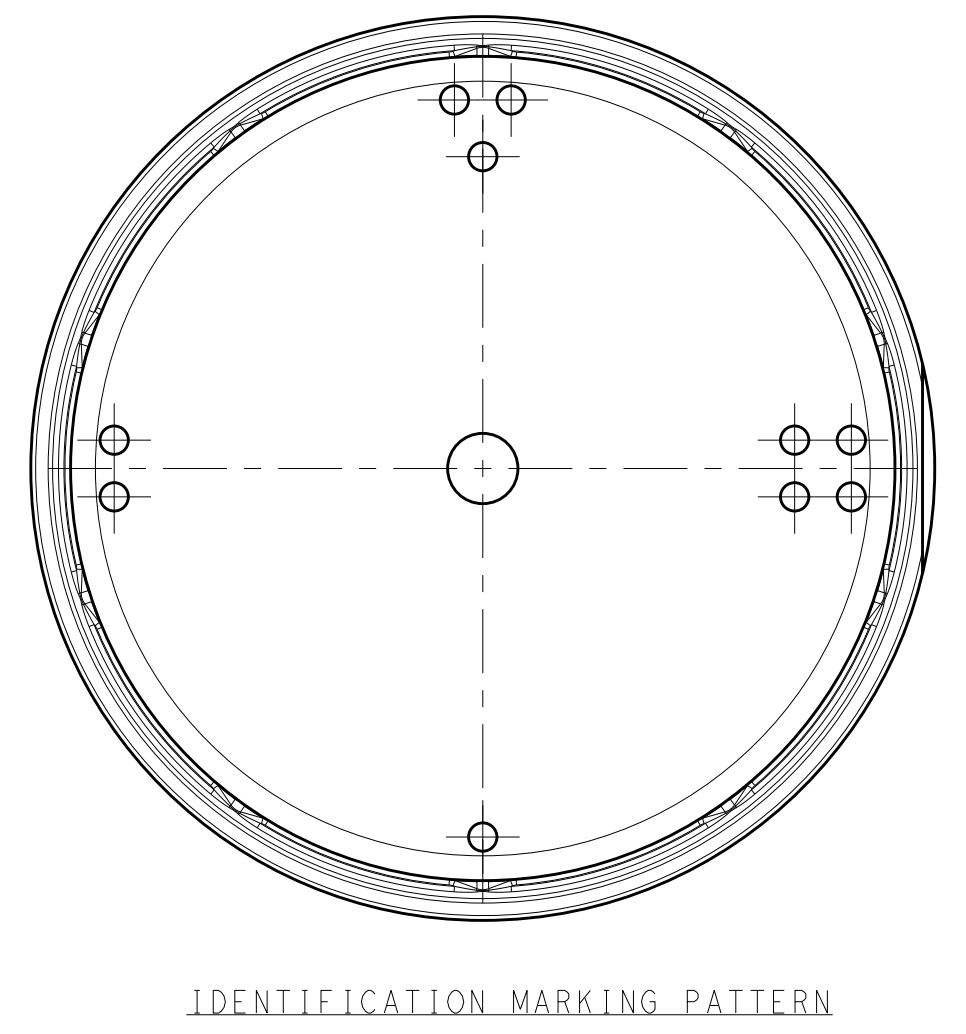
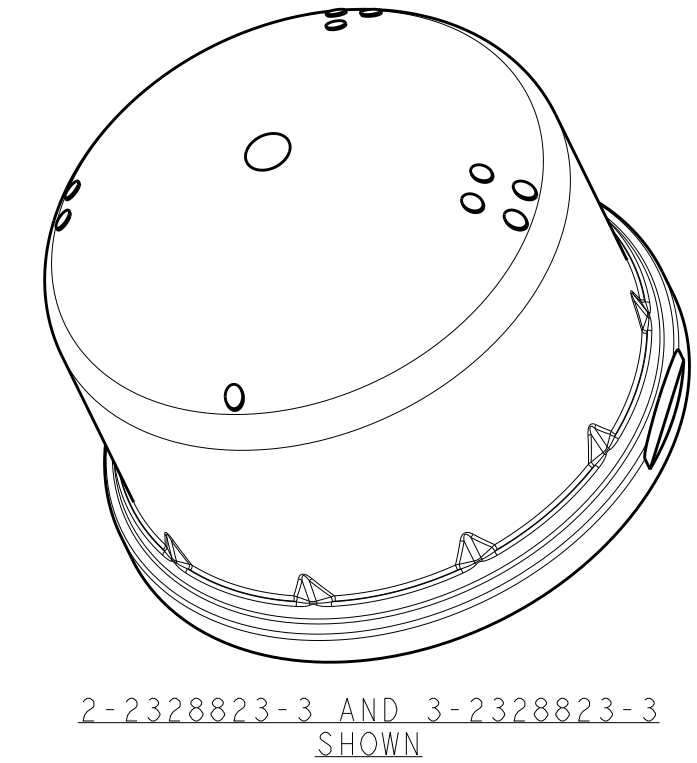
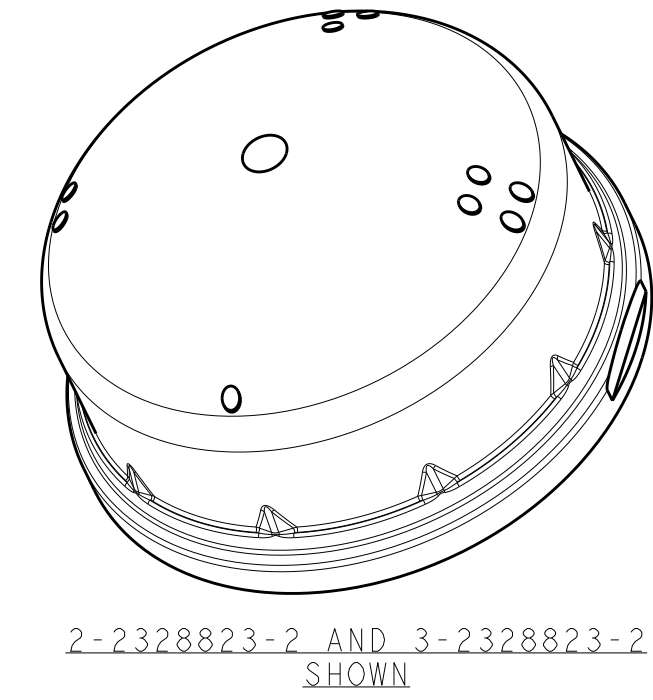
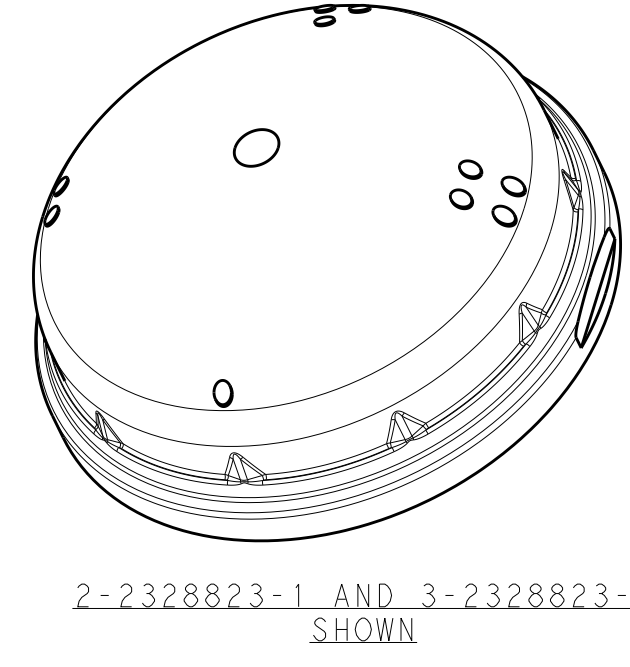
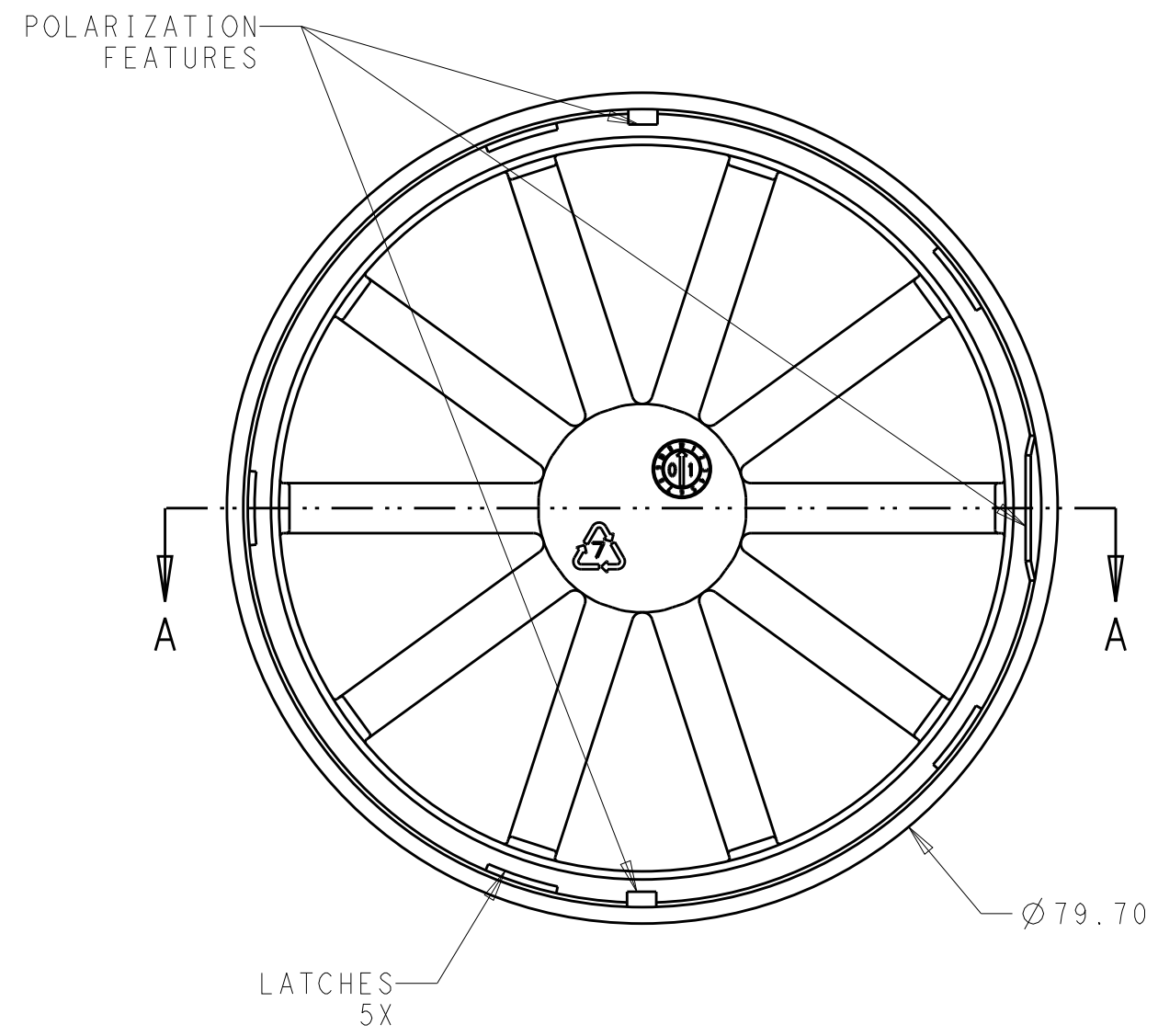
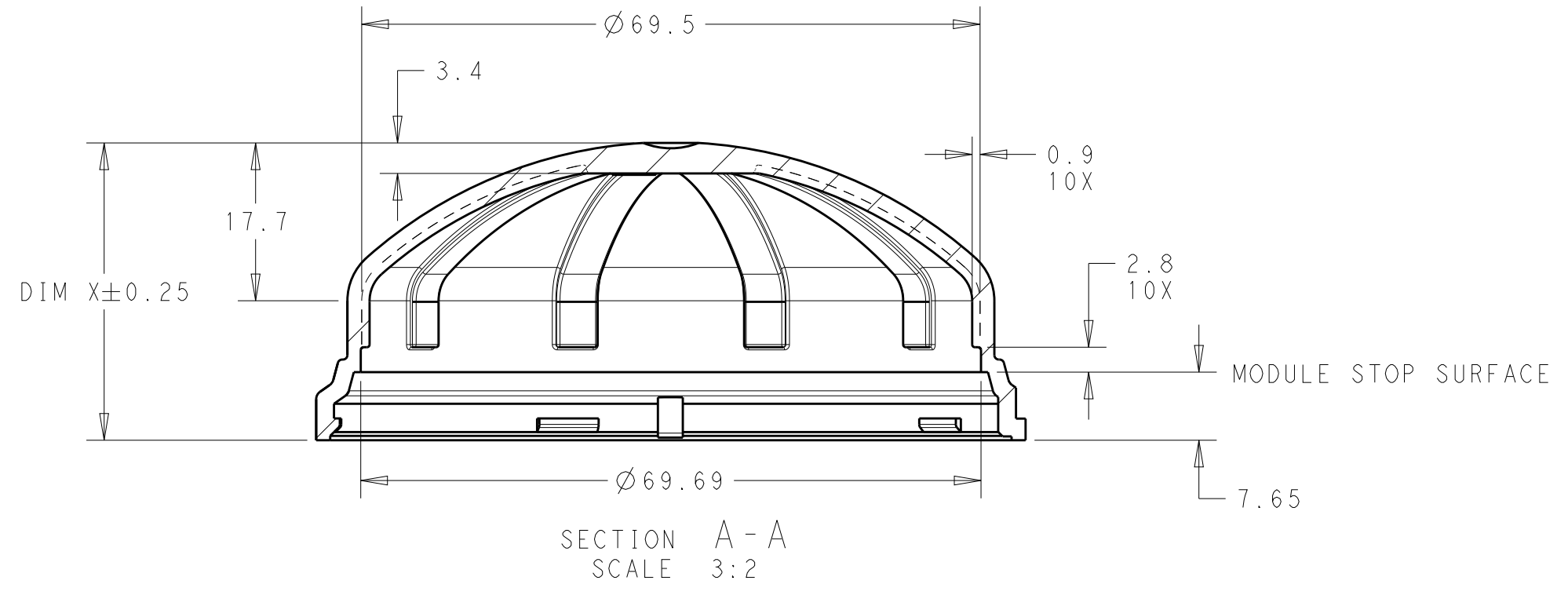
- 1. MATERIAL: -POLYCARBONATE COLOR: SEE TABLE
- 2. MUST COMPLY WITH DIRECTIVE 2002/95/EC (ROHS)
- 3. THIS PRODUCT HAS NOT COMPLETED VALIDATION TESTING
- 4. MODULE BASE TE P/N: 2213831-1

| IDENTIFICATION MARKINGS | APPROX. LIGHT TRANSMISSION | COLOR | DIM X | PART NO. |
|-------------------------|----------------------------|-------------------|-------|-------------|
| YES | 78 | TRANSPARENT CLEAR | 58.43 | 3-2328823-3 |
| YES | 78 | TRANSPARENT CLEAR | 43.43 | 3-2328823-2 |
| YES | 78 | TRANSPARENT CLEAR | 33.43 | 3-2328823-1 |
| YES | 24 | TRANSPARENT SMOKE | 58.43 | 2-2328823-3 |
| YES | 24 | TRANSPARENT SMOKE | 43.43 | 2-2328823-2 |
| YES | 24 | TRANSPARENT SMOKE | 33.43 | 2-2328823-1 |
| NO | 78 | TRANSPARENT CLEAR | 58.43 | 1-2328823-3 |
| NO | 78 | TRANSPARENT CLEAR | 43.43 | 1-2328823-2 |
| NO | 78 | TRANSPARENT CLEAR | 33.43 | 1-2328823-1 |
| NO | 24 | TRANSPARENT SMOKE | 58.43 | 2328823-3 |
| NO | 24 | TRANSPARENT SMOKE | 43.43 | 2328823-2 |
| NO | 24 | TRANSPARENT SMOKE | 33.43 | 2328823-1 |

| | | | | |
|--|--|--------------------------------|--|--|
| THIS DRAWING IS A CONTROLLED DOCUMENT. | | DWN C. DAILY 10JAN2018 | TE Connectivity | |
| | | CHK M. STOLLER 10JAN2018 | | |
| DIMENSIONS: mm | | APVD - | NAME DOME, LUMAWISE ENDURANCE S, 80mm | |
| TOLERANCES UNLESS OTHERWISE SPECIFIED: | | PRODUCT SPEC 108-133073 | SIZE A200779 | |
| 0 PLC ± | | APPLICATION SPEC 114-133074 | DRAWING NO C-2328823 | |
| 1 PLC ±0.2 | | WEIGHT - | RESTRICTED TO - | |
| 2 PLC ±0.10 | | CUSTOMER DRAWING | SCALE 1:1 SHEET 1 OF 2 REV A | |
| 3 PLC ± | | | | |
| 4 PLC ± | | | | |
| ANGLES ±1° | | | | |
| FINISH | | | | |
| MATERIAL SEE TABLE | | | | |

THIS DRAWING IS UNPUBLISHED. RELEASED FOR PUBLICATION
 © COPYRIGHT copyright.dble- ALL RIGHTS RESERVED.

| REVISIONS | | | | |
|-----------|-----|-------------|------|------|
| P | LTR | DESCRIPTION | DATE | APVD |
| - | - | SEE SHEET 1 | - | - |
| | | | | |
| | | | | |



| | | | | |
|--|--|--|----------------------------|--|
| THIS DRAWING IS A CONTROLLED DOCUMENT. | | DWN C. DAILY 10 JAN 2018 | STE TE Connectivity | |
| | | CHK M. STOLLER 10 JAN 2018 | | |
| DIMENSIONS: mm | | TOLERANCES UNLESS OTHERWISE SPECIFIED: | | NAME DOME, LUMAWISE ENDURANCE S, 80mm |
| 0 PLC ± | | 1 PLC ±0.2 | | PRODUCT SPEC 108-133073 |
| 1 PLC ±0.10 | | 2 PLC ± | | APPLICATION SPEC 114-133074 |
| 2 PLC ± | | 3 PLC ± | | SIZE A200779 |
| 3 PLC ± | | 4 PLC ± | | CAGE CODE C-2328823 |
| 4 PLC ± | | ANGLES ±1° | | DRAWING NO C-2328823 |
| FINISH | | MATERIAL SEE TABLE | | RESTRICTED TO - |
| | | WEIGHT - | | SCALE 1:1 |
| | | CUSTOMER DRAWING | | SHEET 2 OF 2 |
| | | | | REV A |

X-ON Electronics

Largest Supplier of Electrical and Electronic Components

Click to view similar products for [LED Lighting Lenses](#) category:

Click to view products by [TE Connectivity](#) manufacturer:

Other Similar products are found below :

[LL01ED-AK40L06](#) [LL01ZZ-EX25L06-M2](#) [180182-0000](#) [FNP-N2-N083-0R NRW](#) [LL01ED-ALI55R49](#) [0190535300](#) [0410111300](#)
[0510113303](#) [0530997](#) [2710121](#) [C11004_TINA2-RS](#) [C12231_LENA-FRESNEL-LENS](#) [LL01ED-AKY24R49](#) [LL01CR-AYG15R49](#)
[LL01CR-OT32L06-M2](#) [LL01ZZ-AAA24L49](#) [LL01CR-CEN38L02](#) [LL01ZZ-AAA55L49](#) [LL01CR-AYG24R49](#) [LL01A00CZMB2-M2](#)
[LL01ED-AKY38R49](#) [LL01CR-CNE2545L06-M2](#) [LL01ZZ-AAA38L49](#) [LL01ED-AKV36R49](#) [LL01ED-ALI24R49](#) [LL01CR-AYG38R49](#)
[FN15973_RONDA-REC-60-C](#) [FP-MS-11.5](#) [F16859_LINDA-ZT25](#) [C14169_LENA-CLEAR-LENS](#) [C16125_OLGA-W](#) [C17410_SPORT-](#)
[2X2-FT6](#) [C17414_SPORT-2X2-S6](#) [C17409_SPORT-2X2-FT6W](#) [C17360_SPORT-2X2-FT60](#) [C17434_ILONA-WW](#) [F16636_LINDA-W60](#)
[10003](#) [10003/15](#) [10048](#) [10049](#) [10108](#) [CP10960_RGBX-SS](#) [CP12395_LXP3-W](#) [10415](#) [10510](#) [1-1000288-0](#) [F14487_FLORENCE-1R-](#)
[MAXI-WG](#) [12667](#) [C14165_STRADA-2X2-ME-WIDE2](#)