

# Molded Parts Customer Drawing

IF THIS DOCUMENT IS PRINTED IT BECOMES UNCONTROLLED.  
CHECK FOR THE LATEST REVISION.

Part Number : 234A011thru071

ECO No.: ECO-11-005139

## NOTES

- All dimensions are in  $\frac{\text{inches}}{\text{[millimeters]}}$  ;  $\frac{\text{lbs}}{\text{[gms]}}$
- Dimensions appearing in table are as follows:
  - As Supplied
  - After Unrestricted Recovery
- Coating is optional. As supplied dimensions appearing in table are for uncoated parts. When coating is added, entry diameters will be reduced by .06 max.
- Molding ports are optional. When -00 modification number is specified molding ports will be located as shown.
- Weight shown in table of dimensions is based on polyolefin part.
- \*\*6. /180 coating is only available on 234A011, 234A021 and 234A032. Contact factory for additional sizes.

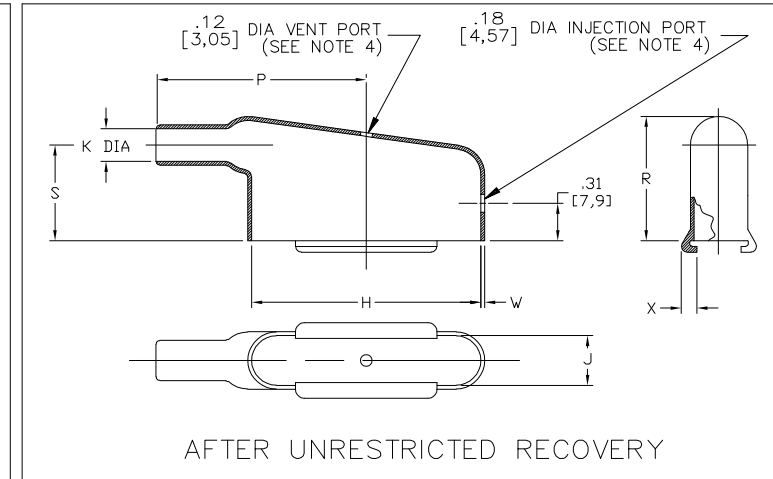
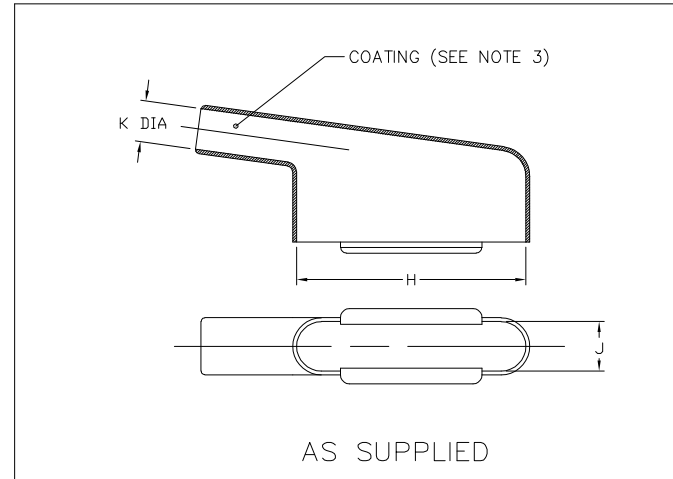


TABLE OF DIMENSIONS

PART NUMBER	H		J		K		P	R	S	W	X	Weight Nom b	This Boot Fits Cannon-Cinch
	±5% a	±5% b	±5% a	±5% b	Min a	Max b							
** 234A011	$\frac{.80}{[20,3]}$	$\frac{.80}{[20,3]}$	$\frac{.42}{[10,7]}$	$\frac{.42}{[10,7]}$	$\frac{.31}{[7,9]}$	$\frac{.16}{[4,1]}$	$\frac{1.02}{[25,9]}$	$\frac{.85}{[21,6]}$	$\frac{.60}{[15,2]}$	$\frac{.04}{[1,02]}$	$\frac{.12}{[3,05]}$	$\frac{.0048}{[2,18]}$	DE-9
** 234A021	$\frac{1.11}{[28,2]}$	$\frac{1.11}{[28,2]}$	$\frac{.42}{[10,7]}$	$\frac{.42}{[10,7]}$	$\frac{.40}{[10,2]}$	$\frac{.21}{[5,3]}$	$\frac{1.21}{[30,7]}$	$\frac{.97}{[24,6]}$	$\frac{.73}{[18,5]}$	$\frac{.04}{[1,02]}$	$\frac{.12}{[3,05]}$	$\frac{.0059}{[2,68]}$	DA-15
** 234A032	$\frac{1.66}{[42,2]}$	$\frac{1.66}{[42,2]}$	$\frac{.42}{[10,7]}$	$\frac{.42}{[10,7]}$	$\frac{.55}{[14,0]}$	$\frac{.29}{[7,4]}$	$\frac{1.69}{[42,9]}$	$\frac{1.10}{[27,9]}$	$\frac{.87}{[22,1]}$	$\frac{.04}{[1,02]}$	$\frac{.12}{[3,05]}$	$\frac{.0102}{[4,63]}$	DB-25
234A042	$\frac{2.31}{[58,7]}$	$\frac{2.31}{[58,7]}$	$\frac{.42}{[10,7]}$	$\frac{.42}{[10,7]}$	$\frac{.68}{[17,3]}$	$\frac{.34}{[8,6]}$	$\frac{2.10}{[53,3]}$	$\frac{1.20}{[30,5]}$	$\frac{1.00}{[25,4]}$	$\frac{.04}{[1,02]}$	$\frac{.12}{[3,05]}$	$\frac{.0132}{[5,99]}$	DC-37
234A052	$\frac{2.28}{[57,9]}$	$\frac{2.28}{[57,9]}$	$\frac{.54}{[13,7]}$	$\frac{.54}{[13,7]}$	$\frac{.75}{[19,1]}$	$\frac{.42}{[10,7]}$	$\frac{2.20}{[55,9]}$	$\frac{1.27}{[32,3]}$	$\frac{1.00}{[25,4]}$	$\frac{.04}{[1,02]}$	$\frac{.12}{[3,05]}$	$\frac{.0152}{[6,90]}$	DD-50
234A061	$\frac{.80}{[20,3]}$	$\frac{.80}{[20,3]}$	$\frac{.42}{[10,7]}$	$\frac{.42}{[10,7]}$	$\frac{.31}{[7,9]}$	$\frac{.15}{[3,8]}$	$\frac{1.02}{[25,9]}$	$\frac{.73}{[18,5]}$	$\frac{.48}{[12,2]}$	$\frac{.04}{[1,02]}$	$\frac{.12}{[3,05]}$	$\frac{.0045}{[2,04]}$	DE-9
234A071	$\frac{1.11}{[28,2]}$	$\frac{1.11}{[28,2]}$	$\frac{.42}{[10,7]}$	$\frac{.42}{[10,7]}$	$\frac{.40}{[10,2]}$	$\frac{.20}{[5,1]}$	$\frac{1.21}{[30,7]}$	$\frac{.78}{[19,8]}$	$\frac{.53}{[13,5]}$	$\frac{.04}{[1,02]}$	$\frac{.12}{[3,05]}$	$\frac{.0056}{[2,54]}$	DA-15



Raychem Molded Parts  
300 CONSTITUTION DRIVE  
MENLO PARK, CALIFORNIA 94025

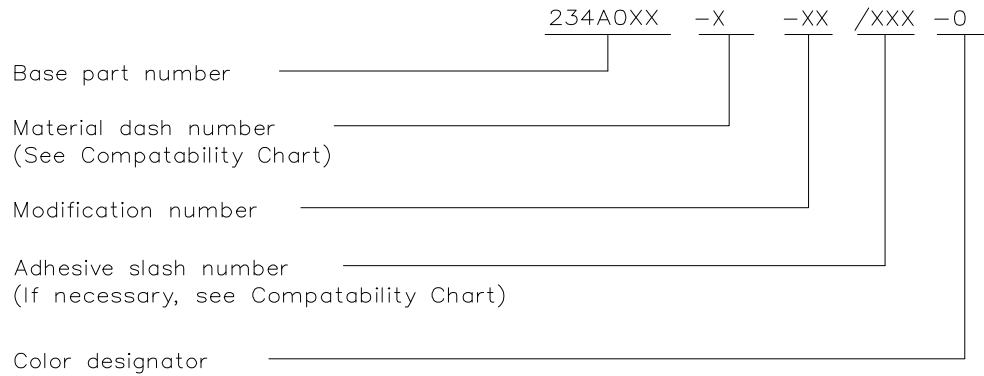
Revision : R1  
Date : 20APR11  
Page 1 of 2

Description : Boot, Rectangular  
Subminiature, 90 DEGREE  
End Entry

COMPATABILITY CHART					
MATERIAL DASH NO.	MATERIAL DESCRIPTION	RT SPEC	COATING SLASH NO.	COATING S NO.	COATING DESCRIPTION
-3	Polyolefin, Semi-rigid	RT-301	/42;/86,**/180,/184	S-1017;S-1048	Adhesive
-4	Polyolefin, Flexible	RT-1304	/42;/86,**/180,/184	S-1017;S-1048	Adhesive
-8	Polyolefin, Space	RT-1308	N/A		
-12	*VITON, Flexible	RT-1312	N/A		
-25	Elastomer, Fluid Resistant	RT-1325	/86;/225	S-1048;S-1206	Adhesive
-100	Polyolefin, Semi-flexible ZEROHAL™	RT-1323	/86 : **/180;/184	S-1048;S-1030	Adhesive

\*VITON is a Registered Trademark of Dupont

ORDERING INFORMATION



THIS DRAWING IS SUBJECT TO CHANGE WITHOUT NOTICE; CONSULT YOUR  
NEAREST FIELD REPRESENTATIVE FOR CURRENT REVISION



Raychem Molded Parts  
300 CONSTITUTION DRIVE  
MENLO PARK, CALIFORNIA 94025

Revision : R1  
Date : 20APR11  
Page 2 of 2

## X-ON Electronics

Largest Supplier of Electrical and Electronic Components

*Click to view similar products for [Cable Boots](#) category:*

*Click to view products by [TE Connectivity](#) manufacturer:*

Other Similar products are found below :

[618235-000](#) [622A014-3-0](#) [CX4132-000](#) [879103-4](#) [879515-000](#) [889092](#) [982033-2](#) [R280576000](#) [1300830729](#) [MTPSRBCL-C](#) [1811481-1](#)  
[200W531-3-0](#) [202A121-386-0](#) [202A142-4-00/42-0](#) [202A163-4-0-CS5067](#) [202B221-13-0](#) [202B231-13-0](#) [202B563-25-07-0](#)  
[202C621710CS5361](#) [202D132-4-07/42-0](#) [202D221-4-0-CS5349](#) [202D221-4-26-0](#) [202D263-25-08-0](#) [202D263-4-22/42-0](#) [202D263-4-88-0](#)  
[202D921-2542-0](#) [202E336-71-0](#) [202F211-50-22-0-CS8474](#) [202F242-50-05-0](#) [202F242-51-04/164-0](#) [202K121-25-CS-1858-0](#) [202K121-25-](#)  
[CS-2062-0](#) [202K132-25-01/225-0CS8387](#) [202K153-3-0186-0](#) [202S132-25-UP-0](#) [203W301-3/42-0](#) [207W613-100/184-0-CS5657](#) [207W623-](#)  
[100-01/184-0](#) [207W634-100/184-0-CS5657](#) [207W656-100-01/184-0](#) [207W667-100-01/184-0](#) [207W667-100/184-0](#) [208A011-3-0](#) [208A021-3-](#)  
[0](#) [221A011-51164-0-CS7133](#) [222A121-2586](#) [222A152-342-0](#) [222A213-25-0-CS5613](#) [222D221-25-13/86-0](#) [222D232-4-61-0-CS5078](#)