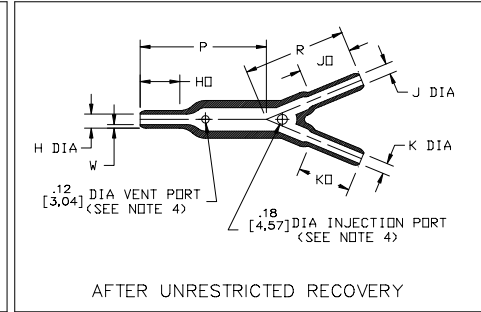
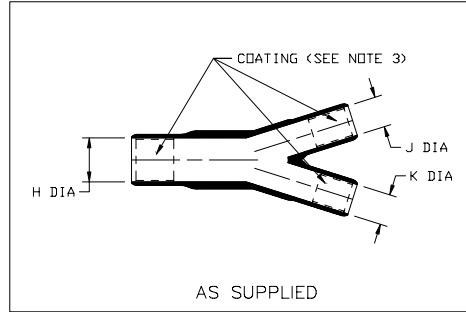


# Molded Parts Specification Control Drawing

Part Number : 381A015  
Description : Transition, Y

## NOTES

- All dimensions are in  $\frac{\text{inches}}{\text{[millimeters]}}$
- Dimensions appearing in table are as follows:
  - a - As Supplied
  - b - After Unrestricted Recovery
- Coating is optional. As supplied dimensions appearing in table are for uncoated parts. When coating is added, entry diameters will be reduced by .06 max.
- Molding ports are optional. When -00 modification number is specified molding ports will be located as shown.



| PART NUMBER | H             |              | J & K         |              | P              | R              | HO             | JO&KO          | W             | C        |
|-------------|---------------|--------------|---------------|--------------|----------------|----------------|----------------|----------------|---------------|----------|
|             | Min<br>a      | Max<br>b     | Min<br>a      | Max<br>b     | ±10%<br>b      | ±10%<br>b      | ±10%<br>b      | ±10%<br>b      | ±25%<br>b     | ±5°<br>b |
| 381A015     | .68<br>[17,2] | .31<br>[7,8] | .44<br>[11,1] | .31<br>[7,8] | 3.25<br>[82,6] | 2.50<br>[63,5] | 1.00<br>[25,4] | 1.19<br>[30,2] | .085<br>[2,1] | 22.5°    |

**tyco**/Electronics  
TYCO ELECTRONICS  
307 CONSTITUTION DRIVE  
MENLO PARK, CALIFORNIA 94025

Revision : K  
Date : 6/17/02

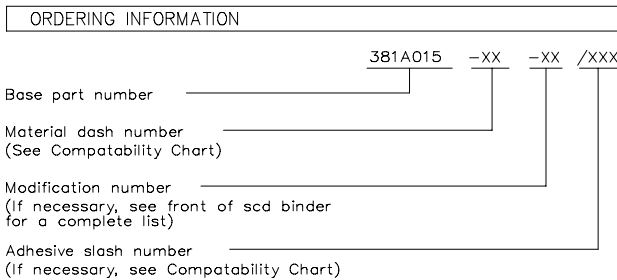
Part Number : 381A015  
Description : Transition, Y

# Molded Parts Specification Control Drawing

Part Number : 381A015  
Description : Transition, Y

| MATERIAL DASH NO. | MATERIAL DESCRIPTION       | RT SPEC | COATING SLASH NO. | COATING S NO. | COATING DESCRIPTION |
|-------------------|----------------------------|---------|-------------------|---------------|---------------------|
| -3                | Polyolefin, Semi-rigid     | RT-301  | /42,/86           | S-1017,S-1048 | Adhesive            |
| -4                | Polyolefin, Flexible       | RT-1304 | /42,/86           | S-1017,S-1048 | Adhesive            |
| -5                | Elastomer, Flexible        | RT-501  | N/A               |               |                     |
| -6                | Silicone                   | RT-602  | N/A               |               |                     |
| -12               | *VITON, Flexible           | RT-1312 | N/A               |               |                     |
| -25               | Elastomer, Fluid Resistant | RT-1325 | N/A               |               |                     |

\*VITON is a Registered Trademark of Dupont



THIS DRAWING IS SUBJECT TO CHANGE WITHOUT NOTICE; CONSULT YOUR NEAREST FIELD REPRESENTATIVE FOR CURRENT REVISION

**tyco**/Electronics  
TYCO ELECTRONICS  
307 CONSTITUTION DRIVE  
MENLO PARK, CALIFORNIA 94025

Revision : K  
Date : 6/17/02

Part Number : 381A015  
Description : Transition, Y

## X-ON Electronics

Largest Supplier of Electrical and Electronic Components

*Click to view similar products for [Heat Shrink Tubing and Sleeves](#) category:*

*Click to view products by [TE Connectivity](#) manufacturer:*

Other Similar products are found below :

[770-006S102](#) [5685710001](#) [CR8248-000](#) [CR9960-000](#) [603312-4](#) [607381P039](#) [611112-000](#) [617867N001](#) [6500750004](#) [CZ1420-000](#) [D-306-38](#)  
[770-007A303](#) [770-010Y106W1](#) [770-010Y706W1](#) [7771210001](#) [MFP-1/4"-Clear](#) [MFP-3/64"-Clear](#) [790-3012](#) [MFT-MT2000-NO.14-0-SP](#)  
[MHHT-4-15K2-G-104](#) [MIL-LT-1-1/2-4-SP](#) [MIL-LT-1-1/2-9-STK](#) [MIL-LT-1/2-2-STK](#) [MIL-LT-3-0-SP](#) [MIL-LT-3/32-0-SP](#) [MIL-LT-3/32-6-SP](#) [MIL-LT-3/4-6-SP](#) [MIL-LT-3/8-0-SP](#) [8159270001](#) [839602-000](#) [8423-6](#) [FP301-116-6"-Black](#) [FP301-1/2-48"-Black](#) [FP301-12-48"-Black-Hdr](#) [FP301-1/4-48"-Black](#) [FP301-1/4-48"-White-Hdr](#) [FP301-1-6"-Clear](#) [FP301-18-48"-Black-Hdr](#) [FP301-1/8-6"-Black](#) [FP301-18-6"-Black-Bulk](#) [FP301-316-48"-Blue-Hdr](#) [FP301-316-6"-Clear](#) [FP301-332-6"-Black](#) [912229N002](#) [120-126-16BL](#) [121-001-09](#) [121-018-32](#) [121-018-40](#)  
[121-123-1-1-32BTC](#) [121-123-1-1-40BTC](#)