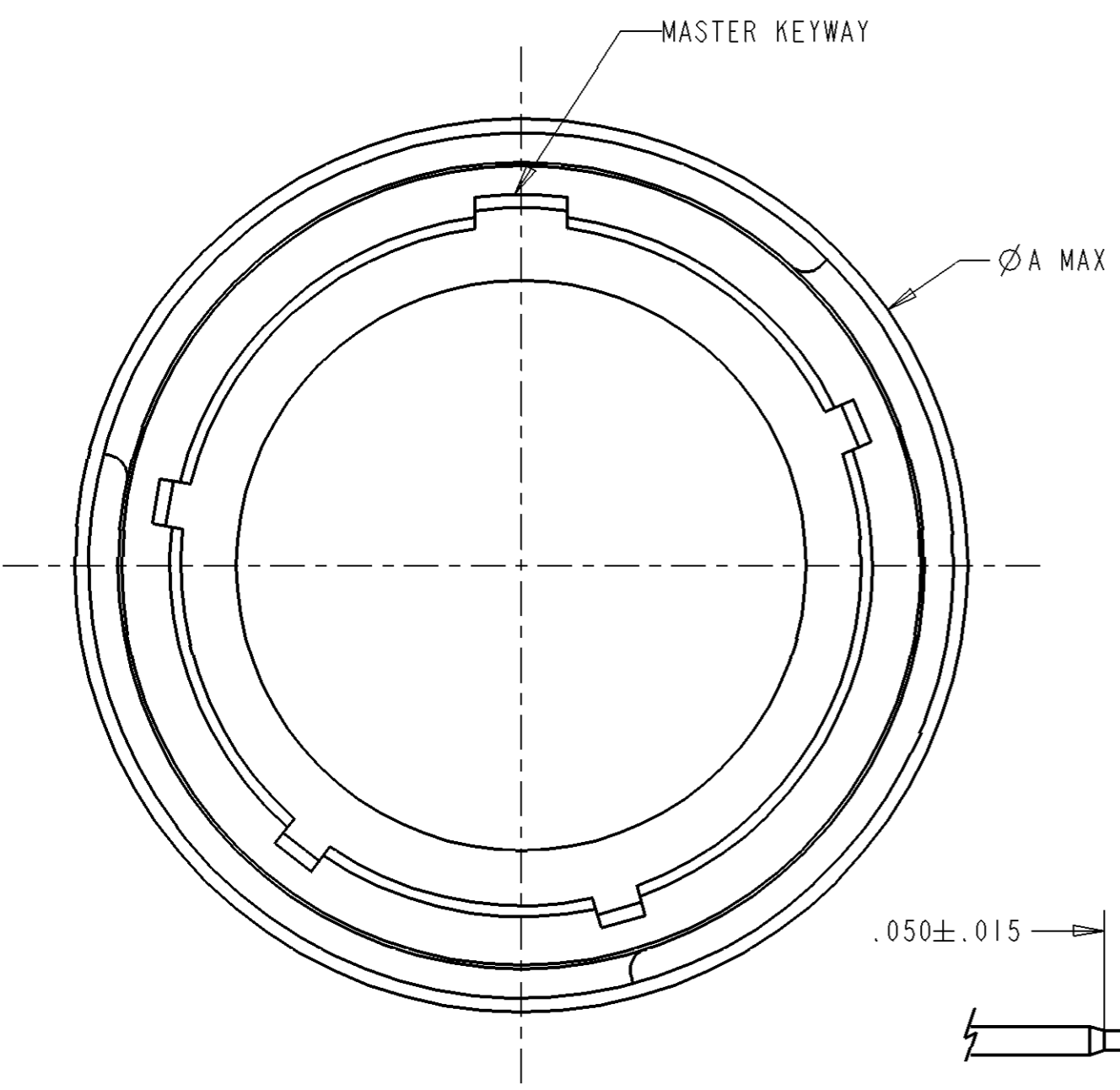


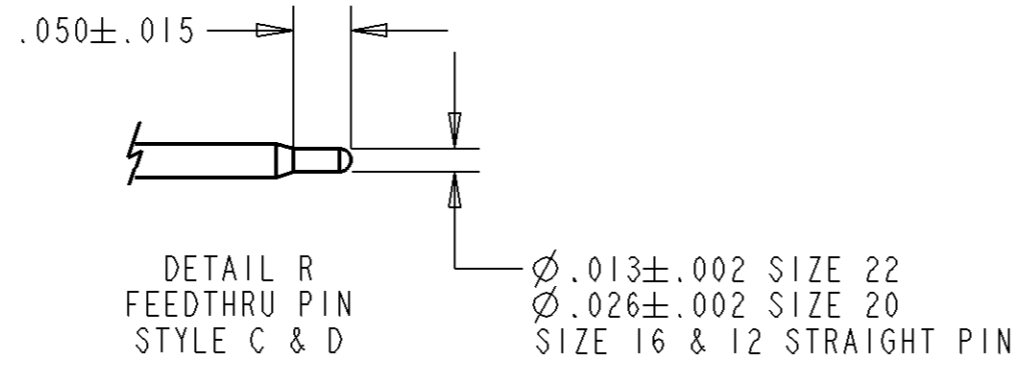
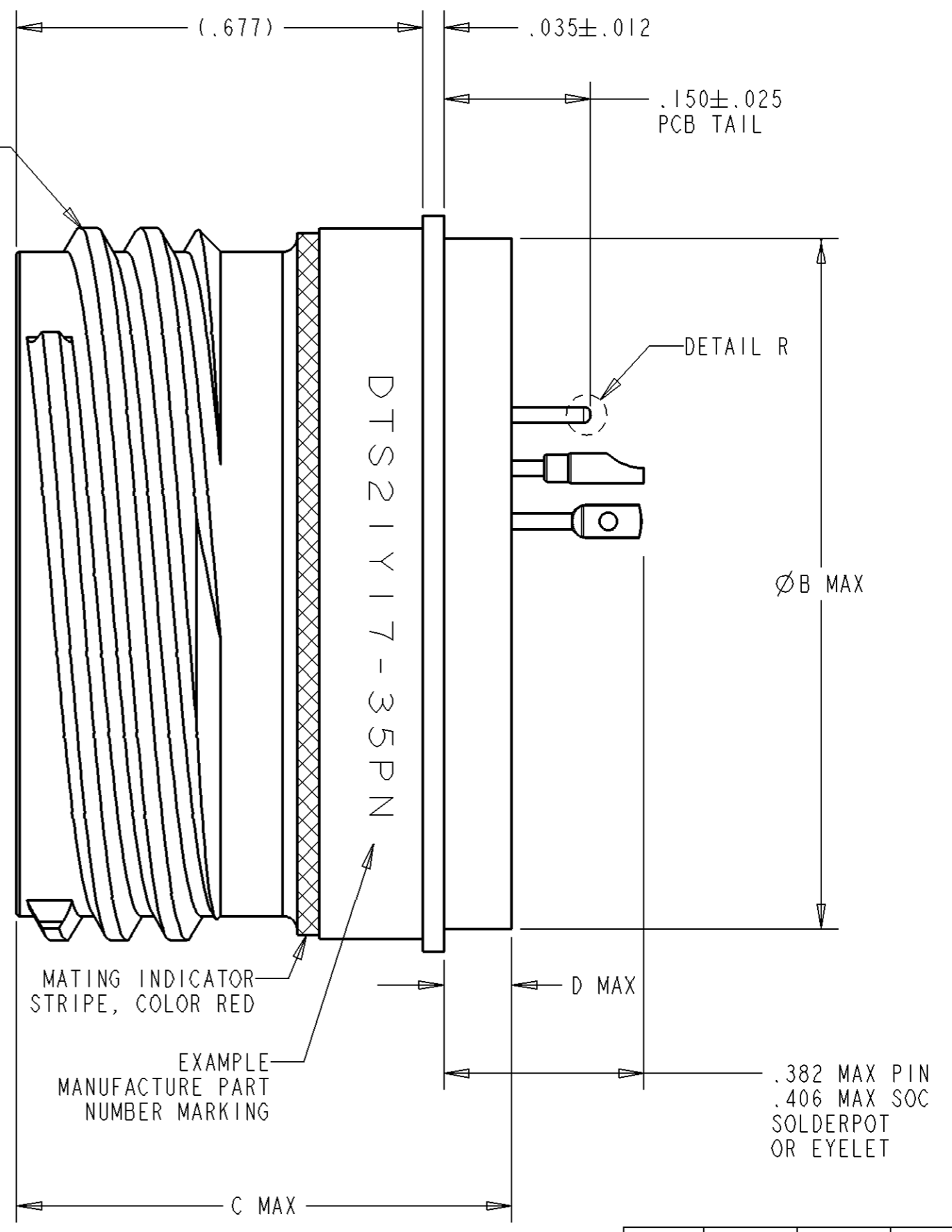
PROPERTY OF DEUTSCH D.A.O.
 THIS DRAWING CONTAINS PROPRIETARY INFORMATION THAT SHALL NOT BE DISCLOSED, DUPLICATED,
 NOR USED IN WHOLE OR IN PART FOR ANY PURPOSE OTHER THAN TO EVALUATE THIS DRAWING.

N/C DTS21***-****

REVISIONS			
REV	DESCRIPTIONS	DATE	APPROVED
N/C	NEW RELEASE PER E.O.H4626	100802	ma



STUB 60° MOD
 TRIPLE START THREAD
 "E"-.1P-.3L CLASS 2A
 (SEE COLUMN "E THREAD")



PART NUMBER BREAKDOWN: DTS 21 Y 17-35 P N

- SHELL KEYING POSITIONS: N, A, B, C, D OR E
- CONTACT PIN STYLE: P = SOLDERCUP, X = EYELET, C = PCB PIN
CONTACT SOC STYLE: S = SOLDERCUP, Z = EYELET, D = PCB PIN
- INSERT ARRANGEMENT
- SHELL SIZE: 9, 11, 13, 15, 17, 19, 21, 23, OR 25
- CLASS: N = NICKEL PLATE OVER STAINLESS STEEL
Y = ELECTRO- POLISHED STAINLESS STEEL
- SHELL MOUNTING STYLE: 21 = SOLDER FLANGE MOUNT
- BASIC IDENTIFER: 38999 SERIES III HERMETIC RECEPTACLE

SHELL SIZE	A	B	C	D	E THREAD
9	.764	.673	.937	.201	.6250
11	.858	.783	.937	.201	.7500
13	.980	.909	.937	.201	.8750
15	1.106	1.031	.937	.201	1.0000
17	1.232	1.157	.937	.201	1.1875
19	1.323	1.252	.937	.201	1.2500
21	1.449	1.378	.937	.201	1.3750
23	1.575	1.504	.968	.232	1.5000
25	1.701	1.626	.968	.232	1.6250

FILE: DTS21XXX-XXXX-ENV

1. DIMENSIONS ARE IN INCHES UNLESS OTHERWISE NOTED.
2. INSERT ARRANGEMENT CONFORMS TO MIL-STD-1560.
3. THE INSERT ARRANGEMENT DOSE NOT ROTATE WITH MASTER KEYWAY.
4. FINISH: SHELL - ELECTRO POLISH
PIN CONTACTS - GOLD OVER NICKEL
5. MATERIAL: SHELL - 300 SERIES STAINLESS STEEL
PIN CONTACTS - HIGH NICKEL IRON ALLOY OR EQUIVALENT
GLASS - COMPRESSION GLASS
PIN INSERT & INTERNAL SEAL - FLUOROSILICONE ELASTOMER
6. MATES WITH DTS26 SERIES PLUG CONNECTOR.
7. CONNECTOR MEETS REQUIREMENTS OF MIL-DTL-38999 SERIES III.
8. CONSULT CUSTOMER SERVICE FOR ARRANGEMENT AVAILABILITY.

NOTE(S):

SIGNATURE & DATE	
DR	S.LUI 100729
CHK	M.ALLEN 100802
PE	
APPD	A.RENGIFO 100802
SCALE: NONE	

CONNECTOR, RECEPTACLE
 HERMETIC
 PIN UNIT
 SOLDER FLANGE MOUNT
 THREAD COUPLING
 MIL-DTL-38999/25

ENVELOPE

CP	MATL CODE 72
DEUTSCH ENGINEERED INTERCONNECT SOLUTIONS 250 Eddie Jones Way Oceanside, CA 92058	
C DWG SIZE	DTS21***-****
CAGE CODE 11139	SHEET 1 OF 1

X-ON Electronics

Largest Supplier of Electrical and Electronic Components

Click to view similar products for [Circular MIL Spec Connector](#) category:

Click to view products by [TE Connectivity](#) manufacturer:

Other Similar products are found below :

[89075GULPR](#) [0025-262-542](#) [0025-264-3014](#) [58-570121-04S](#) [0134-213-1208](#) [0134-213-2209](#) [0025-258-000](#) [60-042022-07P](#) [60-042022-19P](#)
[60-042022-23P](#) [60-042217-10P](#) [0114-201-1278](#) [012-0467-000](#) [602GB06EG24-61SN](#) [0134-201-1207](#) [0134-213-1006](#) [6104-207-2302](#) [6104-](#)
[208-1902](#) [61-168211-04P](#) [61-168617-10P](#) [6131-202-19149P](#) [6131-204-21149P](#) [6131-208-13149P](#) [6131-209-17149P](#) [6131-210-11149P](#) [6131-](#)
[211-19149P](#) [6131-216-19149P](#) [6131-259-21149P](#) [6131-259-23149P](#) [6131-265-17149P](#) [6131-265-19149P](#) [CS3100A18-1P-472](#) [CS3100A-36-](#)
[77P](#) [CS3101A-16-55P](#) [CS3102A-10SL-55P](#) [CS3102A-14S-58P](#) [CS3102A-32-17P](#) [CS3102A32-25S](#) [CS3102C18-4P-472](#)
[CS3106A10SL3S004](#) [CS3106A-18-73S](#) [CS3108A-14S-52S](#) [CS3108A-28-51S](#) [6162-233-1277](#) [6162-324-1231](#) [M243082296Z](#)
[M2884010AC1S1](#) [CT0-24-10SC](#) [CT0M20-7PCAU](#) [M28840/17AC1G3](#)