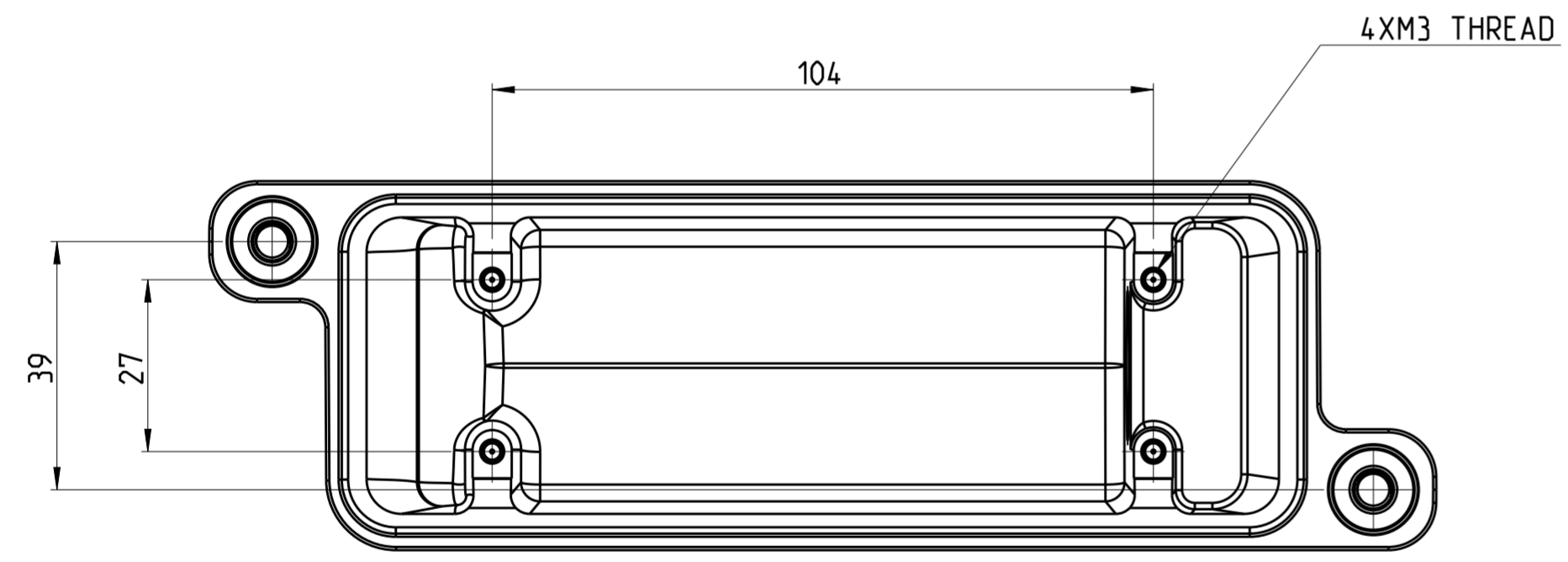
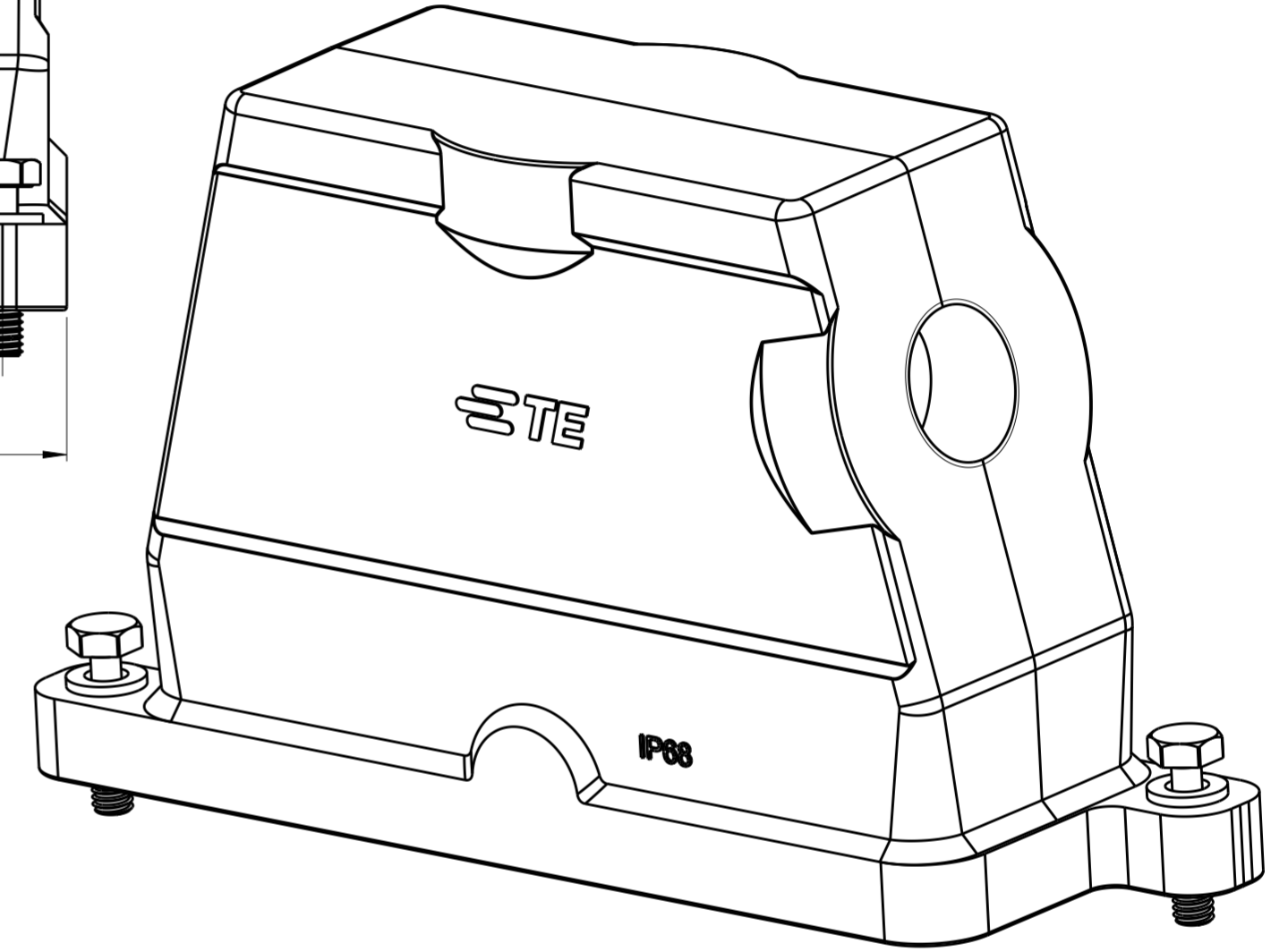
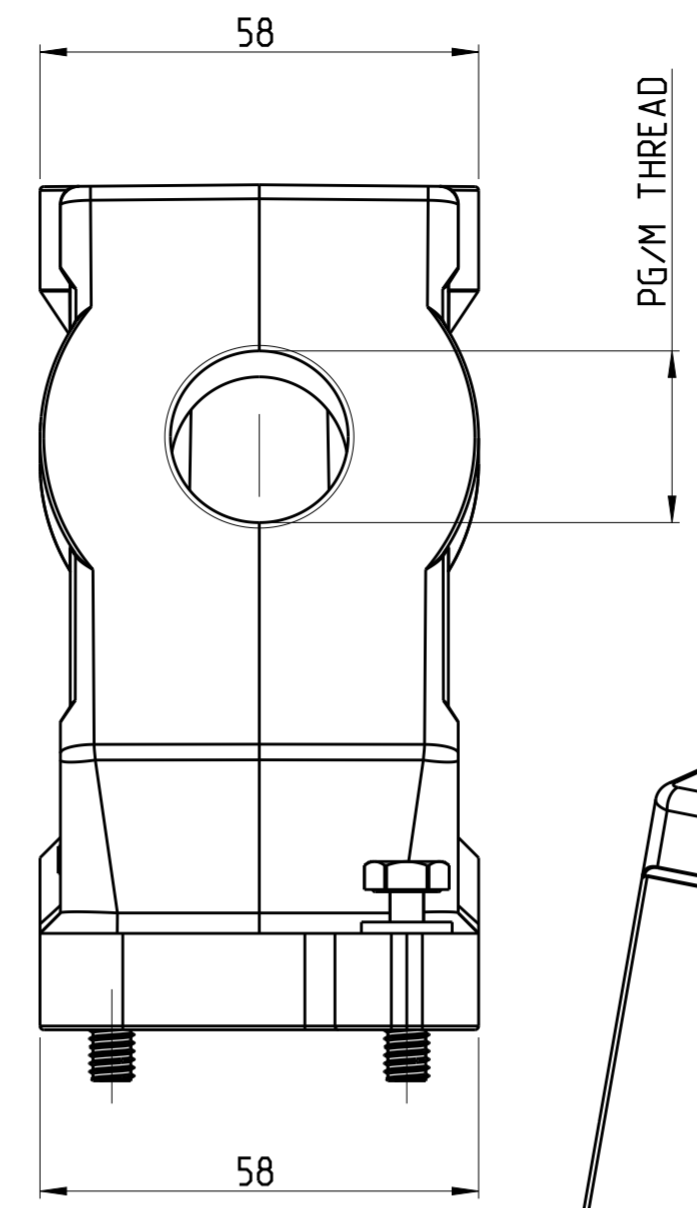
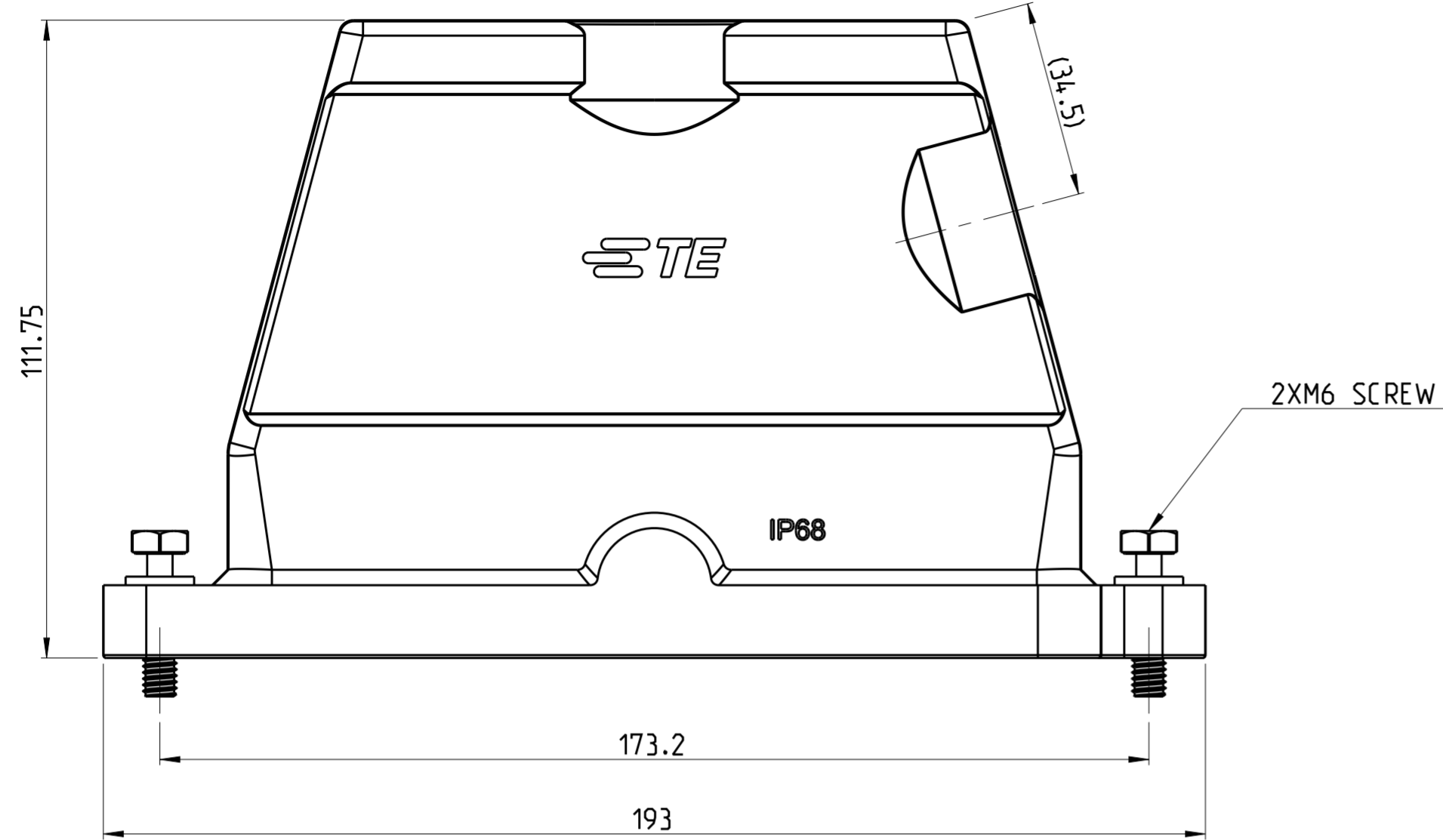


THIS DRAWING IS UNPUBLISHED. RELEASED FOR PUBLICATION 20
 © COPYRIGHT 20 BY - ALL RIGHTS RESERVED.

REVISIONS				
P	LTR	DESCRIPTION	DATE	APVD
	A	INITIAL	26Feb2015	GY CW



NOTES:
 I. TECHNICAL CHARACTERISTICS:
 HOOD MATERIAL: DIE CAST ALUMINIUM ALLOY
 SURFACE TREATMENT: SEE TABLE
 OPERATION TEMPERATURE: -40°C~+125°C
 DEGREE OF PROTECTION: IP68 (MATED)

注释
 I. 技术参数:
 壳体材料: 铝合金
 表面处理: 见表格
 工作温度: -40°C~+125°C
 防护等级: IP68 (配合)

T1910242150-000	POWDER COATED GRAY RAL7037	H24BPR-TSH-M50	M50
T1910241150-000	POWDER COATED SILVERGRAY RAL7001	H24BPR-TSH-M50	M50
T1910241140-000	POWDER COATED SILVERGRAY RAL7001	H24BPR-TSH-M40	M40
T1910241136-000	POWDER COATED SILVERGRAY RAL7001	H24BPR-TSH-PG36	PG36
T1910241132-000	POWDER COATED SILVERGRAY RAL7001	H24BPR-TSH-M32	M32
T1910241129-000	POWDER COATED SILVERGRAY RAL7001	H24BPR-TSH-PG29	PG29
T1910241125-000	POWDER COATED SILVERGRAY RAL7001	H24BPR-TSH-M25	M25
T1910241121-000	POWDER COATED SILVERGRAY RAL7001	H24BPR-TSH-PG21	PG21
T1910240150-000	POWDER COATED BLACK RAL9005	H24BPR-TSH-M50	M50
T1910240140-000	POWDER COATED BLACK RAL9005	H24BPR-TSH-M40	M40
T1910240136-000	POWDER COATED BLACK RAL9005	H24BPR-TSH-PG36	PG36
T1910240132-000	POWDER COATED BLACK RAL9005	H24BPR-TSH-M32	M32
T1910240129-000	POWDER COATED BLACK RAL9005	H24BPR-TSH-PG29	PG29
T1910240125-000	POWDER COATED BLACK RAL9005	H24BPR-TSH-M25	M25
T1910240121-000	POWDER COATED BLACK RAL9005	H24BPR-TSH-PG21	PG21
PART NUMBER	SURFACE TREATMENT	DESCRIPTION	THREAD PG/M

THIS DRAWING IS A CONTROLLED DOCUMENT.

DIMENSIONS: mm	TOLERANCES UNLESS OTHERWISE SPECIFIED:	DWN Gino.Yao 14Dec2014	 TE Connectivity NAME H24BPR-TSH-PG/M SIZE A2 CAGE CODE - DRAWING NO. C-T191024X1XX000 RESTRICTED TO - SCALE 1:1 SHEET 1 OF 1 REV A
		CHK Chris.Wang 14Dec2014	
		APVD Xiang.Xu 14Dec2014	
		PRODUCT SPEC 108-137014	
MATERIAL		APPLICATION SPEC 114-137014	
		WEIGHT -	
		Customer Drawing	

X-ON Electronics

Largest Supplier of Electrical and Electronic Components

Click to view similar products for [Heavy Duty Power Connectors](#) category:

Click to view products by [TE Connectivity](#) manufacturer:

Other Similar products are found below :

[1424439](#) [1424438](#) [09330062652](#) [2-8675P1](#) [605601-1](#) [6340G1](#) [6341G1](#) [6360G1](#) [6373G1](#) [6374g2](#) [6396G1](#) [647757-1](#) [66394-4](#) [6643411-1](#)
[6646058-2](#) [6646137-1](#) [6646138-1](#) [6646348-1](#) [6646479-1](#) [6646608-1](#) [6646786-1](#) [6646940-1](#) [6651091-1](#) [6651525-1](#) [6651529-1](#) [6651778-1](#)
[6651788-1](#) [696465-1](#) [696475-1](#) [73000005059](#) [73000005349](#) [73000005642](#) [73080255059](#) [73080965046](#) [765-15-0080A](#) [765-16-0080B](#)
[789.700-44](#) [789.700-54](#) [80-1010](#) [80-9](#) [827381-1](#) [829992-1](#) [902-77-02113](#) [PL00U-301-10D10](#) [PM103MOOLOO](#) [PM16S1620S32-50](#)
[PM212MOOLOO](#) [PM309FOOLOO](#) [PM324FOOLCH](#) [PMHPAF11S03](#)