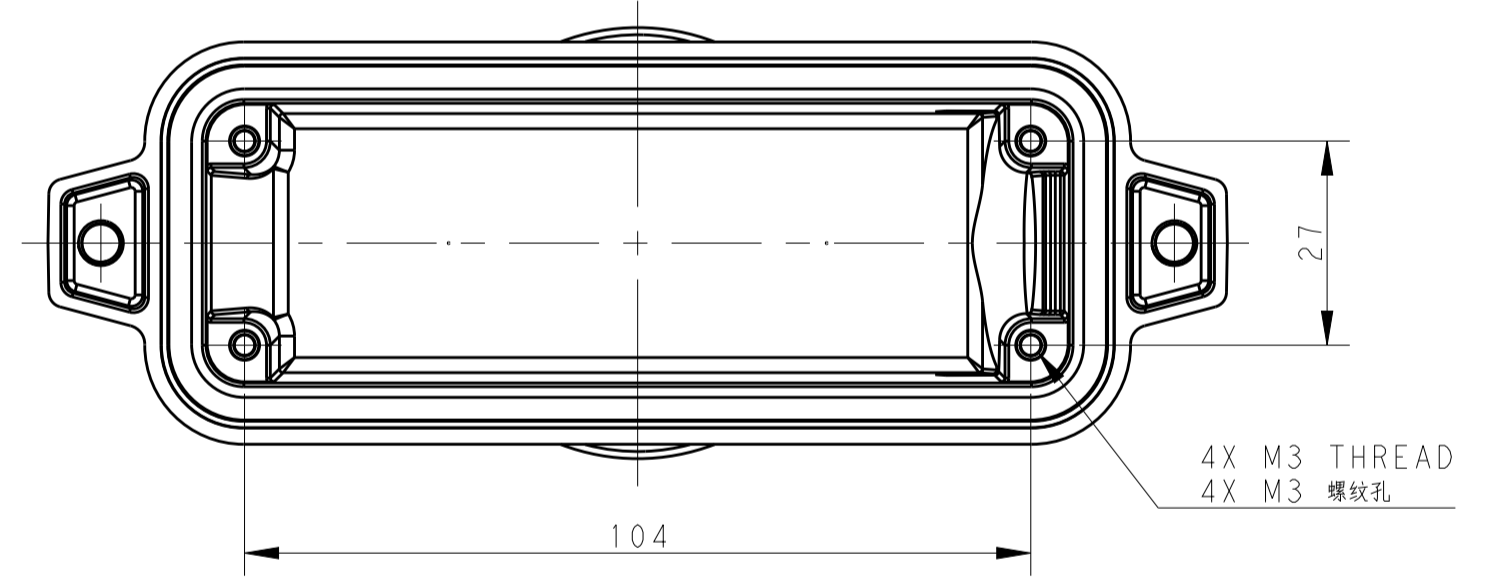
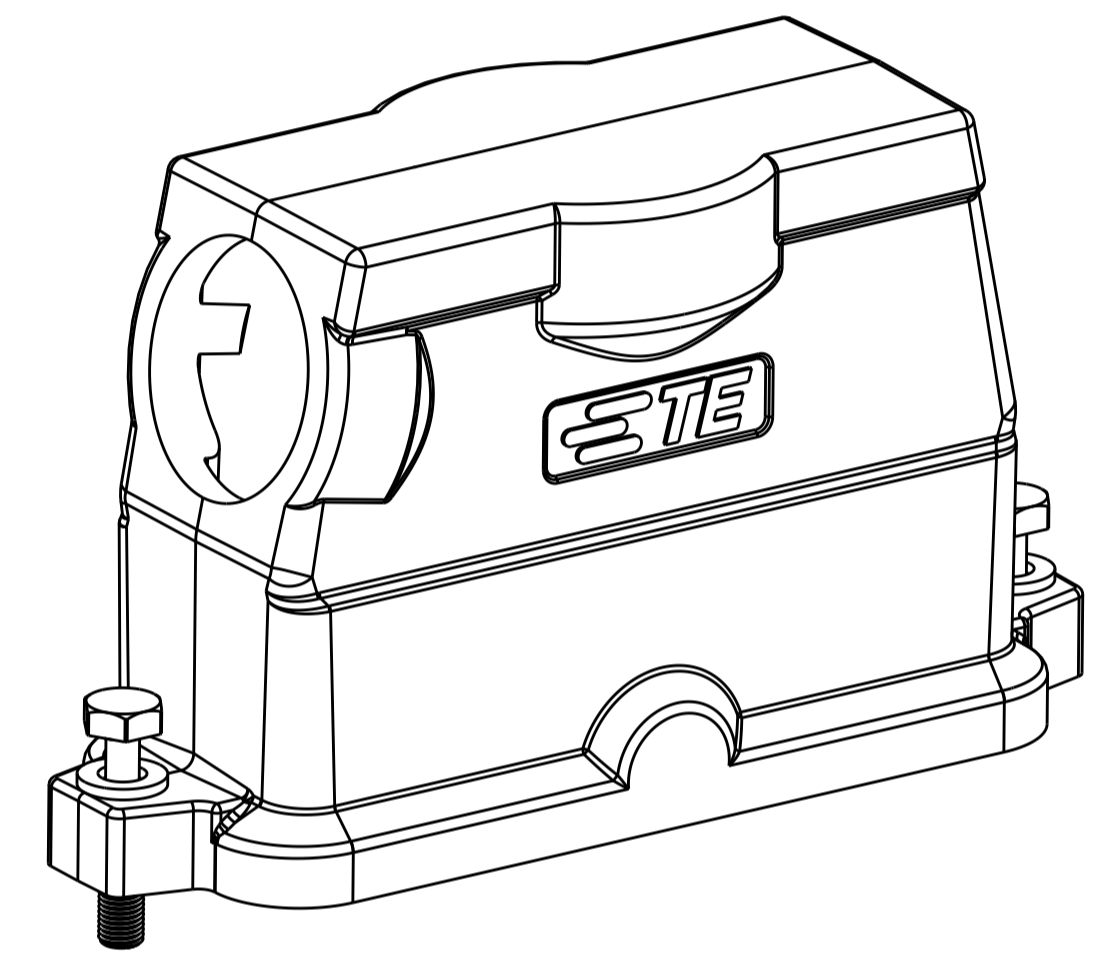
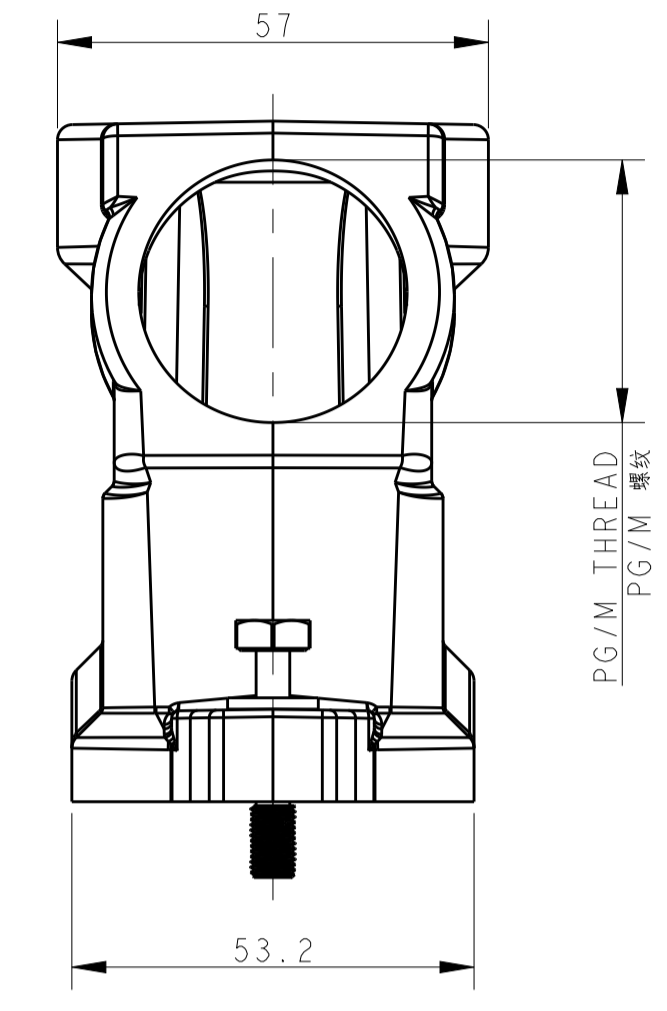
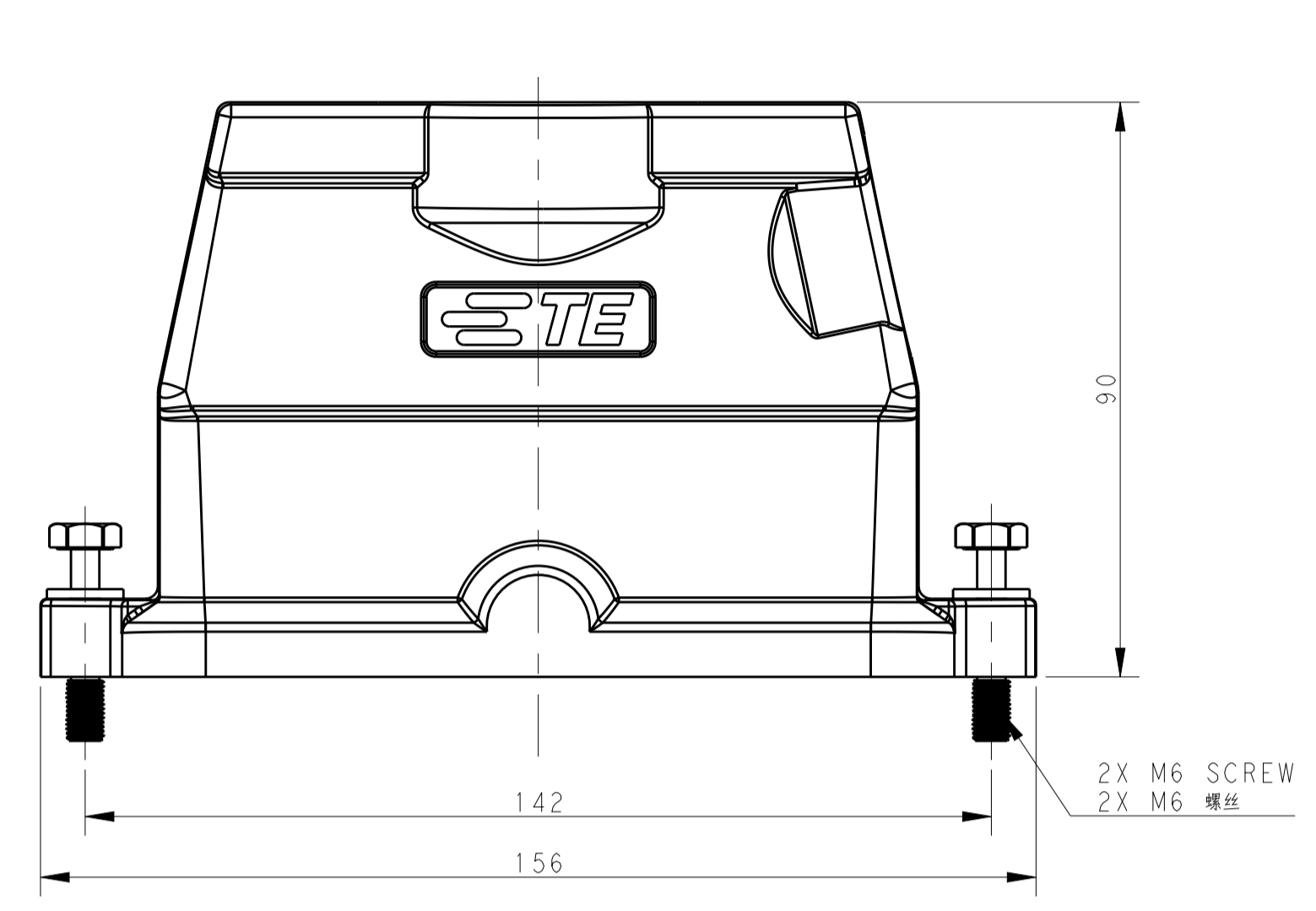


REVISIONS				
P	LTN	DESCRIPTION	DATE	OWN APVD
A		INITIAL RELEASE	07JUN2016	DW CW

NOTES:
 1. TECHNICAL CHARACTERISTICS:
 HOOD MATERIAL: DIE CAST ALUMINIUM ALLOY
 SURFACE: SEE TABLE
 DEGREE OF PROTECTION: IP68 (MATED)

注释:
 1. 技术参数:
 壳体材料: 铝合金
 表面处理: 见表格
 防护等级: IP68 (配合)



PART NUMBER 料号	DESCRIPTION 描述	PG/M THREAD PG/M 螺纹
T1912241140-009	H24BPR-TSHC-M40-EMC-C H24BPR HOOD,CENTER LOCKING,SIDE ENTRY M40,POWDER COATED,SILVER WHITE H24BPR中部锁定侧出上壳M40 银白色	M40
T1912241132-009	H24BPR-TSHC-M32-EMC-C H24BPR HOOD,CENTER LOCKING,SIDE ENTRY M32,POWDER COATED,SILVER WHITE H24BPR中部锁定侧出上壳M32 银白色	M32
T1912241129-009	H24BPR-TSHC-PG29-EMC-C H24BPR HOOD,CENTER LOCKING,SIDE ENTRY PG29,POWDER COATED,SILVER WHITE H24BPR中部锁定侧出上壳PG29 银白色	PG29
T1912241125-009	H24BPR-TSHC-M25-EMC-C H24BPR HOOD,CENTER LOCKING,SIDE ENTRY M25,POWDER COATED,SILVER WHITE H24BPR中部锁定侧出上壳M25 银白色	M25
T1912241121-009	H24BPR-TSHC-PG21-EMC-C H24BPR HOOD,CENTER LOCKING,SIDE ENTRY PG21,POWDER COATED,SILVER WHITE H24BPR中部锁定侧出上壳PG21 银白色	PG21
T1912240140-009	H24BPR-TSHC-M40-EMC-C H24BPR HOOD,CENTER LOCKING,SIDE ENTRY M40,POWDER COATED,BLACK H24BPR中部锁定侧出上壳M40 黑色	M40
T1912240132-009	H24BPR-TSHC-M32-EMC-C H24BPR HOOD,CENTER LOCKING,SIDE ENTRY M32,POWDER COATED,BLACK H24BPR中部锁定侧出上壳M32 黑色	M32
T1912240129-009	H24BPR-TSHC-PG29-EMC-C H24BPR HOOD,CENTER LOCKING,SIDE ENTRY PG29,POWDER COATED,BLACK H24BPR中部锁定侧出上壳PG29 黑色	PG29
T1912240125-009	H24BPR-TSHC-M25-EMC-C H24BPR HOOD,CENTER LOCKING,SIDE ENTRY M25,POWDER COATED,BLACK H24BPR中部锁定侧出上壳M25 黑色	M25
T1912240121-009	H24BPR-TSHC-PG21-EMC-C H24BPR HOOD,CENTER LOCKING,SIDE ENTRY PG21,POWDER COATED,BLACK H24BPR中部锁定侧出上壳PG21 黑色	PG21

THIS DRAWING IS A CONTROLLED DOCUMENT. TOLERANCES UNLESS OTHERWISE SPECIFIED:		OWN: DAVID WANG 07JUN2016 CHK: CHRIS WANG 07JUN2016 APVD: XIANG YU 07JUN2016	TE Connectivity	
DIMENSIONS:	mm	0 PLC ± 1 PLC ± 2 PLC ± 3 PLC ± 4 PLC ± ANGLES ±	PRODUCT SPEC 108-137191 APPLICATION SPEC 114-137191	NAME: H24BPR-TSHC-PG/M-EMC-C
MATERIAL:		FINISH:	WEIGHT:	SIZE: A1 CAGE CODE: - DRAWING NO: T191224XXXXX09 RESTRICTED TO: -
CUSTOMER DRAWING			SCALE: 1:1	SHEET 1 OF 1 REV A

X-ON Electronics

Largest Supplier of Electrical and Electronic Components

Click to view similar products for [Heavy Duty Power Connectors](#) category:

Click to view products by [TE Connectivity](#) manufacturer:

Other Similar products are found below :

[1424439](#) [1424438](#) [09330062652](#) [2-8675P1](#) [605601-1](#) [6340G1](#) [6341G1](#) [6360G1](#) [6373G1](#) [6374g2](#) [6396G1](#) [647757-1](#) [66394-4](#) [6643411-1](#)
[6646058-2](#) [6646137-1](#) [6646138-1](#) [6646348-1](#) [6646479-1](#) [6646608-1](#) [6646786-1](#) [6646940-1](#) [6651091-1](#) [6651525-1](#) [6651529-1](#) [6651778-1](#)
[6651788-1](#) [696465-1](#) [696475-1](#) [73000005059](#) [73000005349](#) [73000005642](#) [73080255059](#) [73080965046](#) [765-15-0080A](#) [765-16-0080B](#)
[789.700-44](#) [789.700-54](#) [80-1010](#) [80-9](#) [827381-1](#) [829992-1](#) [902-77-02113](#) [PL00U-301-10D10](#) [PM103MOOLOO](#) [PM16S1620S32-50](#)
[PM212MOOLOO](#) [PM309FOOLOO](#) [PM324FOOLCH](#) [PMHPAF11S03](#)