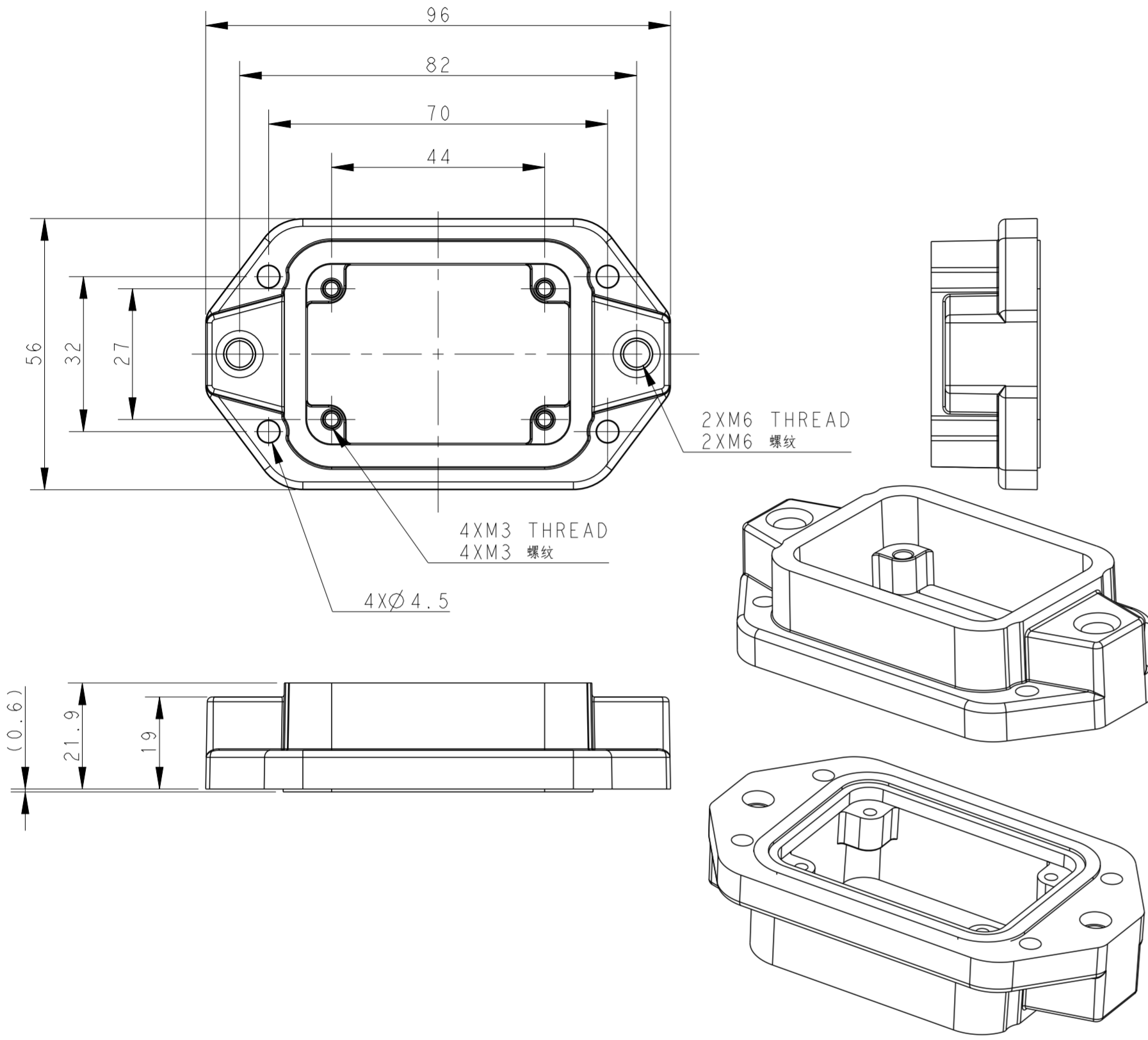


THIS DRAWING IS UNPUBLISHED. RELEASED FOR PUBLICATION 20
 © COPYRIGHT 20 BY - ALL RIGHTS RESERVED.

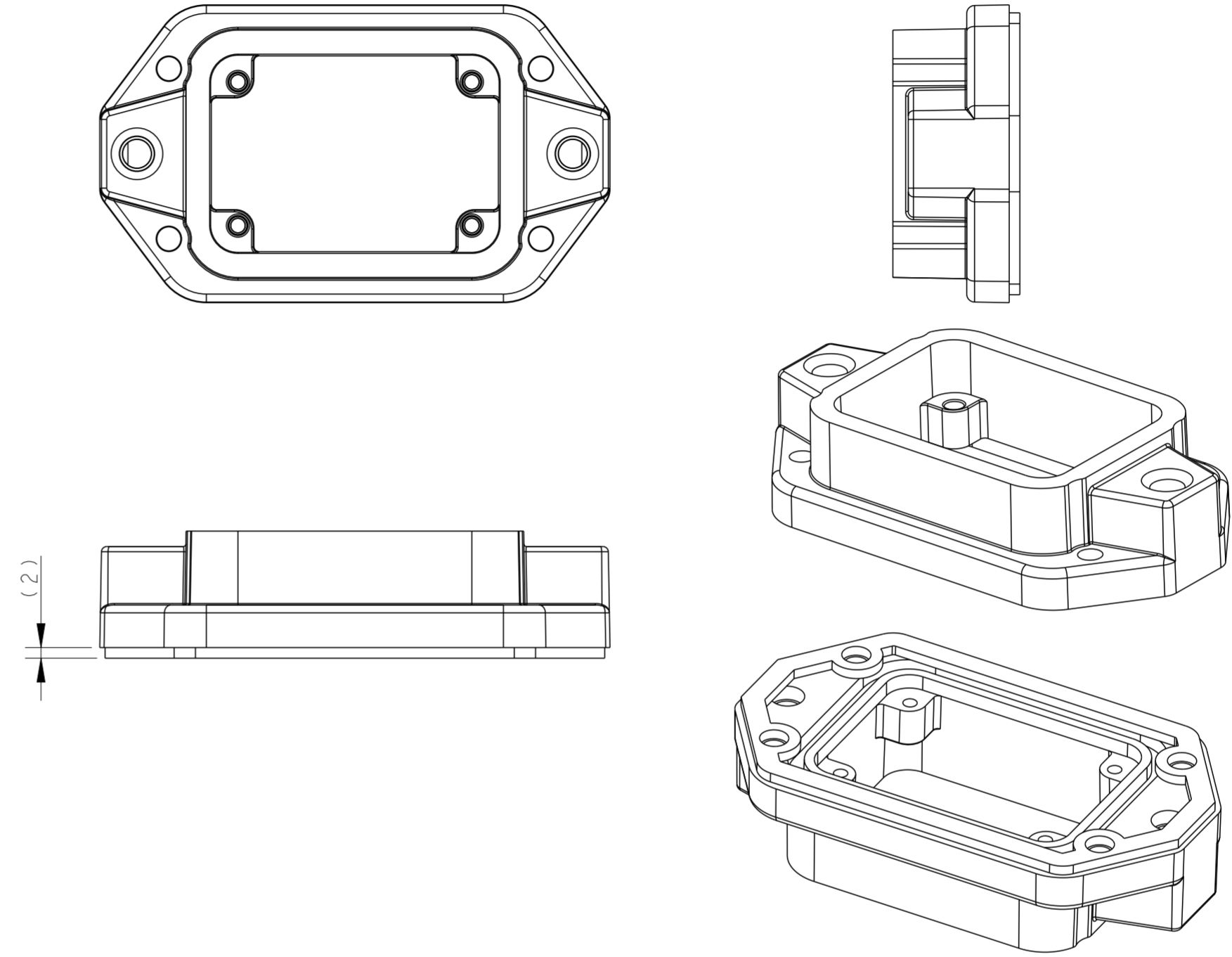
Housing assemble with seal
 下壳带密封圈

TYPE 1 / 类型 1

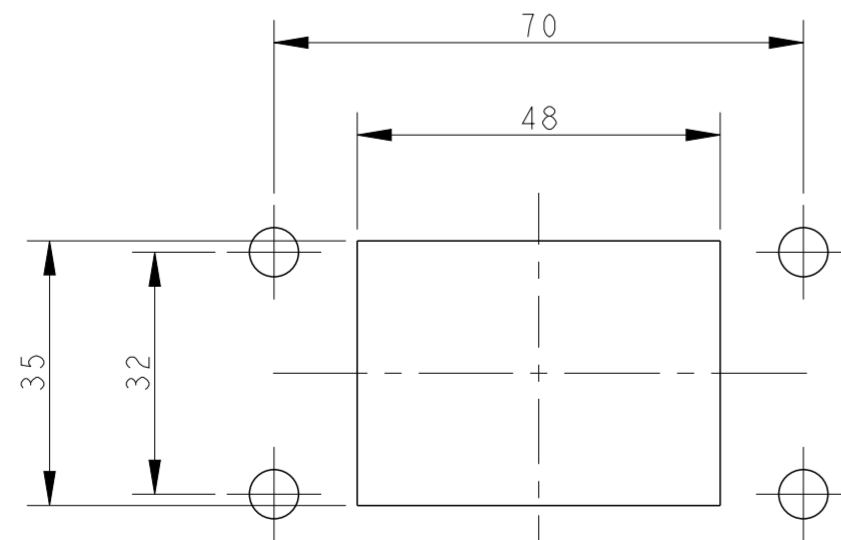


TYPE 2 / 类型 2

Housing assemble with gasket
 下壳带垫片



All dimension is same as TYPE 1, except those defined in this TYPE
 除了已定义的尺寸外, 其他尺寸参考类型1



Panel Cut Out

NOTES:
 1. TECHNICAL CHARACTERISTICS:
 HOUSING MATERIAL: DIE CAST ALUMINIUM ALLOY
 SURFACE TREATMENT: SEE TABLE
 DEGREE OF PROTECTION: IP68 (MATED)

注释
 1. 技术参数:
 壳体材料: 铝合金
 表面处理: 见表格
 防护等级: IP68 (配合)

REVISIONS				
P	LTR	DESCRIPTION	DATE	APVD
A		INITIAL RELEASE	07JUN2015	GY CW
A1		ECR-18-011999	02AUG2018	WOR CW

THIS DRAWING IS A CONTROLLED DOCUMENT.		DWN Gino Yao 06JUN2015	STE TE Connectivity	
DIMENSIONS: mm		CHK Chris Wang 06JUN2015		
TOLERANCES UNLESS OTHERWISE SPECIFIED:		APVD Xiang Xu 06JUN2015	NAME H6BPR-AGC	
0 PLC ±	1 PLC ±	PRODUCT SPEC 108-137014	SIZE A2	
2 PLC ±	3 PLC ±	APPLICATION SPEC 114-137014	CAGE CODE -	DRAWING NO. C-T193206XXXXX00
4 PLC ±	ANGLES ±	WEIGHT -	RESTRICTED TO -	SCALE 1:1
FINISH -	FINISH -	Customer Drawing	SHEET 1 OF 2	REV A1


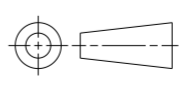
THIS DRAWING IS UNPUBLISHED. RELEASED FOR PUBLICATION 20
 © COPYRIGHT 20 BY - ALL RIGHTS RESERVED.

REVISIONS				
P	LTR	DESCRIPTION	DATE	APVD
-		SEE SHEET 1	-	-

NOTE:
SEE SHEET 1

注释:
见表 1

T1932062001-000	POWDER COATED, GRAY 表面喷涂, 灰色	H6BPR-AGC	H6BPR HOUSING, CENTER LOCKING, BULKHEAD MOUNTED, POWDER COATED, GREY, SEAL FIXED BY GLUE H6BPR下壳, 中部锁定, 开孔安装, 灰色粉末喷涂, 带密封垫	TYPE 2
T1932061001-000	POWDER COATED, SILVER WHITE 表面喷涂, 银白色	H6BPR-AGC	H6BPR HOUSING, CENTER LOCKING, BULKHEAD MOUNTED, POWDER COATED, SILVER WHITE, SEAL FIXED BY GLUE H6BPR下壳, 中部锁定, 开孔安装, 银白色粉末喷涂, 带密封垫	
T1932060001-000	POWDER COATED, BLACK 表面喷涂, 黑色	H6BPR-AGC	H6BPR HOUSING, CENTER LOCKING, BULKHEAD MOUNTED, POWDER COATED, BLACK, SEAL FIXED BY GLUE H6BPR下壳, 中部锁定, 开孔安装, 黑色粉末喷涂, 带密封垫	
T1932062000-001	POWDER COATED, DEEP GRAY 表面喷涂, 深灰色	H6BPR-AGC	H6BPR HOUSING, CENTER LOCKING, BULKHEAD MOUNTED, POWDER COATED, DEEP GREY H6BPR下壳, 中部锁定, 开孔安装, 深灰色粉末喷涂	TYPE 1
T1932062000-000	POWDER COATED, GRAY 表面喷涂, 灰色	H6BPR-AGC	H6BPR HOUSING, CENTER LOCKING, BULKHEAD MOUNTED, POWDER COATED, GREY H6BPR下壳, 中部锁定, 开孔安装, 灰色粉末喷涂	
T1932061000-000	POWDER COATED, SILVER WHITE 表面喷涂, 银白色	H6BPR-AGC	H6BPR HOUSING, CENTER LOCKING, BULKHEAD MOUNTED, POWDER COATED, SILVER WHITE H6BPR下壳, 中部锁定, 开孔安装, 银白色粉末喷涂	
T1932060000-000	POWDER COATED, BLACK 表面喷涂, 黑色	H6BPR-AGC	H6BPR HOUSING, CENTER LOCKING, BULKHEAD MOUNTED, POWDER COATED, BLACK H6BPR下壳, 中部锁定, 开孔安装, 黑色粉末喷涂	
PART NUMBER 料号	SURFACE TREATMEN 表面处理	PART DESCRIPTION 描述		TYPE 类型

THIS DRAWING IS A CONTROLLED DOCUMENT.		DWN Gino Yao 06 JUN 2015	 TE Connectivity	
		CHK Chris Wang 06 JUN 2015		
		APVD Xiang Xu 06 JUN 2015		
		PRODUCT SPEC 108-137014		
DIMENSIONS: mm		TOLERANCES UNLESS OTHERWISE SPECIFIED:		NAME H6BPR-AGC
		0 PLC ±- 1 PLC ±- 2 PLC ±- 3 PLC ±- 4 PLC ±- ANGLES ±- FINISH -		APPLICATION SPEC 114-137014
MATERIAL -		WEIGHT -		SIZE A2
		Customer Drawing		SCALE 1:1 SHEET 2 OF 2 REV A1

X-ON Electronics

Largest Supplier of Electrical and Electronic Components

Click to view similar products for [Heavy Duty Power Connectors](#) category:

Click to view products by [TE Connectivity](#) manufacturer:

Other Similar products are found below :

[1424439](#) [1424438](#) [09330062652](#) [2-8675P1](#) [605601-1](#) [6340G1](#) [6341G1](#) [6360G1](#) [6373G1](#) [6374g2](#) [6396G1](#) [647757-1](#) [66394-4](#) [6643411-1](#)
[6646058-2](#) [6646137-1](#) [6646138-1](#) [6646348-1](#) [6646479-1](#) [6646608-1](#) [6646786-1](#) [6646940-1](#) [6651091-1](#) [6651525-1](#) [6651529-1](#) [6651778-1](#)
[6651788-1](#) [696465-1](#) [696475-1](#) [73000005059](#) [73000005349](#) [73000005642](#) [73080255059](#) [73080965046](#) [765-15-0080A](#) [765-16-0080B](#)
[789.700-44](#) [789.700-54](#) [80-1010](#) [80-9](#) [827381-1](#) [829992-1](#) [902-77-02113](#) [PL00U-301-10D10](#) [PM103MOOLOO](#) [PM16S1620S32-50](#)
[PM212MOOLOO](#) [PM309FOOLOO](#) [PM324FOOLCH](#) [PMHPAF11S03](#)