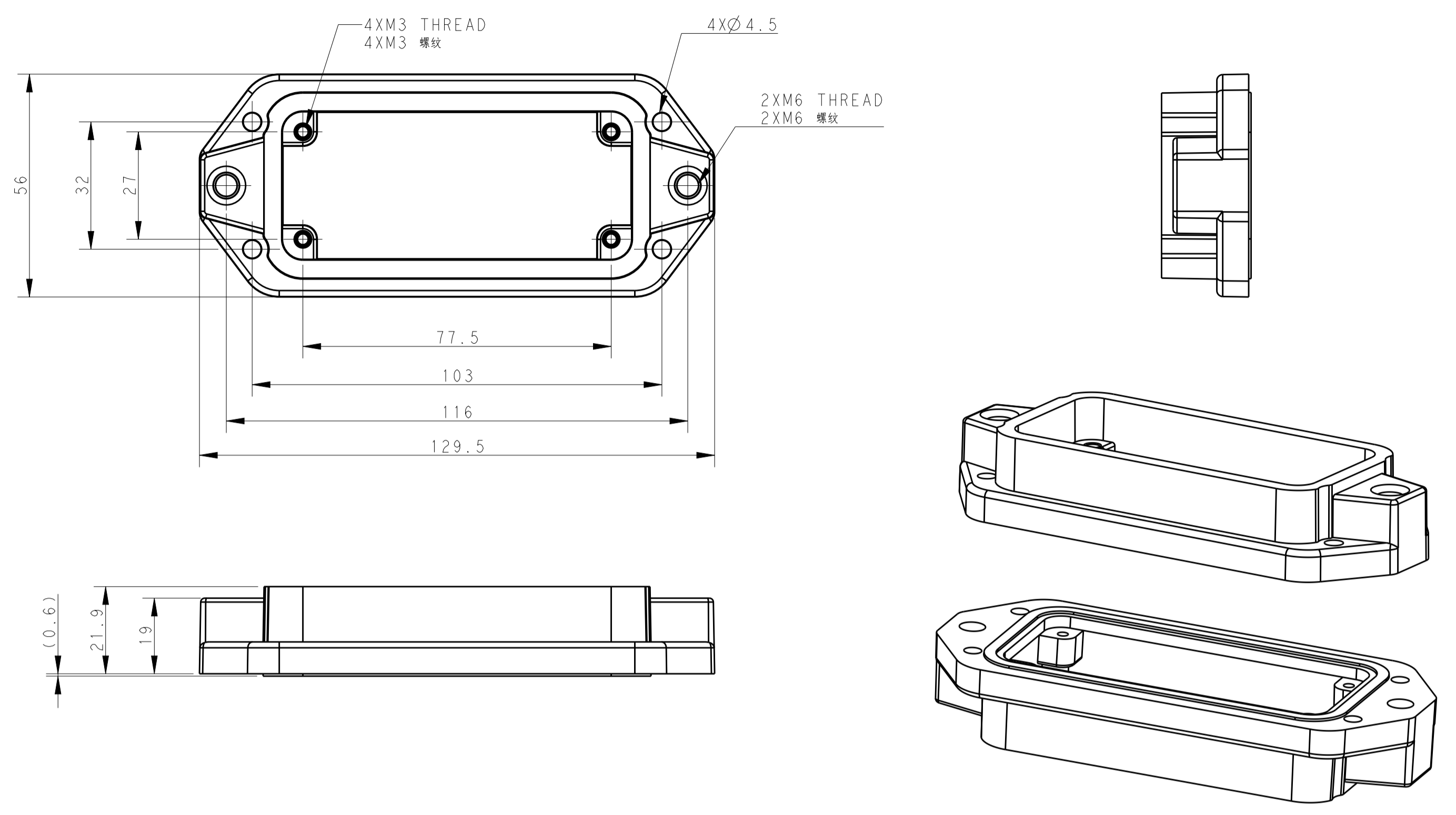


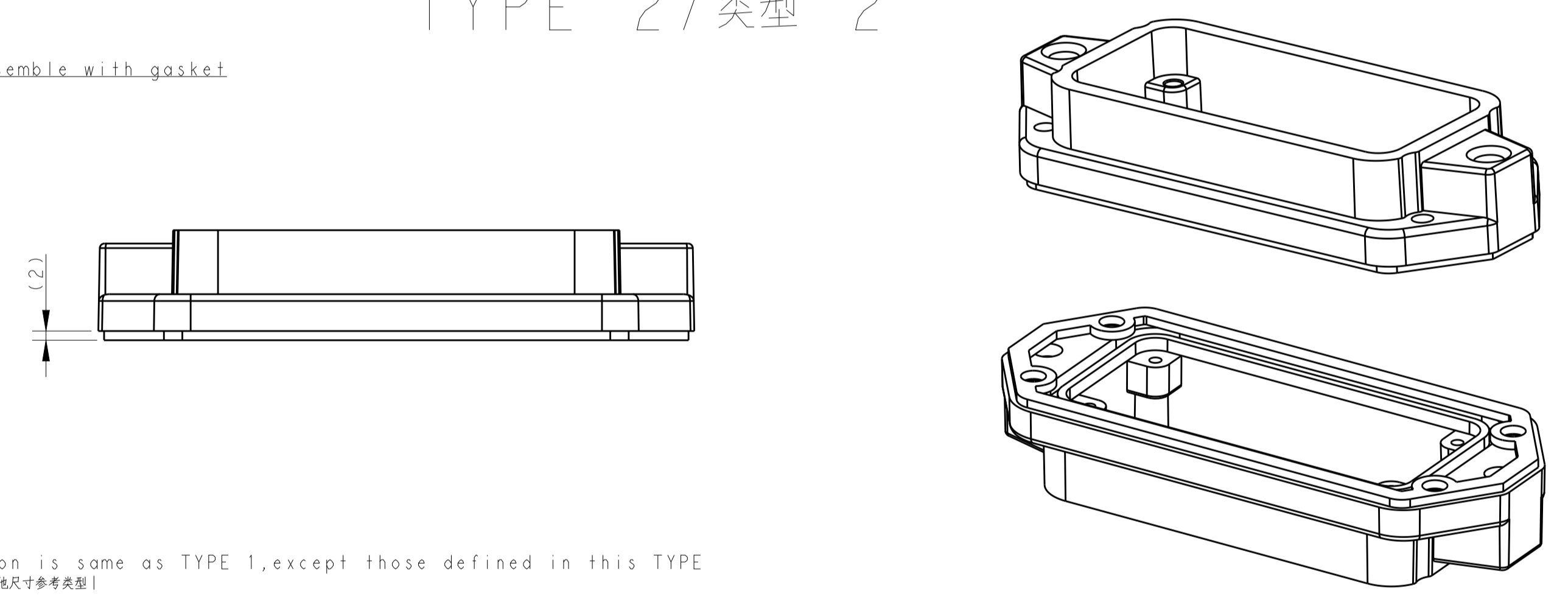
TYPE 1 / 类型 1

Housing assemble with seal
下壳带密封胶



TYPE 2 / 类型 2

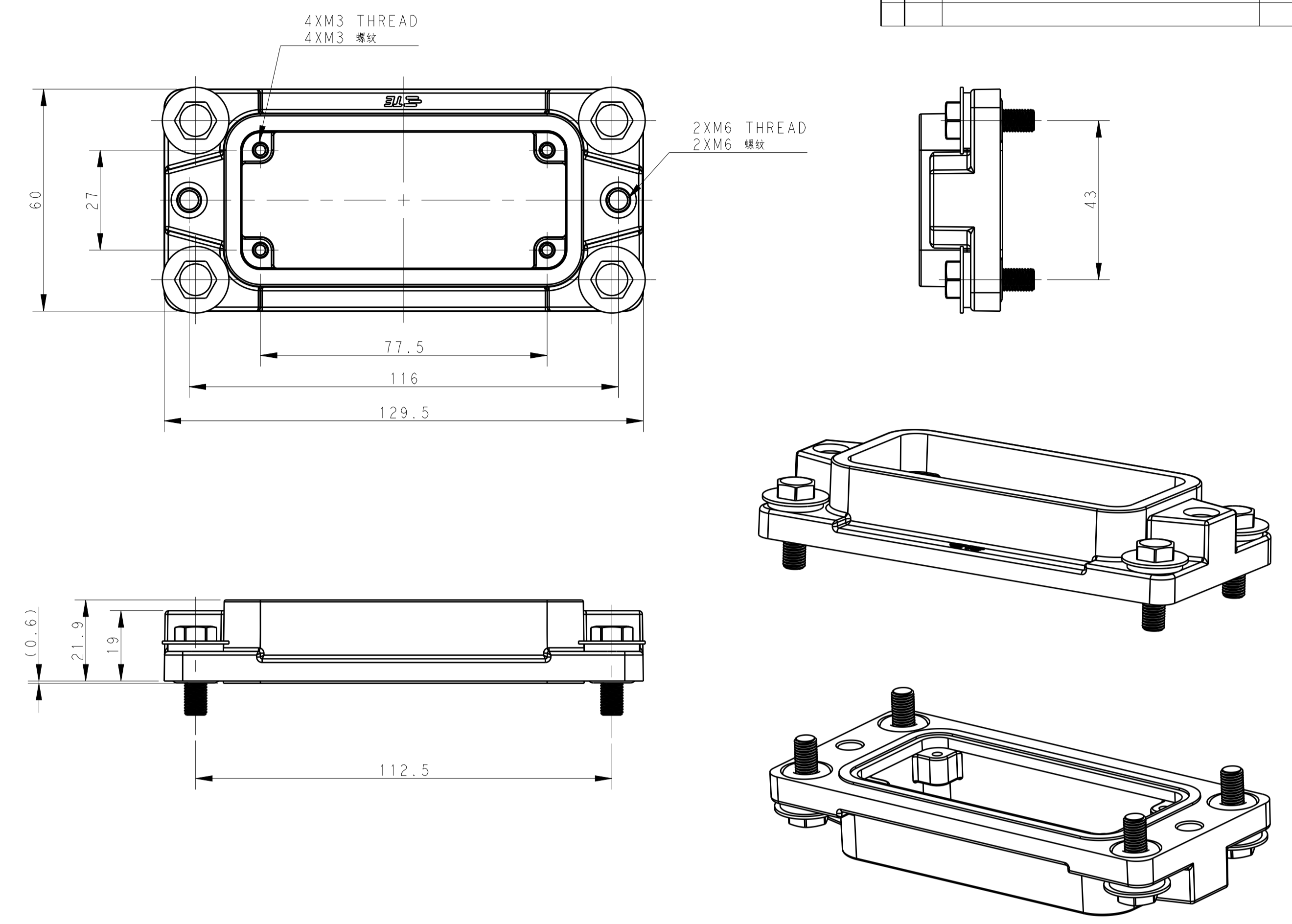
Housing assemble with gasket
下壳带垫片



All dimension is same as TYPE 1, except those defined in this TYPE
除了已定义的尺寸外, 其他尺寸参考类型 1

TYPE 3 / 类型 3

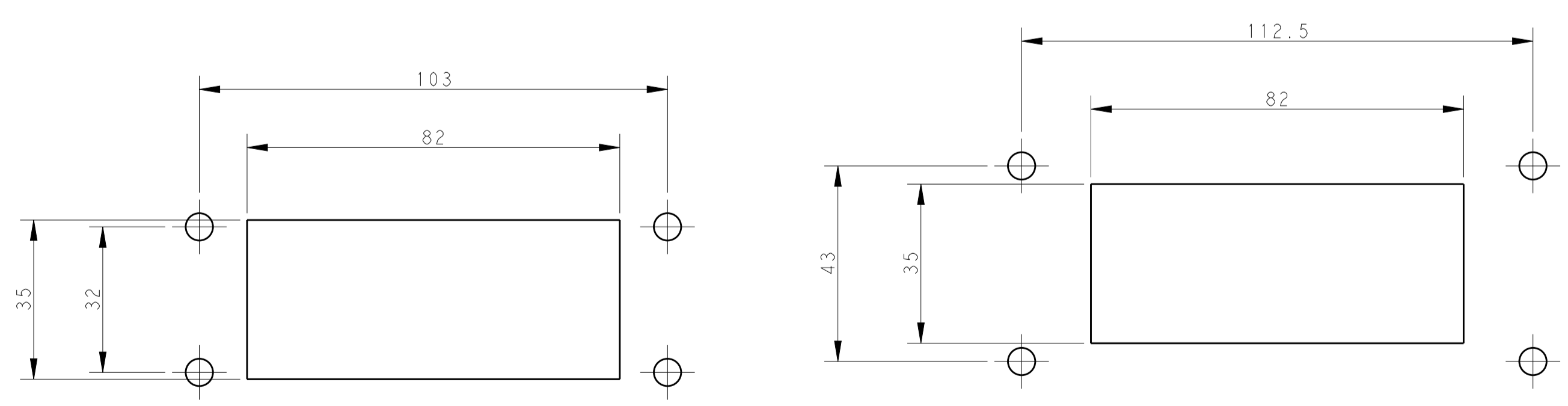
Surface mounting
表面安装



All dimension is same as TYPE 1, except those defined in this TYPE
除了已定义的尺寸外, 其他尺寸参考类型 1

NOTES:
1. TECHNICAL CHARACTERISTICS:
HOUSING MATERIAL: DIE CAST ALUMINIUM ALLOY
SURFACE TREATMENT: SEE TABLE
DEGREE OF PROTECTION: IP68 (MATED)

注释:
1. 技术参数:
壳体材料: 铝合金
表面处理: 见表格
防护等级: IP68 (配合)



Panel Cut Out For TYPE 1&2

Panel Cut Out For TYPE 3

PART NUMBER 料号	SURFACE TREATMENT 表面处理	PART DESCRIPTION 描述	TYPE 类型
T1932160001-000	POWDER COATED, BLACK 表面喷涂, 黑色	H16BPR-AGCT H16BPR HOUSING,CENTER LOCKING,PANEL MOUNTED,POWDER COATED,BLACK H16BPR下壳, 中部锁定, 面板型开孔, 黑色粉末喷涂	TYPE 3
T1932161001-000	POWDER COATED, SILVER WHITE 表面喷涂, 银白色	H16BPR-AGC H16BPR HOUSING,CENTER LOCKING,BULKHEAD MOUNTED,POWDER COATED,SILVER WHITE,SEAL FIXED BY GLUE H16BPR下壳, 中部锁定, 开孔安装, 银白色粉末喷涂, 密封胶	TYPE 2
T1932162000-001	POWDER COATED, DEEP GRAY 表面喷涂, 深灰色	H16BPR-AGC H16BPR HOUSING,CENTER LOCKING,BULKHEAD MOUNTED,POWDER COATED,DEEP GREY H16BPR下壳, 中部锁定, 开孔安装, 深灰色粉末喷涂	TYPE 1
T1932162000-000	POWDER COATED, GRAY 表面喷涂, 灰色	H16BPR-AGC H16BPR HOUSING,CENTER LOCKING,BULKHEAD MOUNTED,POWDER COATED,GRAY H16BPR下壳, 中部锁定, 开孔安装, 灰色粉末喷涂	
T1932161000-000	POWDER COATED, SILVER WHITE 表面喷涂, 银白色	H16BPR-AGC H16BPR HOUSING,CENTER LOCKING,BULKHEAD MOUNTED,POWDER COATED,SILVER WHITE H16BPR下壳, 中部锁定, 开孔安装, 银白色粉末喷涂	
T1932160000-000	POWDER COATED, BLACK 表面喷涂, 黑色	H16BPR-AGC H16BPR HOUSING,CENTER LOCKING,BULKHEAD MOUNTED,POWDER COATED,BLACK H16BPR下壳, 中部锁定, 开孔安装, 黑色粉末喷涂	TYPE 1

THIS DRAWING IS A CONTROLLED DOCUMENT.

STE TE Connectivity

NAME: H16BPR-AGC/AGCT

SCALE: 1:1 SHEET 1 OF 1 REV: A1

X-ON Electronics

Largest Supplier of Electrical and Electronic Components

Click to view similar products for [Heavy Duty Power Connectors](#) category:

Click to view products by [TE Connectivity](#) manufacturer:

Other Similar products are found below :

[1424439](#) [1424438](#) [09330062652](#) [2-8675P1](#) [605601-1](#) [6340G1](#) [6341G1](#) [6360G1](#) [6373G1](#) [6374g2](#) [6396G1](#) [647757-1](#) [66394-4](#) [6643411-1](#)
[6646058-2](#) [6646137-1](#) [6646138-1](#) [6646348-1](#) [6646479-1](#) [6646608-1](#) [6646786-1](#) [6646940-1](#) [6651091-1](#) [6651525-1](#) [6651529-1](#) [6651778-1](#)
[6651788-1](#) [696465-1](#) [696475-1](#) [73000005059](#) [73000005349](#) [73000005642](#) [73080255059](#) [73080965046](#) [765-15-0080A](#) [765-16-0080B](#)
[789.700-44](#) [789.700-54](#) [80-1010](#) [80-9](#) [827381-1](#) [829992-1](#) [902-77-02113](#) [PL00U-301-10D10](#) [PM103MOOLOO](#) [PM16S1620S32-50](#)
[PM212MOOLOO](#) [PM309FOOLOO](#) [PM324FOOLCH](#) [PMHPAF11S03](#)