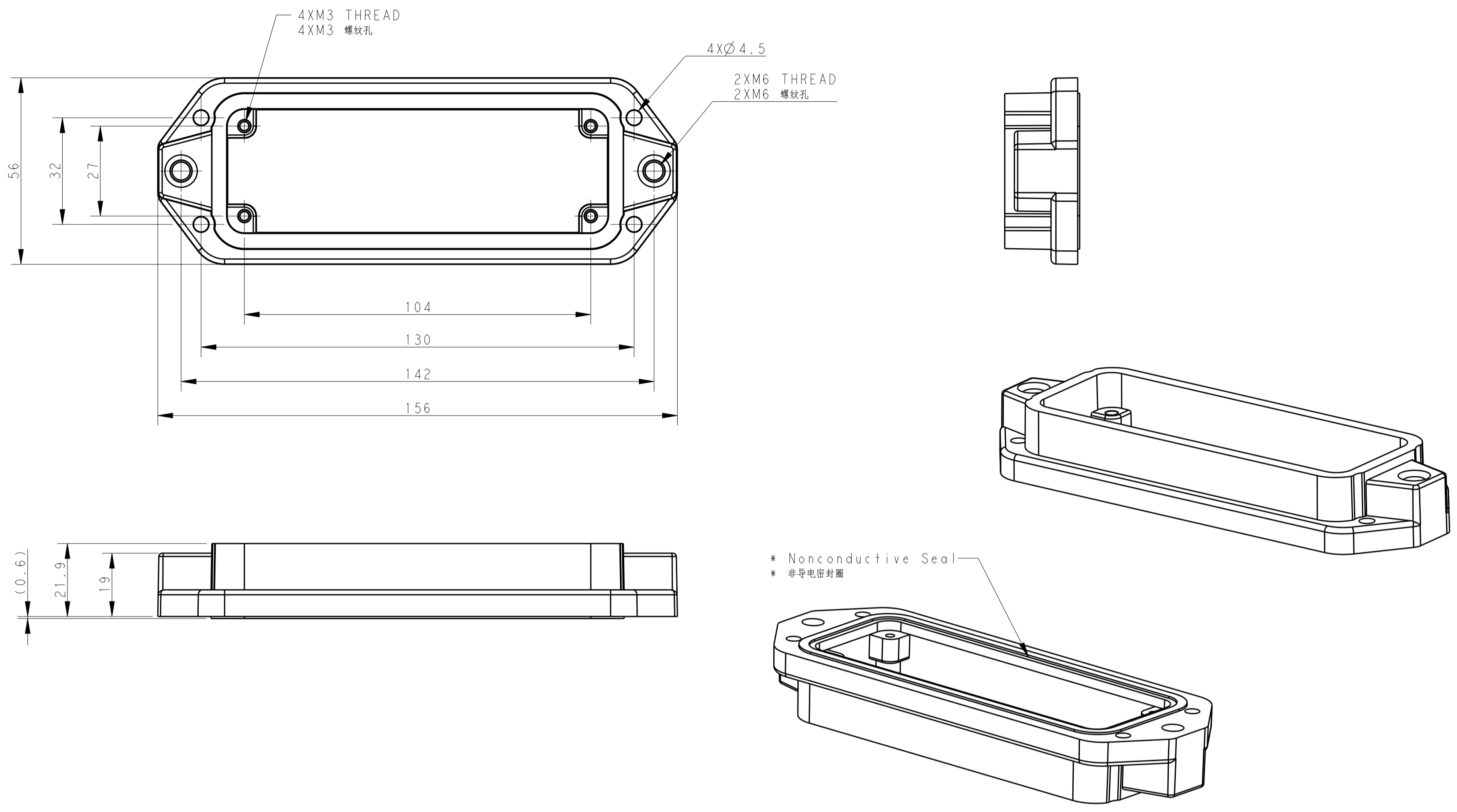


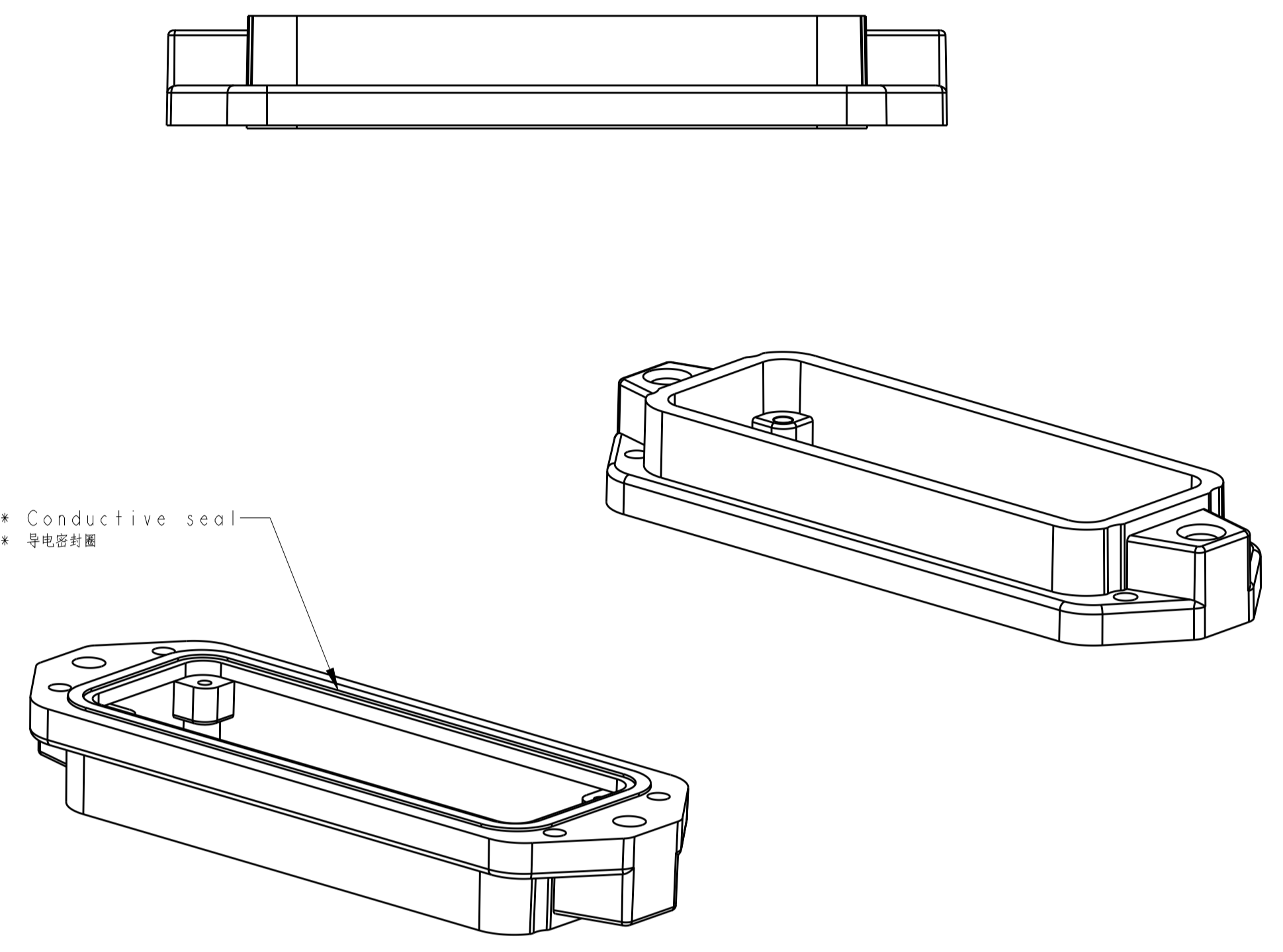
TYPE 1 类型 1

With nonconductive seal / 带非导电密封圈



TYPE 2 类型 2

With conductive seal / 带导电密封圈

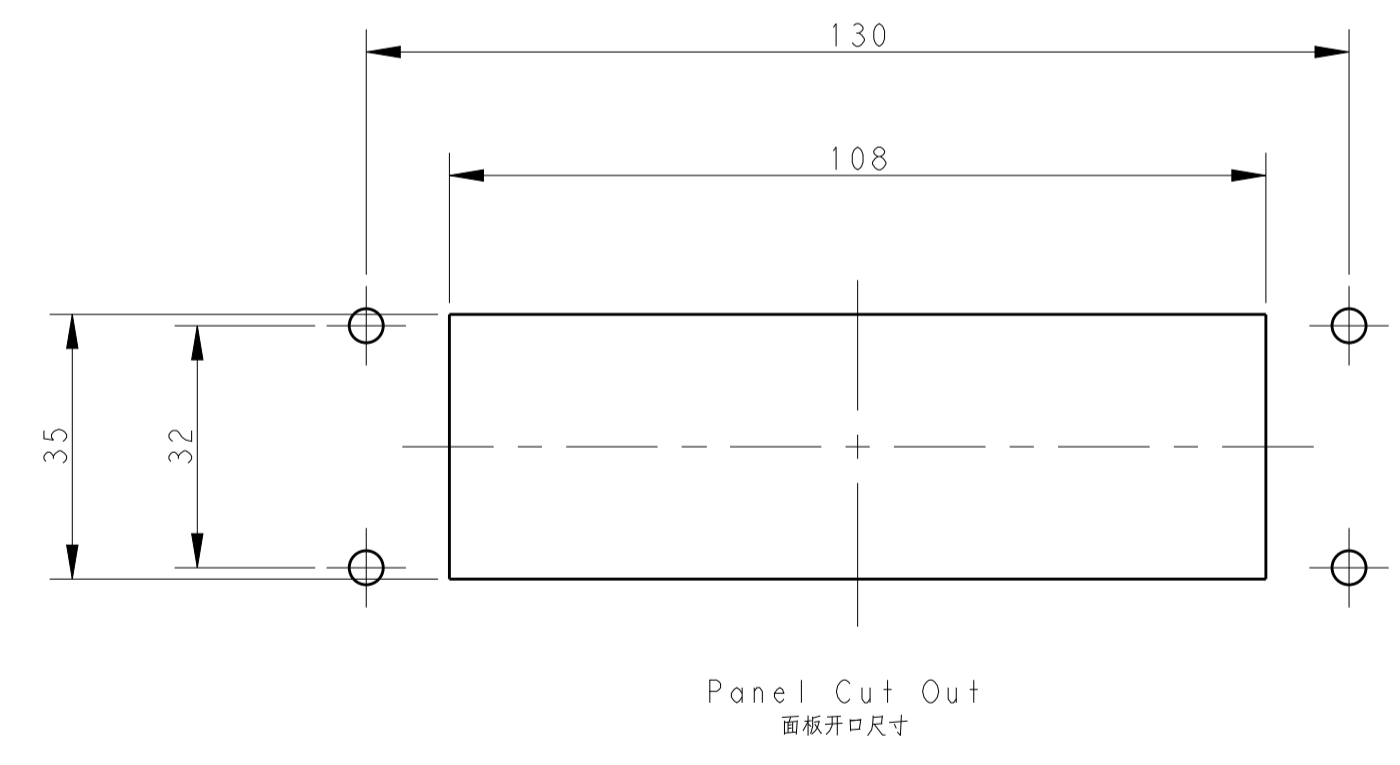
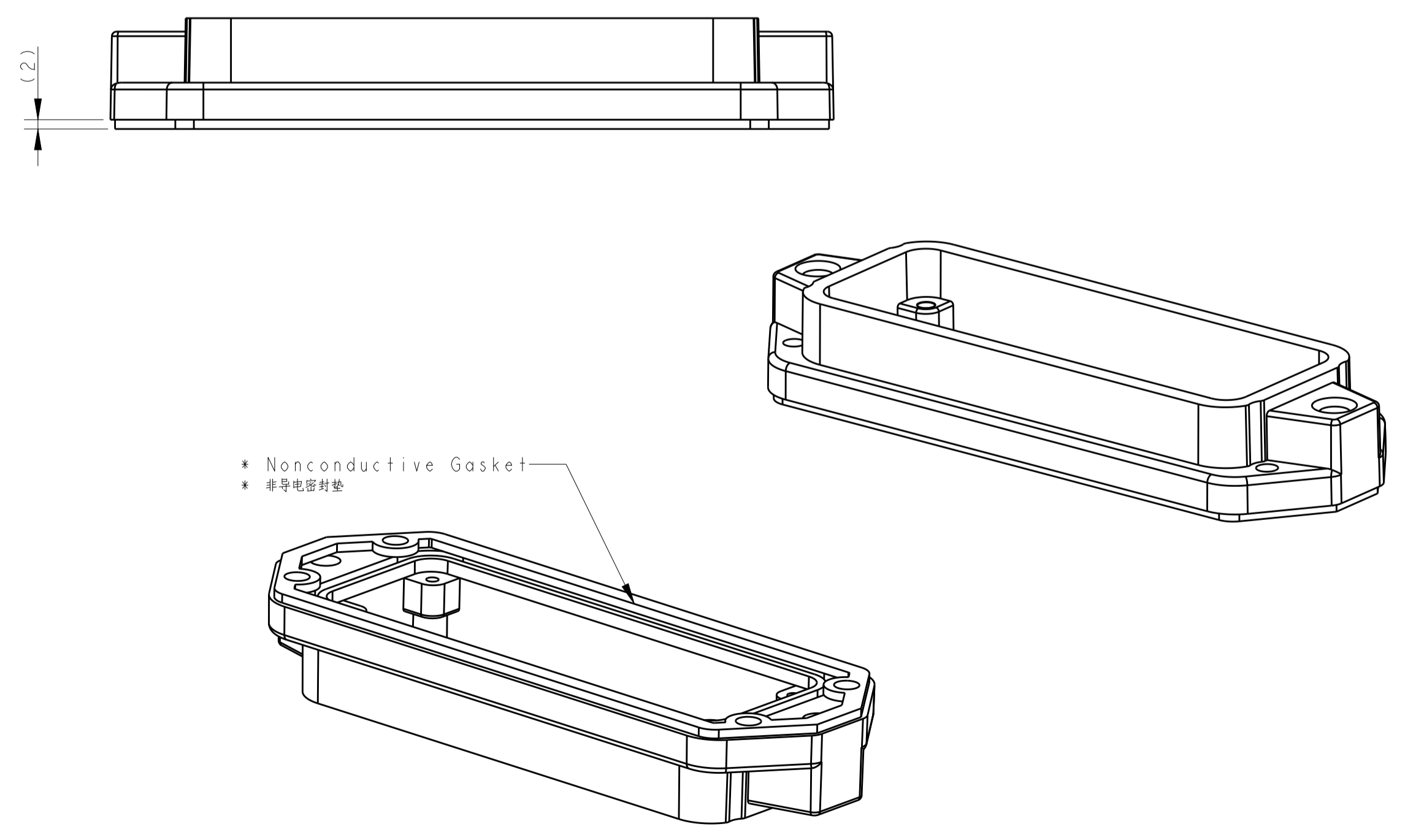


All dimension is same as TYPE 1, except those defined in this TYPE
 除了在本类型中定义的尺寸外, 其他尺寸同类型 1

REVISIONS				
P	LTN	DESCRIPTION	DATE	DWN APVD
A		INITIAL RELEASE	17JUN2015	GY CW
B		ECR-16-007814	31MAY2016	GY CW
B1		ECR-18-010109	26JUN2018	CD CW

TYPE 3 类型 3

With nonconductive gasket / 带非导电密封垫



NOTES:
 1. TECHNICAL CHARACTERISTICS:
 HOUSING MATERIAL: DIE CAST ALUMINIUM ALLOY
 SURFACE TREATMENT: SEE TABLE
 DEGREE OF PROTECTION: IP68 (MATED)

注释
 1. 技术参数:
 壳体材料: 铝合金
 表面处理: 见表格
 防护等级: IP68 (配合)

All dimension is same as TYPE 1, except those defined in this TYPE
 除了在本类型中定义的尺寸外, 其他尺寸同类型 1

PART NUMBER 零件料号	ASSEMBLY PART DESCRIPTION 成品描述	TYPE 类型
T1932241001-000	H24BPR HOUSING, CENTER LOCKING, BULKHEAD MOUNTED, POWDER COATED, SILVER WHITE, SEAL FIXED BY GLUE 下壳, 中脚锁定, 开孔安装, 银白色粉末喷涂, 密封胶	TYPE 3 类型 3
T1932241000-100	H24BPR HOUSING, CENTER LOCKING, BULKHEAD MOUNTED, POWDER COATED, SILVER WHITE, CONDUCTIVE SEALING 下壳, 中脚锁定, 开孔安装, 银白色粉末喷涂, 导电密封圈	TYPE 2 类型 2
T1932240000-100	H24BPR HOUSING, CENTER LOCKING, BULKHEAD MOUNTED, POWDER COATED, BLACK, CONDUCTIVE SEALING 下壳, 中脚锁定, 开孔安装, 黑色粉末喷涂, 导电密封圈	
T1932242000-000	H24BPR HOUSING, CENTER LOCKING, BULKHEAD MOUNTED, POWDER COATED, GREY 下壳, 中脚锁定, 开孔安装, 灰色粉末喷涂	TYPE 1 类型 1
T1932241000-000	H24BPR HOUSING, CENTER LOCKING, BULKHEAD MOUNTED, POWDER COATED, SILVER WHITE 下壳, 中脚锁定, 开孔安装, 银白色粉末喷涂	
T1932240000-000	H24BPR HOUSING, CENTER LOCKING, BULKHEAD MOUNTED, POWDER COATED, BLACK 下壳, 中脚锁定, 开孔安装, 黑色粉末喷涂	
T1932242000-100	H24BPR HOUSING, CENTER LOCKING, BULKHEAD MOUNTED, POWDER COATED, DEEP GREY 下壳, 中脚锁定, 开孔安装, 深灰色粉末喷涂	

THIS DRAWING IS A CONTROLLED DOCUMENT.		DWN Gino_Yao 17JUN2015	TE Connectivity	
DIMENSIONS:		CHK Chris.Wong 17JUN2015		
mm	TOLERANCES UNLESS OTHERWISE SPECIFIED:	APVD Kuang_Yu 17JUN2015	NAME H24BPR-AGC	
0 PLC ±	0 PLC ±	PRODUCT SPEC	SIZE 108-137014	
1 PLC ±	1 PLC ±	APPLICATION SPEC	SCALE 1:1	
2 PLC ±	2 PLC ±	ANGLES	SHEET 1 OF 1	
3 PLC ±	3 PLC ±	FINISH	REV B1	
4 PLC ±	4 PLC ±	MATERIAL	RESTRICTED TO	
5 PLC ±	5 PLC ±	WEIGHT	Customer Drawing	
6 PLC ±	6 PLC ±	SCALE	CAGE CODE DRAWING NO A1 - T193224XXXXX00	
7 PLC ±	7 PLC ±	SCALE	SCALE	
8 PLC ±	8 PLC ±	SCALE	SCALE	
9 PLC ±	9 PLC ±	SCALE	SCALE	
10 PLC ±	10 PLC ±	SCALE	SCALE	

X-ON Electronics

Largest Supplier of Electrical and Electronic Components

Click to view similar products for [Heavy Duty Power Connectors](#) category:

Click to view products by [TE Connectivity](#) manufacturer:

Other Similar products are found below :

[1424439](#) [1424438](#) [09330062652](#) [2-8675P1](#) [605601-1](#) [6340G1](#) [6341G1](#) [6360G1](#) [6373G1](#) [6374g2](#) [6396G1](#) [647757-1](#) [66394-4](#) [6643411-1](#)
[6646058-2](#) [6646137-1](#) [6646138-1](#) [6646348-1](#) [6646479-1](#) [6646608-1](#) [6646786-1](#) [6646940-1](#) [6651091-1](#) [6651525-1](#) [6651529-1](#) [6651778-1](#)
[6651788-1](#) [696465-1](#) [696475-1](#) [73000005059](#) [73000005349](#) [73000005642](#) [73080255059](#) [73080965046](#) [765-15-0080A](#) [765-16-0080B](#)
[789.700-44](#) [789.700-54](#) [80-1010](#) [80-9](#) [827381-1](#) [829992-1](#) [902-77-02113](#) [PL00U-301-10D10](#) [PM103MOOLOO](#) [PM16S1620S32-50](#)
[PM212MOOLOO](#) [PM309FOOLOO](#) [PM324FOOLCH](#) [PMHPAF11S03](#)