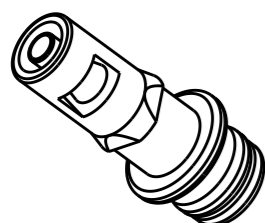


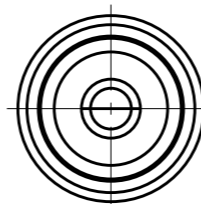
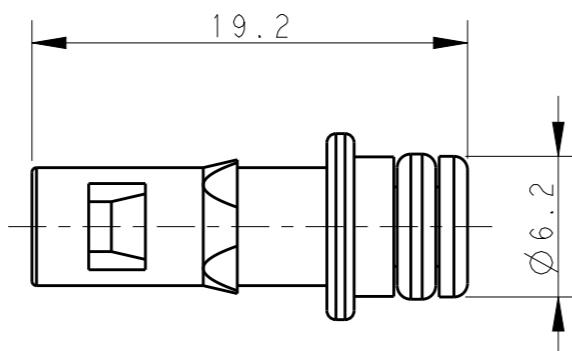
REVISIONS

P	LTR	DESCRIPTION	DATE	DWN	APVD
	A	INITIAL	10MAR2017	RL	CW

T2090002101-001 Pneu-c-M1.6



SCALE 2:1



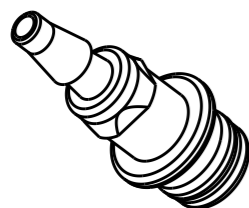
NOTES:

- MATERIAL: PC;
SEALING MATERIAL: RUBBER
- TUBE ID:
- 1.6 / 3.0 / 4.0mm
(MATED WITH T2111032301-000 HMN-PA3)
- 6.0mm (MATED WITH T2111022301-000 HMN-PA2)

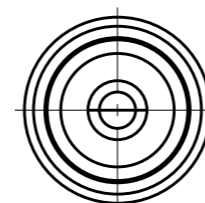
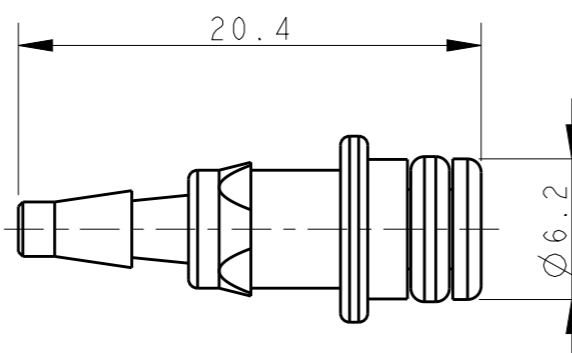
注释:

- 材料: PC;
密封材料: 橡胶
- 导管内径:
- 1.6 / 3.0 / 4.0mm
(与T2111032301-000 HMN-PA3配合)
- 6.0mm (与T2111022301-000 HMN-PA2配合)

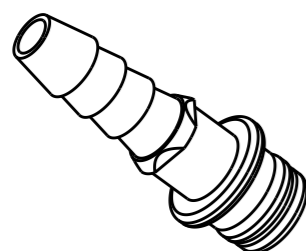
T2090002101-002 Pneu-c-M3.0



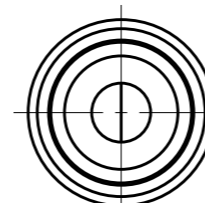
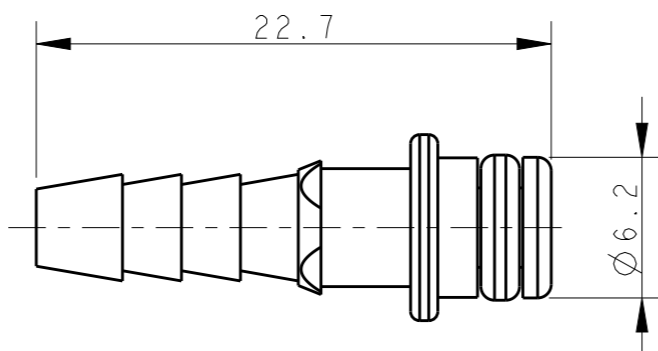
SCALE 2:1



T2090002101-003 Pneu-c-M4.0



SCALE 2:1



T2090002101-001	Pneu-c-M1.6	Pneu-c Ø1.6 PIN CONTACT Pneu-c Ø1.6公针	1.6
T2090002101-002	Pneu-c-M3.0	Pneu-c Ø3.0 PIN CONTACT Pneu-c Ø3.0公针	3.0
T2090002101-003	Pneu-c-M4.0	Pneu-c Ø4.0 PIN CONTACT Pneu-c Ø4.0公针	4.0
PART NUMBER 料号		PART DESCRIPTION 描述	TUBE ID 导管内径(Ø/mm)

THIS DRAWING IS A CONTROLLED DOCUMENT.

DIMENSIONS:	TOLERANCES UNLESS OTHERWISE SPECIFIED:
mm	
	0 PLC ±-
	1 PLC ±-
	2 PLC ±-
	3 PLC ±-
	4 PLC ±-
	ANGLES ±-
MATERIAL	FINISH
-	-
-	-

DWN	10MAR2017
ROY LIU	
CHK	10MAR2017
KYLE ZENG	
APVD	10MAR2017
CHRIS WANG	
PRODUCT SPEC	-
APPLICATION SPEC	-
WEIGHT	-
CUSTOMER DRAWING	

TE Connectivity			
NAME Pneu-c-MXX			
SIZE	CAGE CODE	DRAWING NO	RESTRICTED TO
A3	-	©-T209000210100X	-
SCALE		SHEET	REV
3:1		1 OF 2	A

4

3

2

1

THIS DRAWING IS UNPUBLISHED.

RELEASED FOR PUBLICATION

20

© COPYRIGHT 20

BY -

ALL RIGHTS RESERVED.

REVISIONS

P	LTR	DESCRIPTION	DATE	DWN	APVD
-		SEE SHEET 1	-	-	-

T2090002101-004 Pneu-c-M6.0

25.8

Ø9.6

SCALE 2:1

NOTES:
SEE SHEET 1

T2090002101-004	Pneu-c-M6.0	Pneu-c Ø6.0 PIN CONTACT Pneu-c Ø6.0公针	6.0
PART NUMBER 料号	PART DESCRIPTION 描述		TUBE ID 导管内径(Ø/mm)

THIS DRAWING IS A CONTROLLED DOCUMENT.		DWN ROY LIU 10MAR2017			
DIMENSIONS: mm		CHK KYLE ZENG 10MAR2017			NAME Pneu-c-MXX
		APVD CHRIS WANG 10MAR2017			
TOLERANCES UNLESS OTHERWISE SPECIFIED:		PRODUCT SPEC	RESTRICTED TO		
0 PLC ±- 1 PLC ±- 2 PLC ±- 3 PLC ±- 4 PLC ±- ANGLES ±-		APPLICATION SPEC	SIZE A3	CAGE CODE -	DRAWING NO ©-T209000210100X
MATERIAL -		WEIGHT -	SCALE 3:1		
FINISH -		CUSTOMER DRAWING		SHEET 2 OF 2	REV A

1470-19 (3/13)

X-ON Electronics

Largest Supplier of Electrical and Electronic Components

Click to view similar products for [Heavy Duty Power Connectors](#) category:

Click to view products by [TE Connectivity](#) manufacturer:

Other Similar products are found below :

[1424439](#) [1424438](#) [09330062652](#) [2-8675P1](#) [605601-1](#) [6340G1](#) [6341G1](#) [6360G1](#) [6373G1](#) [6374g2](#) [6396G1](#) [647757-1](#) [66394-4](#) [6643411-1](#)
[6646058-2](#) [6646137-1](#) [6646138-1](#) [6646348-1](#) [6646479-1](#) [6646608-1](#) [6646786-1](#) [6646940-1](#) [6651091-1](#) [6651525-1](#) [6651529-1](#) [6651778-1](#)
[6651788-1](#) [696465-1](#) [696475-1](#) [73000005059](#) [73000005349](#) [73000005642](#) [73080255059](#) [73080965046](#) [765-15-0080A](#) [765-16-0080B](#)
[789.700-44](#) [789.700-54](#) [80-1010](#) [80-9](#) [827381-1](#) [829992-1](#) [902-77-02113](#) [PL00U-301-10D10](#) [PM103MOOLOO](#) [PM16S1620S32-50](#)
[PM212MOOLOO](#) [PM309FOOLOO](#) [PM324FOOLCH](#) [PMHPAF11S03](#)