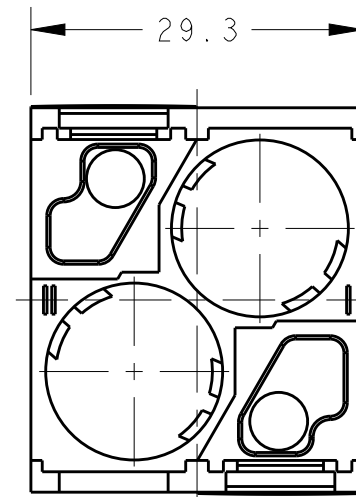
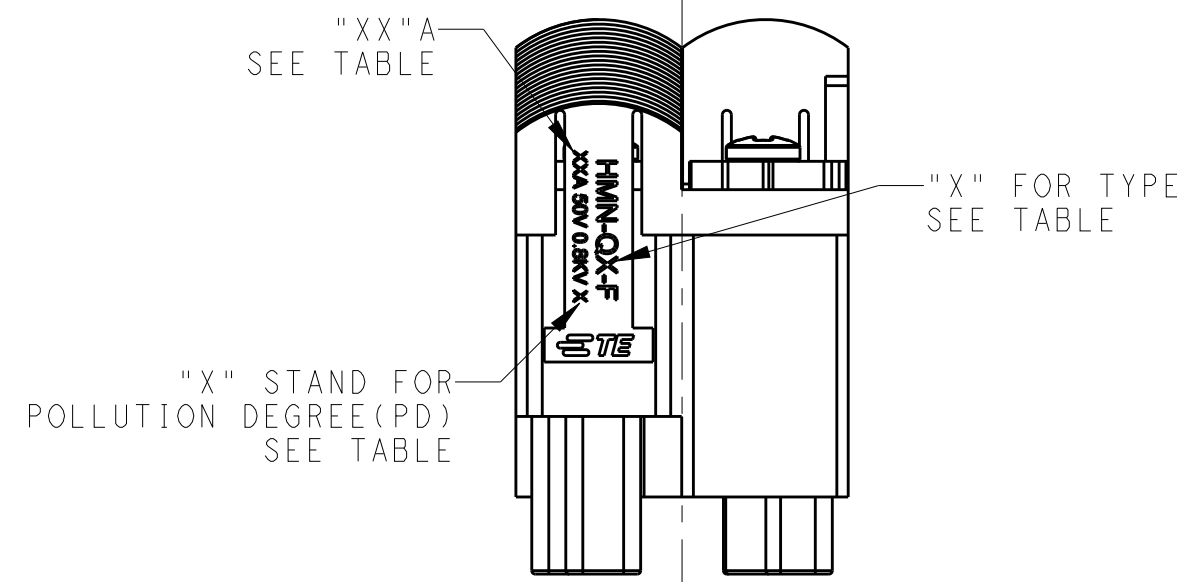
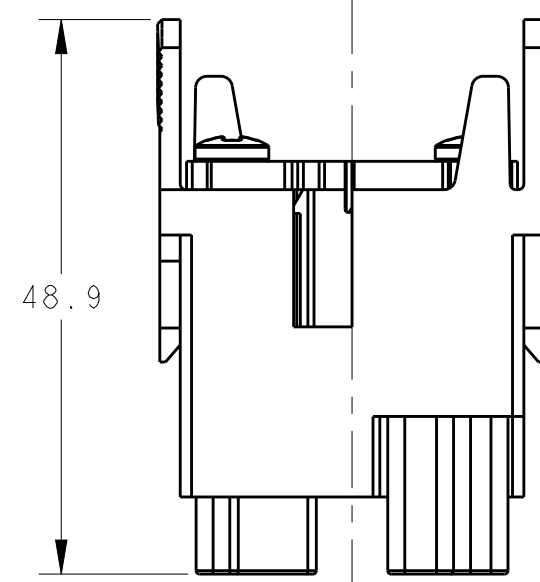
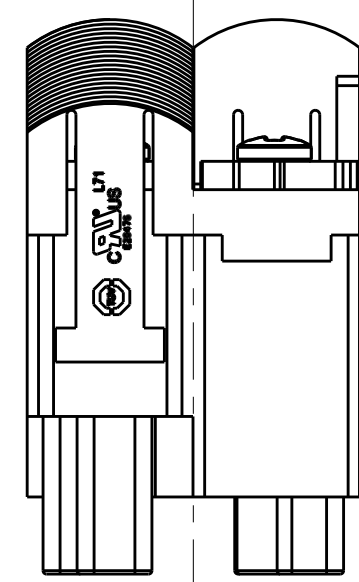
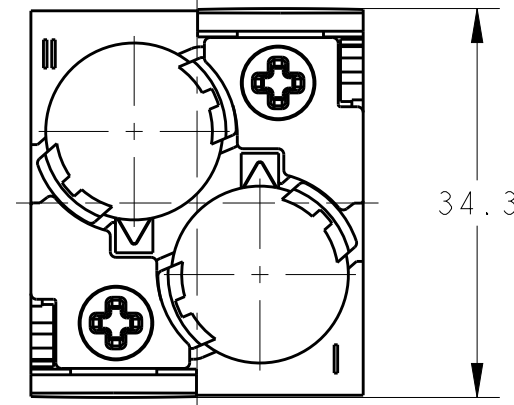
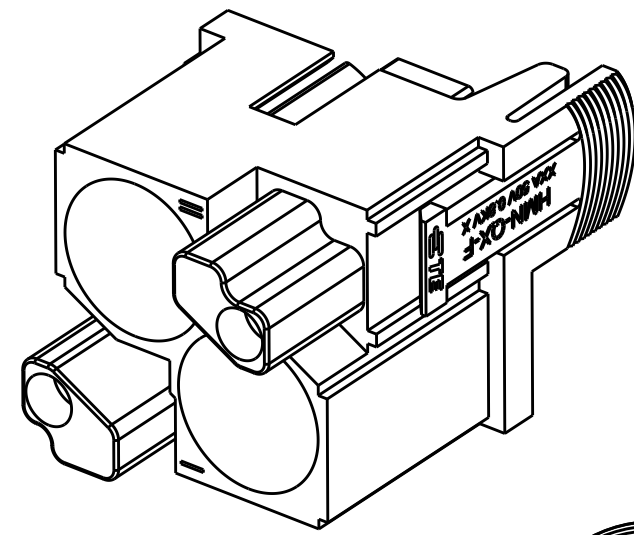


THIS DRAWING IS UNPUBLISHED. RELEASED FOR PUBLICATION 20
 © COPYRIGHT 20 BY - ALL RIGHTS RESERVED.

REVISIONS					
P	LTR	DESCRIPTION	DATE	DWN	APVD
A		INITIAL	22APR2015	DW	CW
B		ECR-15-018270	09DEC2015	DW	CW
B1		ECR-16-006849	13MAY2016	RL	CW

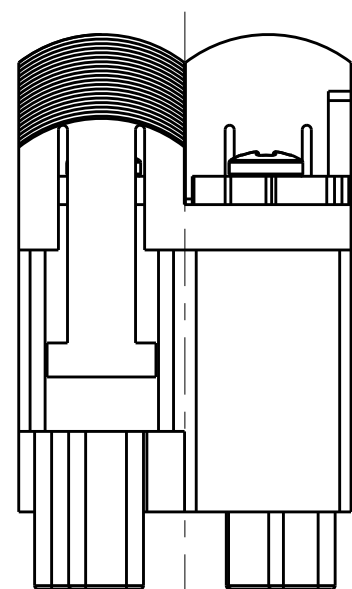
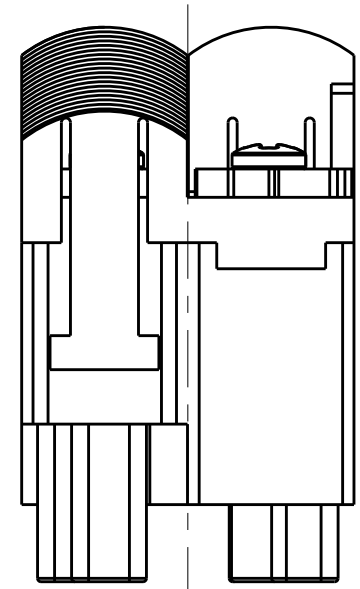


NOTES:
 1. TECHNICAL CHARACTERISTICS:
 INSULATION MATERIAL: PC
 RATED VOLTAGE: 50V
 RATED CURRENT: SEE TABLE
 INSULATION RESISTANCE: >=400MΩ
 RATED IMPULSE VOLTAGE: 0.8KV
 POLLUTION DEGREE: SEE TABLE
 FLAMMABILITY: UL94V-0
 MATING CYCLES: 500 CYCLES
 OPERATION TEMPERATURE: -40~+125°C
 WIRE RANGE: SEE TABLE
 CONTACT TYPE: CRIMP CONTACT
 2. CONTACT NEED TO BE ORDERED SEPARATELY.

注释:
 1. 技术参数:
 绝缘材料: PC
 额定电压: 50V
 额定电流: 见表格
 绝缘电阻: >=400MΩ
 额定脉冲电压: 0.8KV
 污染等级: 见表格
 阻燃等级: UL94V-0
 插拔次数: 500次
 工作温度: -40~+125°C
 接线范围: 见表格
 接线类型: 冷压接
 2. 端子需要单独订购.

T2111027201-000 & T2111027201-001 SHOWN WITH TUV AND CUL MARK
 T2111027201-000 & T2111027201-001 带TUV和CUL激光打标

T2111027201-002 SHOWN WITH TUV AND UL MARK
 T2111027201-002 带TUV和UL激光打标



T2111027201-003 SHOWN WITHOUT LOGO, TUV, UL OR CUL MARK
 T2111027201-003 不带LOGO, TUV, UL和CUL激光打标

T2111027201-003	HMN-Q-F WITHOUT LOGO HMN-Q 模块母插 不带LOGO	-	-	-	WITHOUT LOGO, TUV, UL OR CUL MARK 不带LOGO, TUV, UL和CUL激光打标
T2111027201-002	HMN-Q3-F HMN-Q3模块母插5A	5A	2	0.08~0.52 mm ² (28~20 AWG)	WITH LOGO, TUV AND UL MARK 带LOGO, TUV和UL激光打标
T2111027201-001	HMN-Q2-F HMN-Q2模块母插10A	10A	3	0.14~2.5 mm ² (26~14 AWG)	WITH LOGO, TUV AND CUL MARK 带LOGO, TUV和CUL激光打标
T2111027201-000	HMN-Q1-F HMN-Q1模块母插16A	16A	3	0.14~4 mm ² (26~12 AWG)	WITH LOGO, TUV AND CUL MARK 带LOGO, TUV和CUL激光打标
PART NUMBER 料号	"X" TYPE "X" 产品型号	"XX"A "XX"电流	"X" PD "X"污染等级	WIRE GAUGE 线规	REMARK 备注

THIS DRAWING IS A CONTROLLED DOCUMENT.

DIMENSIONS: mm	TOLERANCES UNLESS OTHERWISE SPECIFIED: 0 PLC ± 1 PLC ± 2 PLC ± 3 PLC ± 4 PLC ± ANGLES ± FINISH	DWN David Wang 22APR2015 CHK Chris Wang 22APR2015 APVD Xiang Xu 22APR2015	NAME HMN-Q1/Q2/Q3/Q-F
MATERIAL		PRODUCT SPEC 108-137067 APPLICATION SPEC 114-137067	SIZE A2 CAGE CODE 00779 DRAWING NO. C-T2111027201000 RESTRICTED TO
		WEIGHT	SCALE 1:1 SHEET 1 OF 1 REV B1

CUSTOMER DRAWING

X-ON Electronics

Largest Supplier of Electrical and Electronic Components

Click to view similar products for [Heavy Duty Power Connectors](#) category:

Click to view products by [TE Connectivity](#) manufacturer:

Other Similar products are found below :

[1424439](#) [1424438](#) [09330062652](#) [2-8675P1](#) [605601-1](#) [6340G1](#) [6341G1](#) [6360G1](#) [6373G1](#) [6374g2](#) [6396G1](#) [647757-1](#) [66394-4](#) [6643411-1](#)
[6646058-2](#) [6646137-1](#) [6646138-1](#) [6646348-1](#) [6646479-1](#) [6646608-1](#) [6646786-1](#) [6646940-1](#) [6651091-1](#) [6651525-1](#) [6651529-1](#) [6651778-1](#)
[6651788-1](#) [696465-1](#) [696475-1](#) [73000005059](#) [73000005349](#) [73000005642](#) [73080255059](#) [73080965046](#) [765-15-0080A](#) [765-16-0080B](#)
[789.700-44](#) [789.700-54](#) [80-1010](#) [80-9](#) [827381-1](#) [829992-1](#) [902-77-02113](#) [PL00U-301-10D10](#) [PM103MOOLOO](#) [PM16S1620S32-50](#)
[PM212MOOLOO](#) [PM309FOOLOO](#) [PM324FOOLCH](#) [PMHPAF11S03](#)