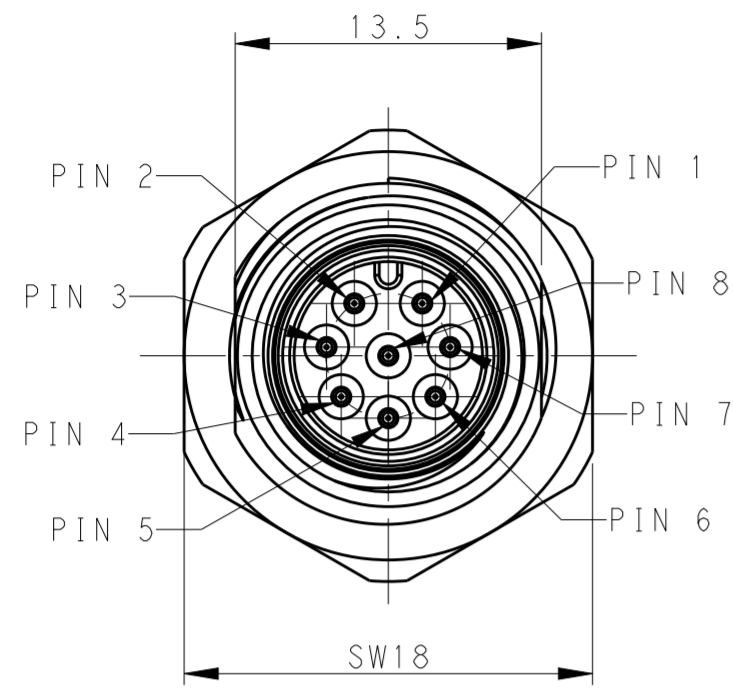
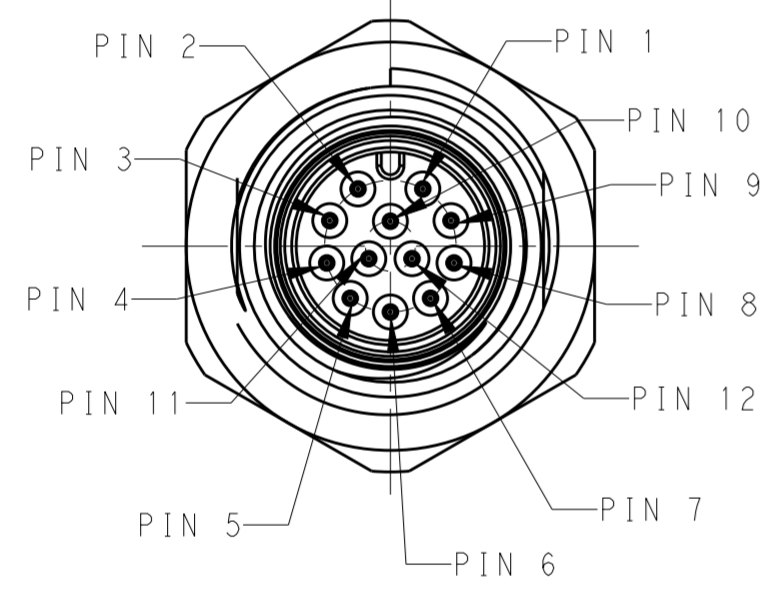


THIS DRAWING IS UNPUBLISHED. RELEASED FOR PUBLICATION 20  
 © COPYRIGHT 20 BY - ALL RIGHTS RESERVED.

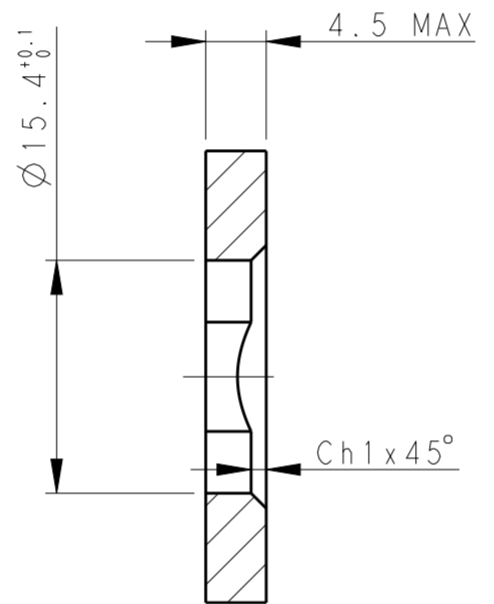
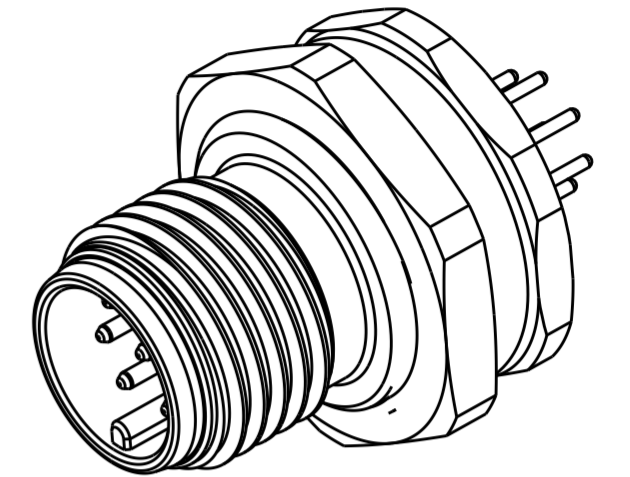
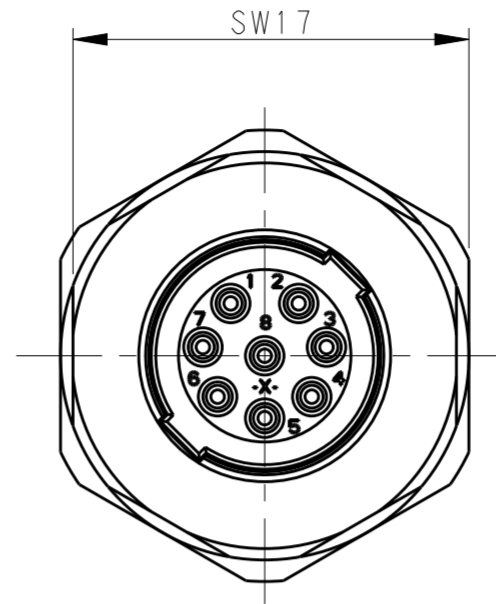
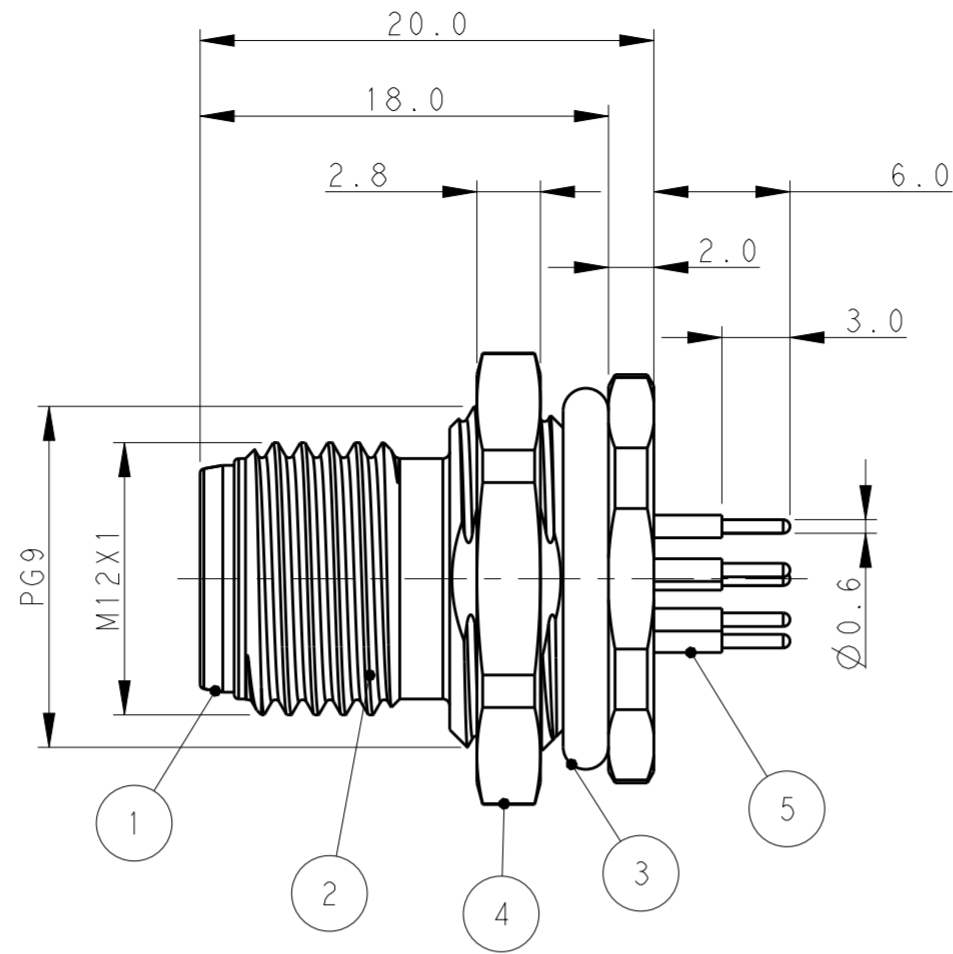
REVISIONS					
P	LTR	DESCRIPTION	DATE	DWN	APVD
A		INITIAL RELEASE	06JAN2018	G.W	C.W
A1		ECR-18-003481	08MAR2018	G.W	C.W



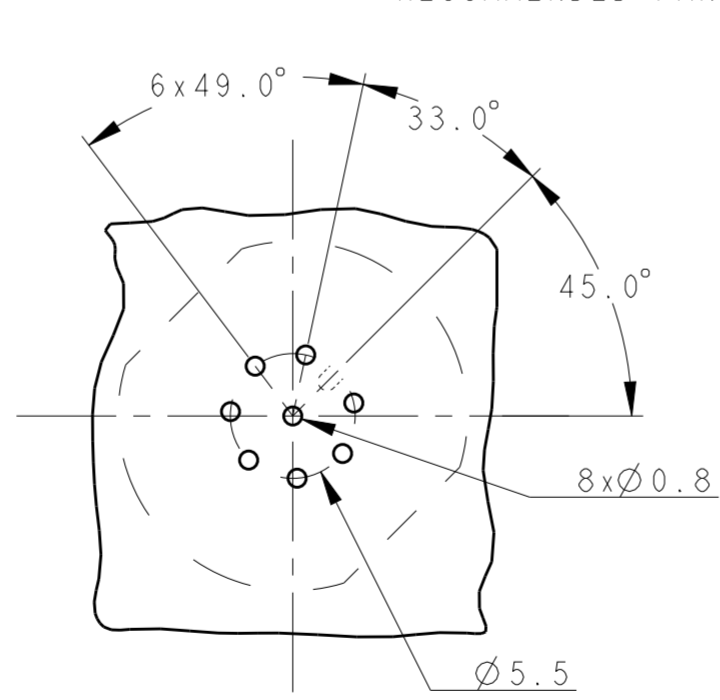
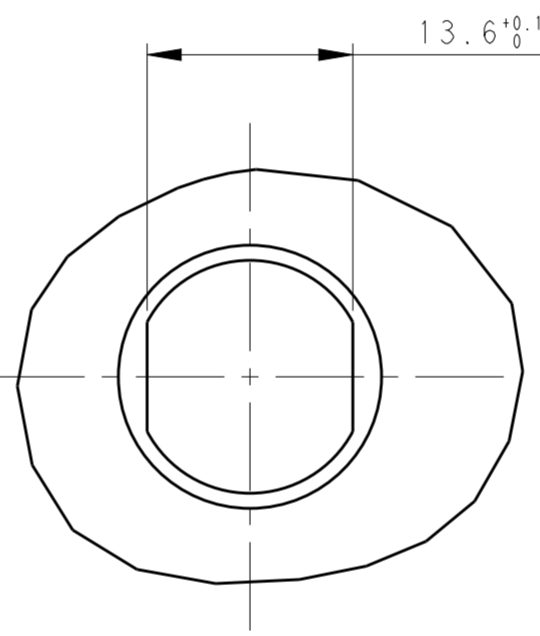
M12, MALE, 8POLES



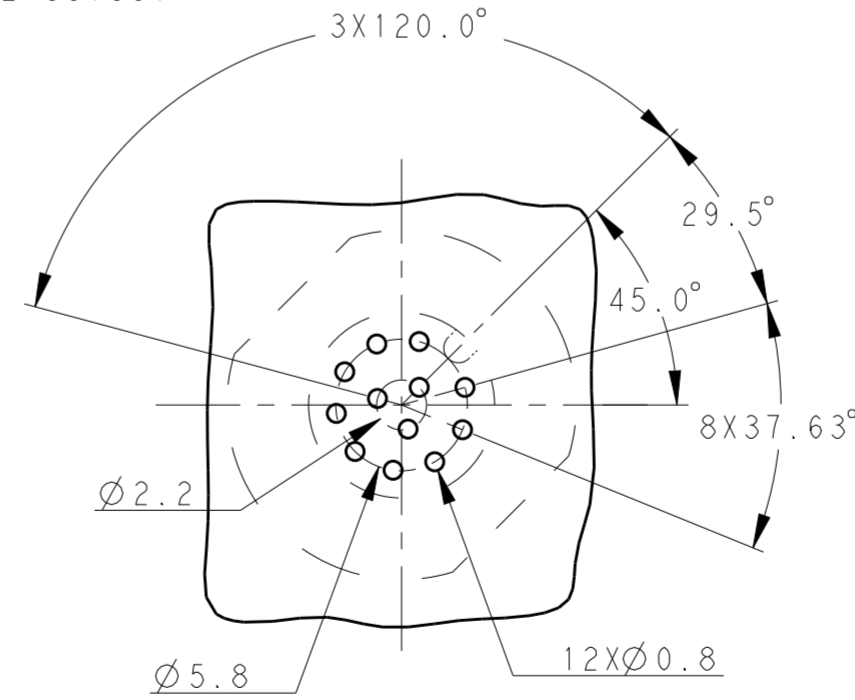
M12, MALE, 12POLES



RECOMMENDED PANEL CUTOUT



FOR 8POS.



FOR 12POS.

RECOMMENDED PCB LAYOUT

- NOTE:
1. TECHNICAL DATA: SEE TABLE 1
  2. RECOMMENDED PANEL CUTOUT AND PCB LAYOUT SEE DETAIL
  3. PACKAGING: 1 PIECE IN A BAG
  4. ALL DIMENSIONS ARE FOR NOMINAL REFERENCE ONLY UNLESS OTHERWISE STATED

- 注释:
1. 技术参数, 见表1
  2. 推荐面板及PCB开孔尺寸详见如图所示
  3. 包装: 1PCS/袋
  4. 所有尺寸仅供参考, 除非另有说明

TABLE 1

TECHNICAL DATA	T4140012081-000	T4140012121-000
RATED VOLTAGE	30V	30V
RATED CURRENT	2A	1.5A
POLLUTION DEGREE	3	3
OVERVOLTAGE CATEGORY	II	II
MATERIAL GROUP	II	II
DEGREE OF PROTECTION	IP67	IP67
OPERATION TEMPERATURE	-40~85°C	-40~85°C

TYPE	POS.	PART NUMBER
RPC-M12-MF-12CON-PG9-LBU	12	T4140012121-000
RPC-M12-MF-8CON-PG9-LBU	8	T4140012081-000

OTHERS	MATERIAL	DESCRIPTION	ITEM
GOLD PLATED	COPPER ALLOY	CONTACT	5
NICKEL PLATED	COPPER ALLOY	METAL NUT	4
-	-	O-RING	3
NICKEL PLATED	COPPER ALLOY	M12, MALE, METAL BODY	2
-	PA66	M12, MALE HSG	1

THIS DRAWING IS A CONTROLLED DOCUMENT.

DIMENSIONS: mm	TOLERANCES UNLESS OTHERWISE SPECIFIED:	DWN 06JAN2018 Gavin Wang	TE Connectivity
		CHK 06JAN2018 Kevin Huang	
		APVD 06JAN2018 Chris Wang	
		PRODUCT SPEC	
		108-106140	NAME M12 PANEL MOUNT CONNECTOR A CODE, MALE, REAR MOUNT PCB SOLDERING
		114-137144	SIZE A2
MATERIAL			CAGE CODE
			DRAWING NO
			RESTRICTED TO
			SCALE 3:1
			SHEET 1 OF 1
			REV A1

## X-ON Electronics

Largest Supplier of Electrical and Electronic Components

*Click to view similar products for [Circular Metric Connectors](#) category:*

*Click to view products by [TE Connectivity](#) manufacturer:*

Other Similar products are found below :

[1424048](#) [1021212](#) [600X518037X](#) [6STD09SAM99B70X](#) [6STD15PCR99B70A](#) [8R4000A16M020](#) [1200910002](#) [1201150041](#) [1203580030](#)  
[1200700064](#) [1200700263](#) [1200700416](#) [1200730102](#) [1200770002](#) [1-2823588-2](#) [130203-0054](#) [1300140026](#) [1300150099](#) [1-3637-600-5205](#)  
[1545399](#) [1594331](#) [1600413](#) [1612606](#) [1612618](#) [1614660](#) [1A4000-348](#) [CA06EW24-10P-B-03](#) [21036836414](#) [2823064-1](#) [1610759](#) [A1642LK-](#)  
[II-T](#) [1R3006A20M005](#) [41-01016](#) [41-40011](#) [41-40017](#) [42-00006](#) [42-01015](#) [4-22279-4](#) [4-22281-1](#) [4-22284-9](#) [43-00002](#) [43-00113](#) [43-00130](#)  
[43-01028](#) [43-01034](#) [43-01088](#) [43-01090](#) [43-01203](#) [43-01209](#) [43-01335](#)