

THIS DRAWING IS UNPUBLISHED. RELEASED FOR PUBLICATION
 © COPYRIGHT copyright.d8Te- ALL RIGHTS RESERVED.

| REVISIONS | | | | |
|-----------|-----|-----------------------------|-----------|-------|
| P | LTR | DESCRIPTION | DATE | APVD |
| A | | INITIAL RELEASE | 12JUN2018 | TF CW |
| A1 | | ECR-18-018373 CORRECT ERROR | 26NOV2018 | TF CW |

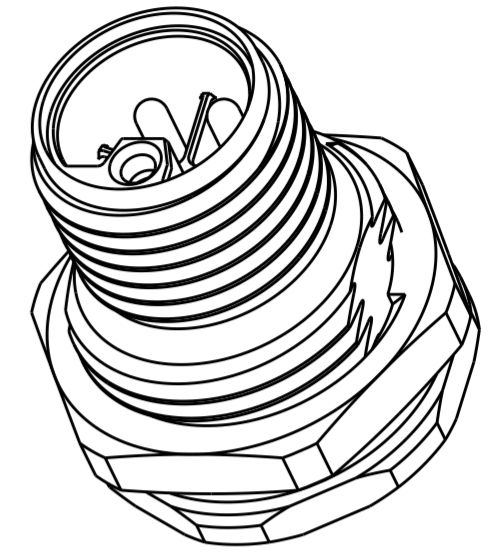
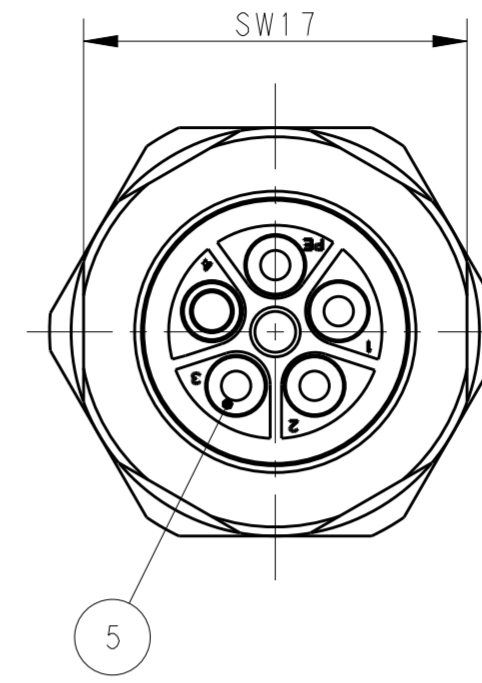
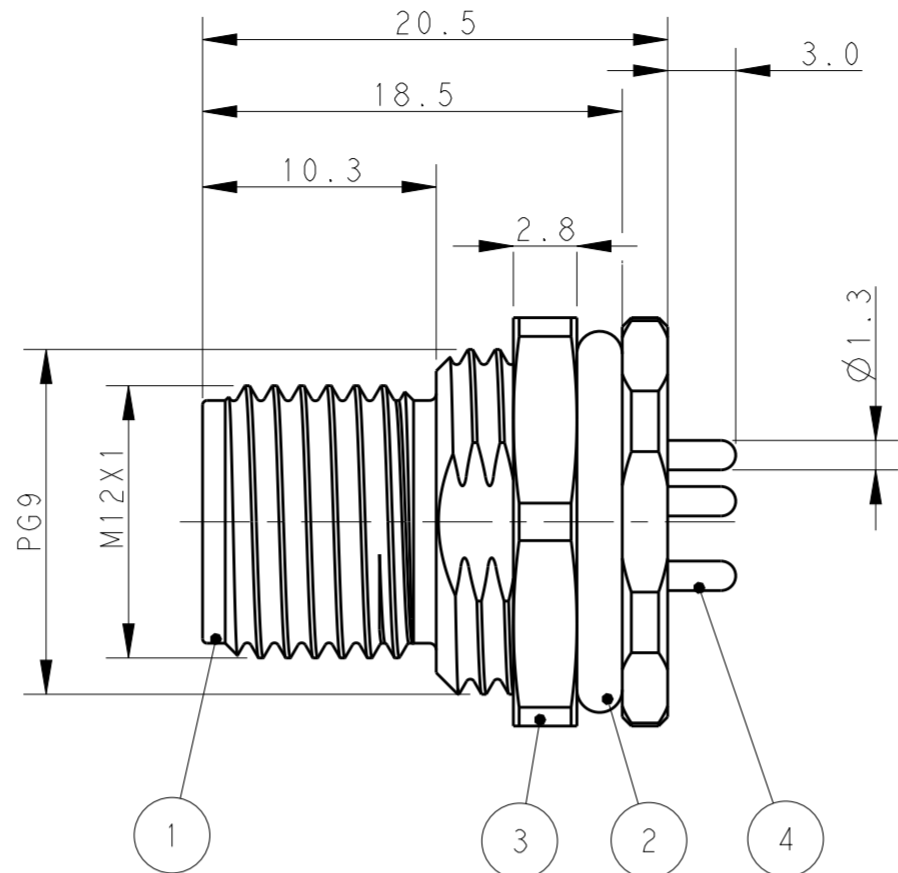
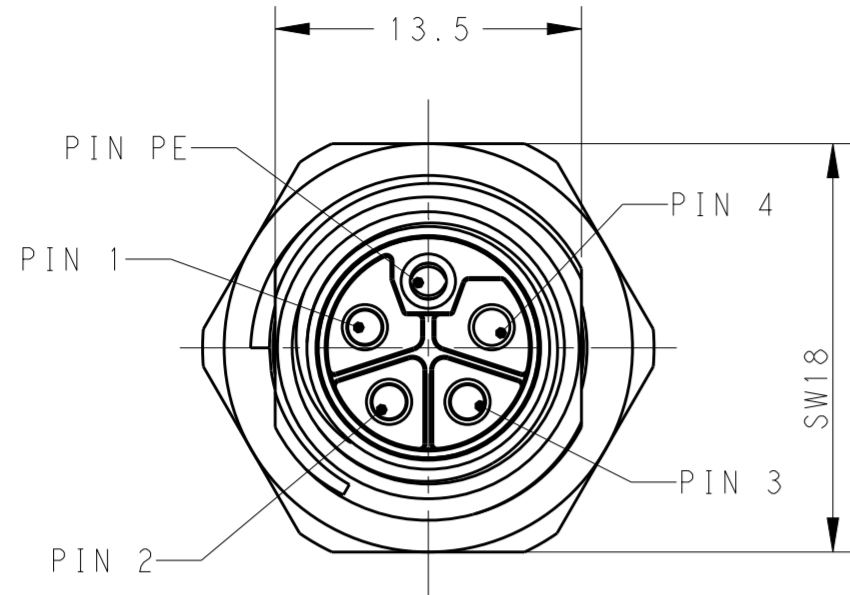
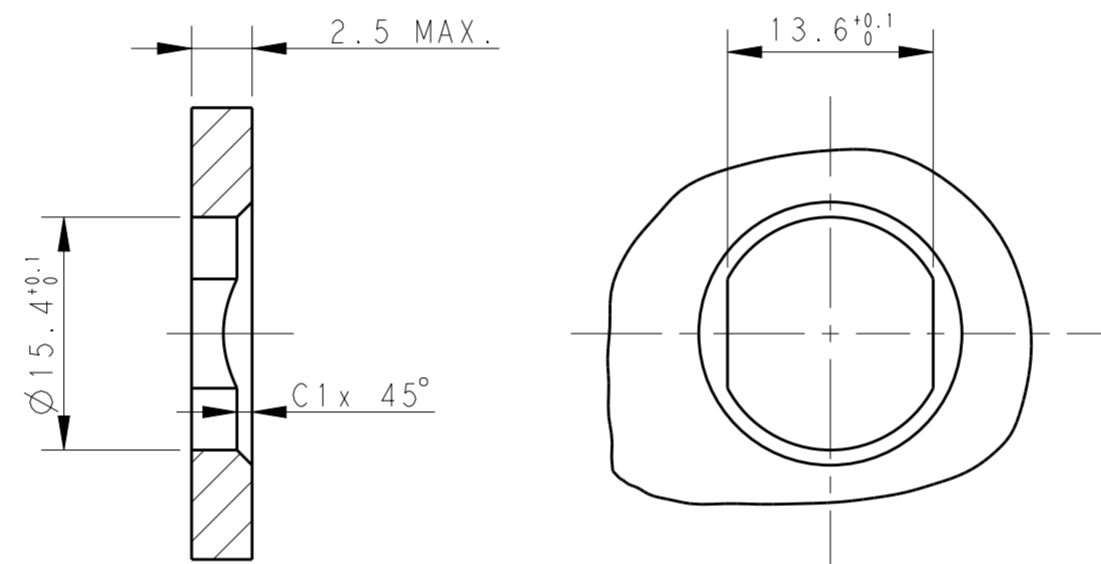


TABLE 1

| TECHNICAL DATA | T4140L12031-000 | T4140L12041-000 | T4140L12051-000 |
|-----------------------|-----------------|-----------------|-----------------|
| RATED VOLTAGE | 63V | 63V | 63V |
| RATED CURRENT | 16A | 16A | 16A |
| POLLUTION DEGREE | 3 | 3 | 3 |
| OVERVOLTAGE CATEGORY | IV | IV | IV |
| MATERIAL GROUP | IIIb | IIIb | IIIb |
| CONTACT RESISTANCE | ≤5mΩ | ≤5mΩ | ≤5mΩ |
| INSULATION RESISTANCE | >100MΩ | >100MΩ | >100MΩ |
| DEGREE OF PROTECTION | IP67 | IP67 | IP67 |
| OPERATION TEMPERATURE | -40~85°C | -40~85°C | -40~85°C |



RECOMMENDED PANEL CUTOUT

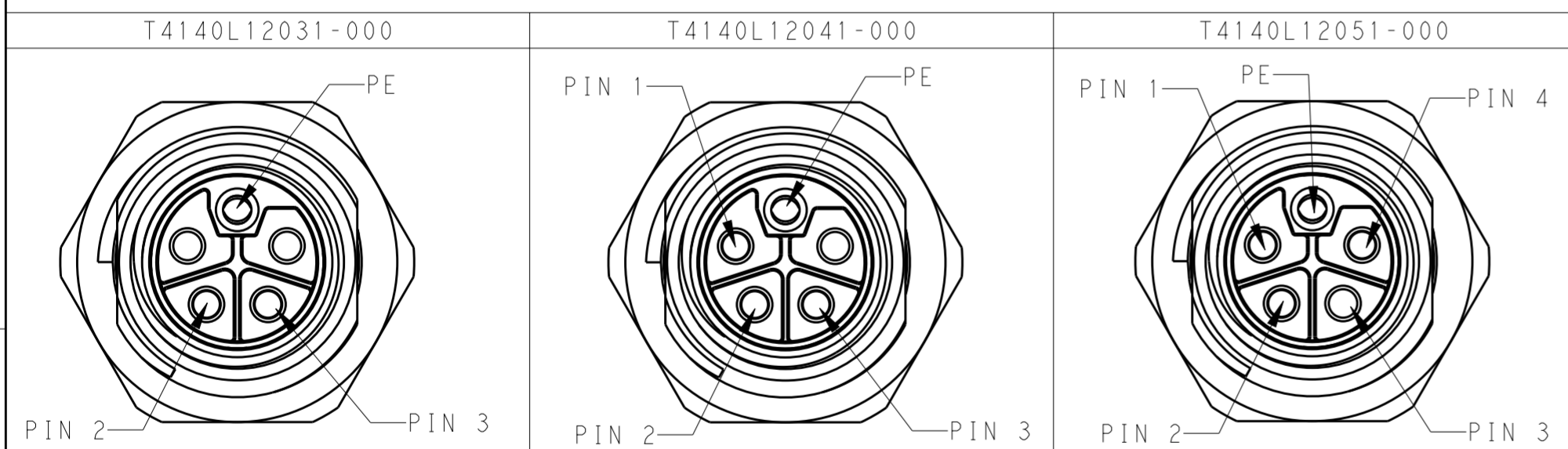
NOTE:

1. TECHNICAL DATA: SEE TABLE 1
2. RECOMMENDED PANEL CUTOUT AND PCB LAYOUT SEE DETAIL
3. PRODUCT COMPLIES WITH IEC61076-2-111
4. PLASTIC INERT MATERIAL: UL LISTED WITH UL94V0 FLAME RATING
5. ALL MATERIALS TO BE ROHS COMPLIANT
6. ALL MATERIALS TO BE REACH COMPLIANT
7. PACKAGING: 1 PIECE IN A BAG
8. ALL DIMENSIONS ARE FOR NOMINAL REFERENCE ONLY UNLESS OTHERWISE STATED

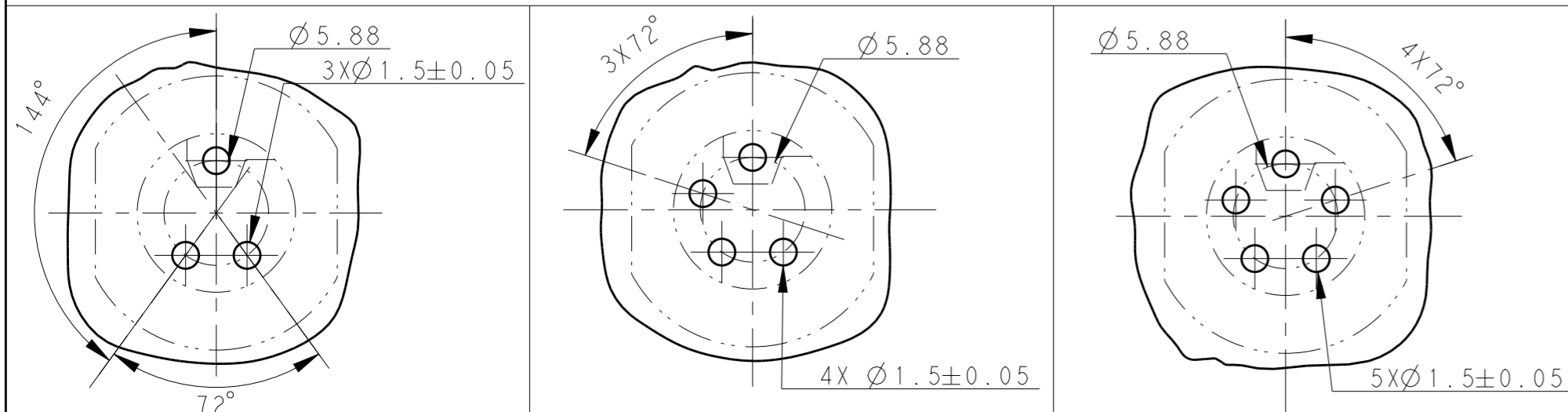
注释:

1. 技术参数, 见表1
2. 推荐面板及PCB开孔尺寸详见如图所示
3. 产品符合标准 IEC61076-2-111
4. 塑胶材料符合UL标准, UL-94V0阻燃等级
5. 所有材料符合ROHS参照标准TEC-138-705
6. 所有材料符合REACH参照标准TEC-138-705
7. 包装: 1PCS/袋
8. 所有尺寸仅供参考, 除非另有说明

PIN ARRANGEMENT L-CODE



RECOMMENDED DRILLING DIAGRAM



| TYPE | POS. | PART NUMBER |
|--------------------------|------|-----------------|
| RPC-M12L-MF-3CON-PG9-LBU | 3 | T4140L12031-000 |
| RPC-M12L-MF-4CON-PG9-LBU | 4 | T4140L12041-000 |
| RPC-M12L-MF-5CON-PG9-LBU | 5 | T4140L12051-000 |

| BLACK | LCP | M12, MALE HSG, L CODE, 5P | 5 |
|---------------|--------------|---------------------------|------|
| GOLD PLATED | COPPER ALLOY | CONTACT | 4 |
| NICKEL PLATED | COPPER ALLOY | METAL NUT | 3 |
| - | - | O-RING | 2 |
| NICKEL PLATED | COPPER ALLOY | M12, FEMALE, METAL BODY | 1 |
| OTHERS | MATERIAL | DESCRIPTION | ITEM |

| | | | |
|---|--|--|---|
| THIS DRAWING IS A CONTROLLED DOCUMENT. | | DWN TONY FAN 12JUN2018 | TE Connectivity M12 PANEL MOUNT CONNECTOR L CODE, MALE, REAR MOUNT, PCB SOLDERING |
| DIMENSIONS: mm | | CHK GINO YAO 12JUN2018 | |
| TOLERANCES UNLESS OTHERWISE SPECIFIED: | | APVD CHRIS WANG 12JUN2018 | |
| 0 PLC ± 1 PLC ± 2 PLC ± 3 PLC ± 4 PLC ± ANGLES ± FINISH - | | PRODUCT SPEC 108-137350 APPLICATION SPEC 114-137144 WEIGHT - CUSTOMER DRAWING | |
| SIZE A2 CAGE CODE - DRAWING NO. G-T4140L120X1000 RESTRICTED TO SCALE 5:1 SHEET 1 OF 1 REV A1 | | | |

X-ON Electronics

Largest Supplier of Electrical and Electronic Components

Click to view similar products for [Circular Metric Connectors](#) category:

Click to view products by [TE Connectivity](#) manufacturer:

Other Similar products are found below :

[1424048](#) [1021212](#) [600X518037X](#) [6STD09SAM99B70X](#) [6STD15PCR99B70A](#) [8R4000A16M020](#) [1200910002](#) [1201150041](#) [1203580030](#)
[1200700064](#) [1200700263](#) [1200700416](#) [1200730102](#) [1200770002](#) [1-2823588-2](#) [130203-0054](#) [1300140026](#) [1300150099](#) [1-3637-600-5205](#)
[1545399](#) [1594331](#) [1600413](#) [1612606](#) [1612618](#) [1614660](#) [1A4000-348](#) [CA06EW24-10P-B-03](#) [21036836414](#) [2823064-1](#) [1610759](#) [A1642LK-](#)
[II-T](#) [1R3006A20M005](#) [41-01016](#) [41-40011](#) [41-40017](#) [42-00006](#) [42-01015](#) [4-22279-4](#) [4-22281-1](#) [4-22284-9](#) [43-00002](#) [43-00113](#) [43-00130](#)
[43-01028](#) [43-01034](#) [43-01088](#) [43-01090](#) [43-01203](#) [43-01209](#) [43-01335](#)