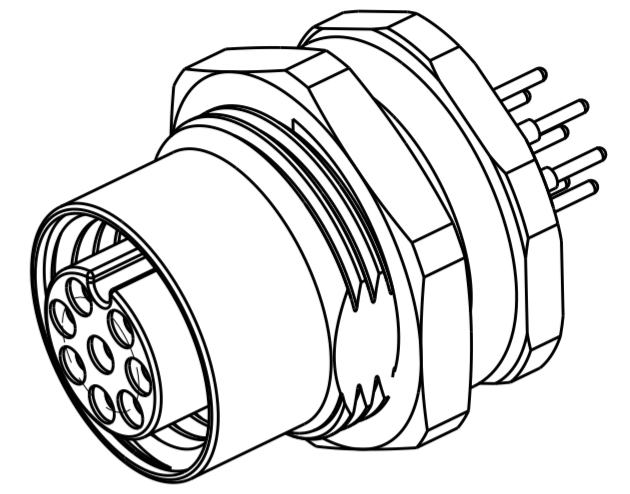
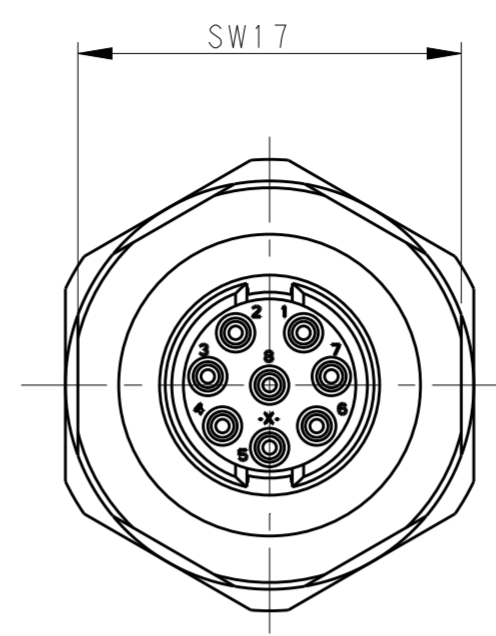
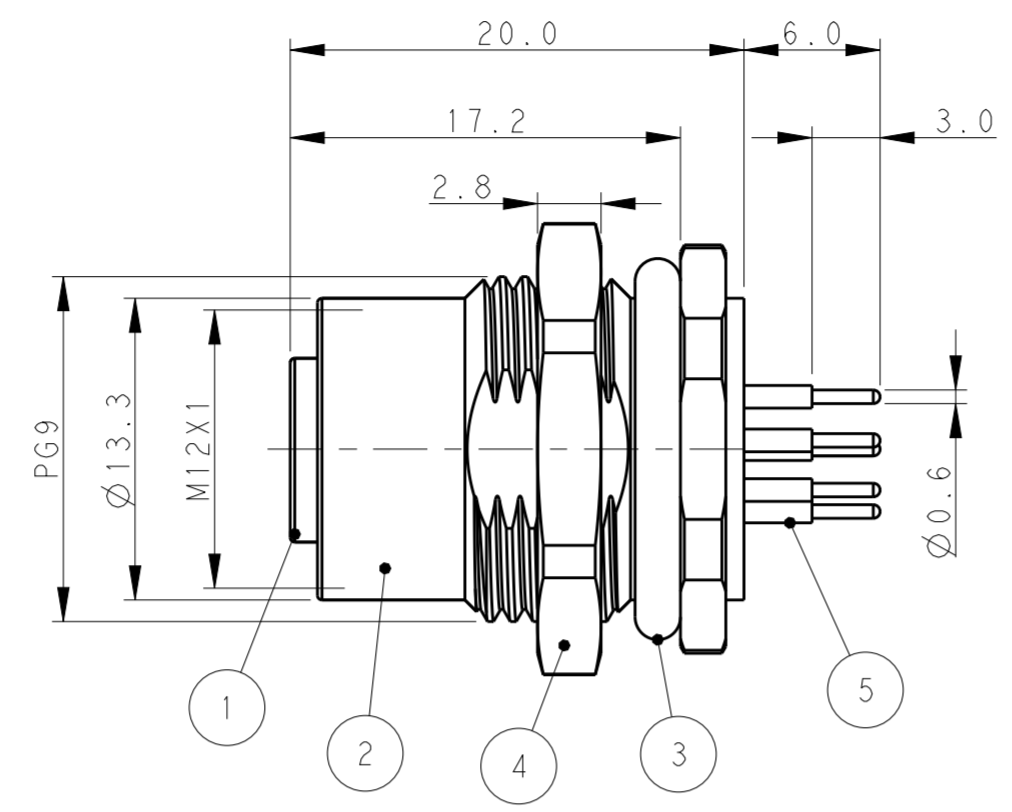
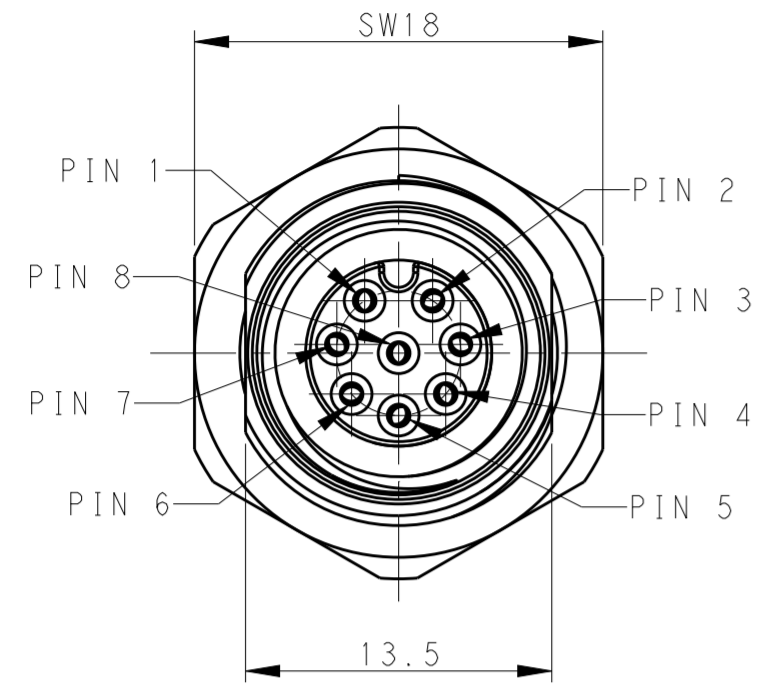


THIS DRAWING IS UNPUBLISHED. RELEASED FOR PUBLICATION 20
 © COPYRIGHT 20 BY - ALL RIGHTS RESERVED.

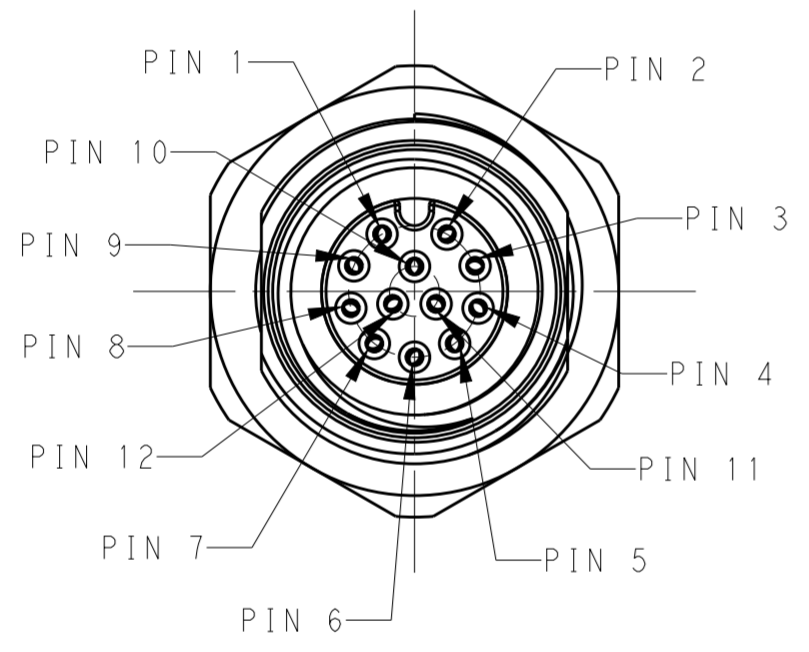
| REVISIONS | | | | | |
|-----------|-----|-----------------|-----------|-----|------|
| P | LTR | DESCRIPTION | DATE | DWN | APVD |
| A | | INITIAL RELEASE | 06JAN2018 | G.W | C.W |
| A1 | | ECR-18-003481 | 08MAR2018 | G.W | C.W |



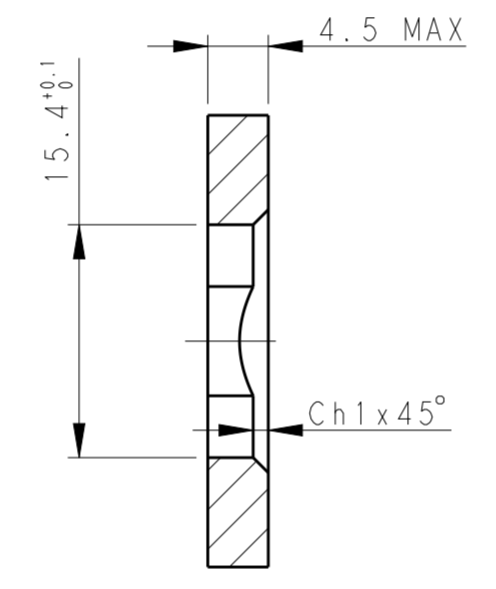
- NOTE:
1. TECHNICAL DATA: SEE TABLE 1
 2. RECOMMENDED PANEL CUTOUT AND PCB LAYOUT SEE DETAIL
 3. PACKAGING: 1 PIECE IN A BAG
 4. ALL DIMENSIONS ARE FOR NOMINAL REFERENCE ONLY UNLESS OTHERWISE STATED

- 注释:
1. 技术参数, 见表 1
 2. 推荐面板及PCB开孔尺寸详见如图所示
 3. 包装: 1PCS/袋
 4. 所有尺寸仅供参考, 除非另有说明

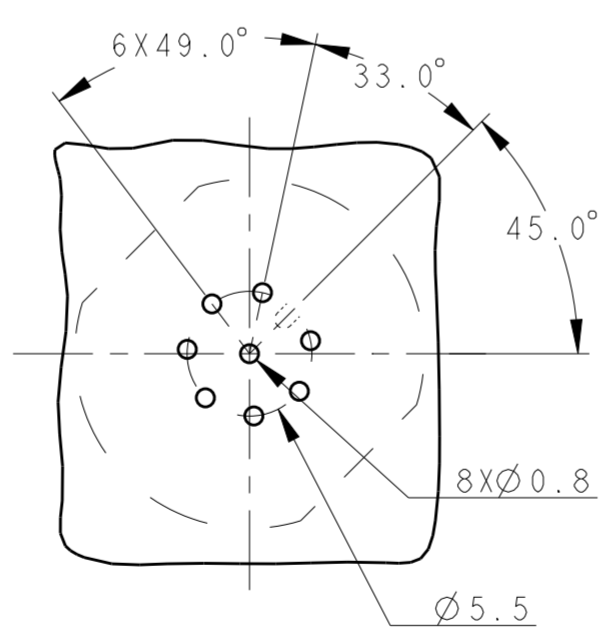
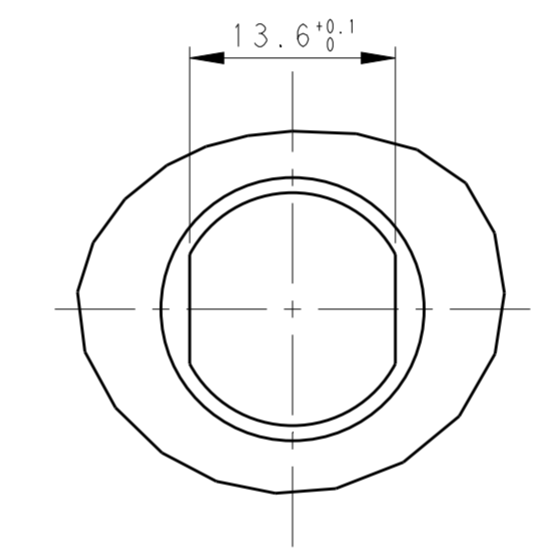
M12, FEMALE, 8POLES



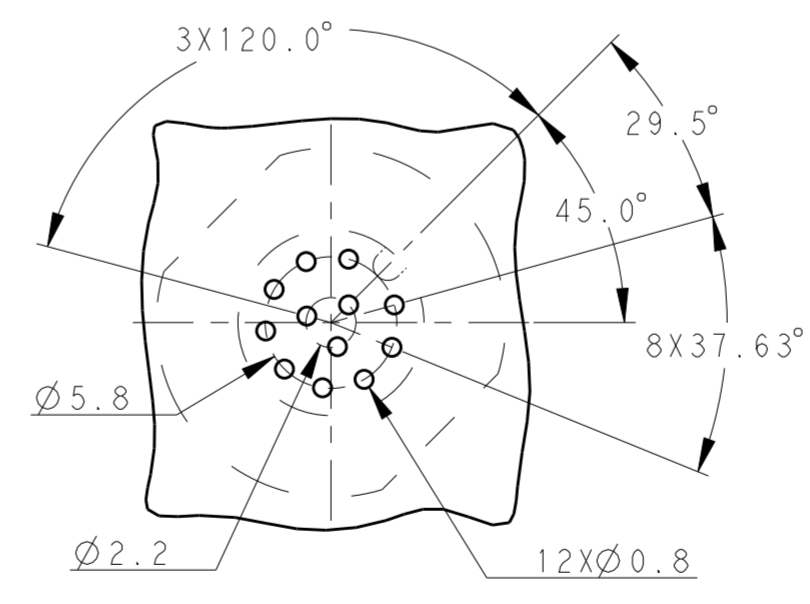
M12, FEMALE, 12POLES



RECOMMENDED PANEL CUTOUT



FOR 8POS.



FOR 12POS.

RECOMMENDED PCB LAYOUT

TABLE 1

| TECHNICAL DATA | T4141012081-000 | T4141012121-000 |
|-----------------------|-----------------|-----------------|
| RATED VOLTAGE | 30V | 30V |
| RATED CURRENT | 2A | 1.5A |
| POLLUTION DEGREE | 3 | 3 |
| OVERVOLTAGE CATEGORY | II | II |
| MATERIAL GROUP | II | II |
| DEGREE OF PROTECTION | IP67 | IP67 |
| OPERATION TEMPERATURE | -40~85°C | -40~85°C |

| TYPE | POS. | PART NUMBER |
|--------------------------|------|-----------------|
| RPC-M12-FF-12CON-PG9-LBU | 12 | T4141012121-000 |
| RPC-M12-FF-8CON-PG9-LBU | 8 | T4141012081-000 |

| OTHERS | MATERIAL | DESCRIPTION | ITEM |
|---------------|--------------|-------------------------|------|
| GOLD PLATED | COPPER ALLOY | CONTACT | 5 |
| NICKEL PLATED | COPPER ALLOY | METAL NUT | 4 |
| - | - | O-RING | 3 |
| NICKEL PLATED | COPPER ALLOY | M12, FEMALE, METAL BODY | 2 |
| - | PA66 | M12, FEMALE HSG | 1 |

THIS DRAWING IS A CONTROLLED DOCUMENT.

| | | | |
|-------------|---|--------------------------------|--|
| DIMENSIONS: | TOLERANCES UNLESS OTHERWISE SPECIFIED: | DWN 06JAN2018 Gavin Wang | TE Connectivity |
| mm | 0 PLC ± 1 PLC ± 2 PLC ± 3 PLC ± 4 PLC ± | CHK 06JAN2018 Kevin Huang | |
| | ANGLES ± | APVD 06JAN2018 Chris Wang | |
| MATERIAL | FINISH | PRODUCT SPEC 108-106140 | |
| | | APPLICATION SPEC 114-137144 | NAME M12 PANEL MOUNT CONNECTOR A CODE, FEMALE, REAR MOUNT PCB SOLDERING |
| | | WEIGHT | SIZE A2 |
| | | CUSTOMER DRAWING | CAGE CODE - |
| | | | DRAWING NO. G-T4141012081000 |
| | | | RESTRICTED TO - |
| | | | SCALE 3:1 SHEET 1 OF 1 REV A1 |

X-ON Electronics

Largest Supplier of Electrical and Electronic Components

Click to view similar products for [Circular Metric Connectors](#) category:

Click to view products by [TE Connectivity](#) manufacturer:

Other Similar products are found below :

[1424048](#) [1021212](#) [600X518037X](#) [6STD09SAM99B70X](#) [6STD15PCR99B70A](#) [8R4000A16M020](#) [1200910002](#) [1201150041](#) [1203580030](#)
[1200700064](#) [1200700263](#) [1200700416](#) [1200730102](#) [1200770002](#) [1-2823588-2](#) [130203-0054](#) [1300140026](#) [1300150099](#) [1-3637-600-5205](#)
[1545399](#) [1594331](#) [1600413](#) [1612606](#) [1612618](#) [1614660](#) [1A4000-348](#) [CA06EW24-10P-B-03](#) [21036836414](#) [2823064-1](#) [1610759](#) [A1642LK-](#)
[II-T](#) [1R3006A20M005](#) [41-01016](#) [41-40011](#) [41-40017](#) [42-00006](#) [42-01015](#) [4-22279-4](#) [4-22281-1](#) [4-22284-9](#) [43-00002](#) [43-00113](#) [43-00130](#)
[43-01028](#) [43-01034](#) [43-01088](#) [43-01090](#) [43-01203](#) [43-01209](#) [43-01335](#)