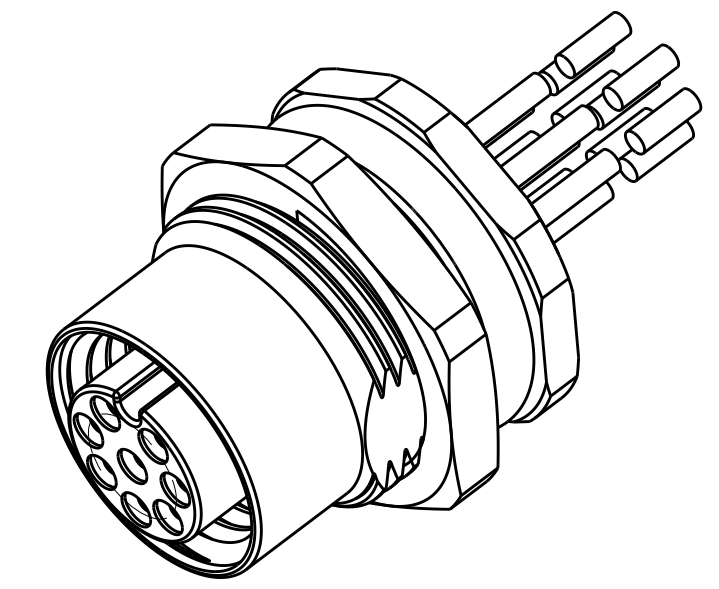
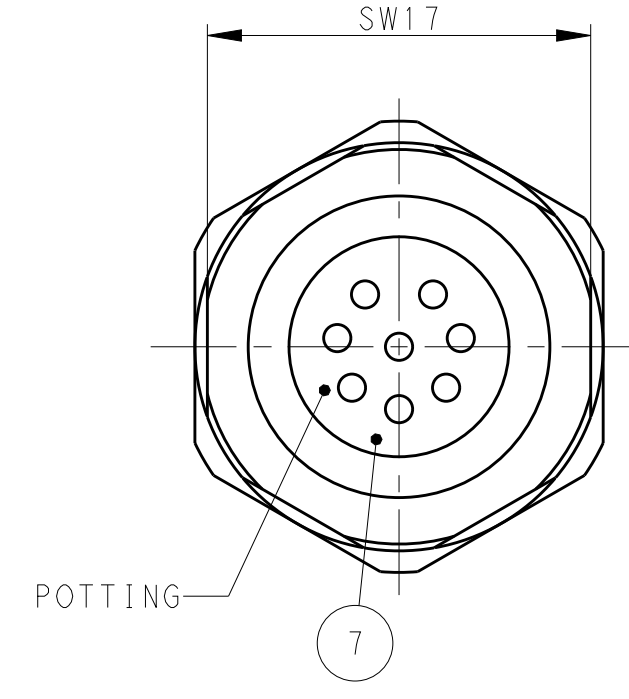
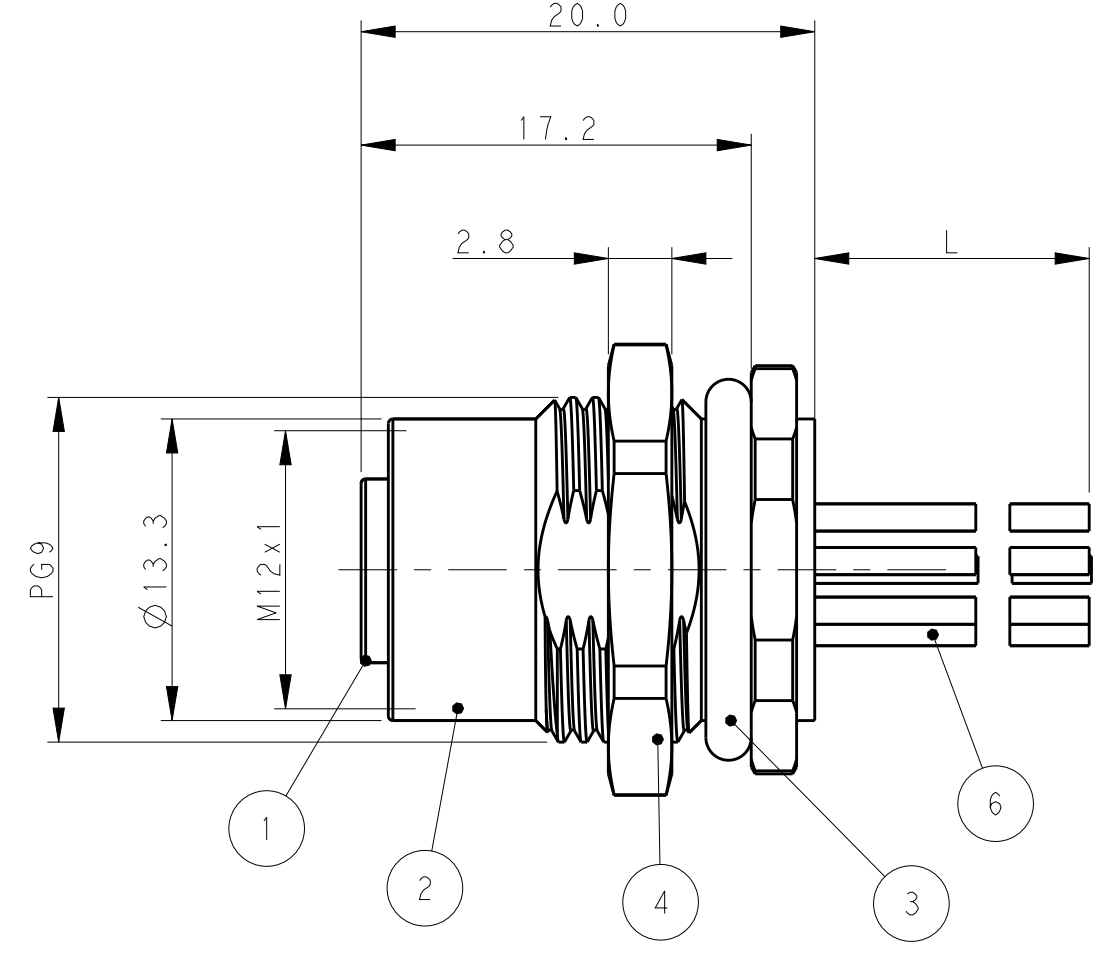
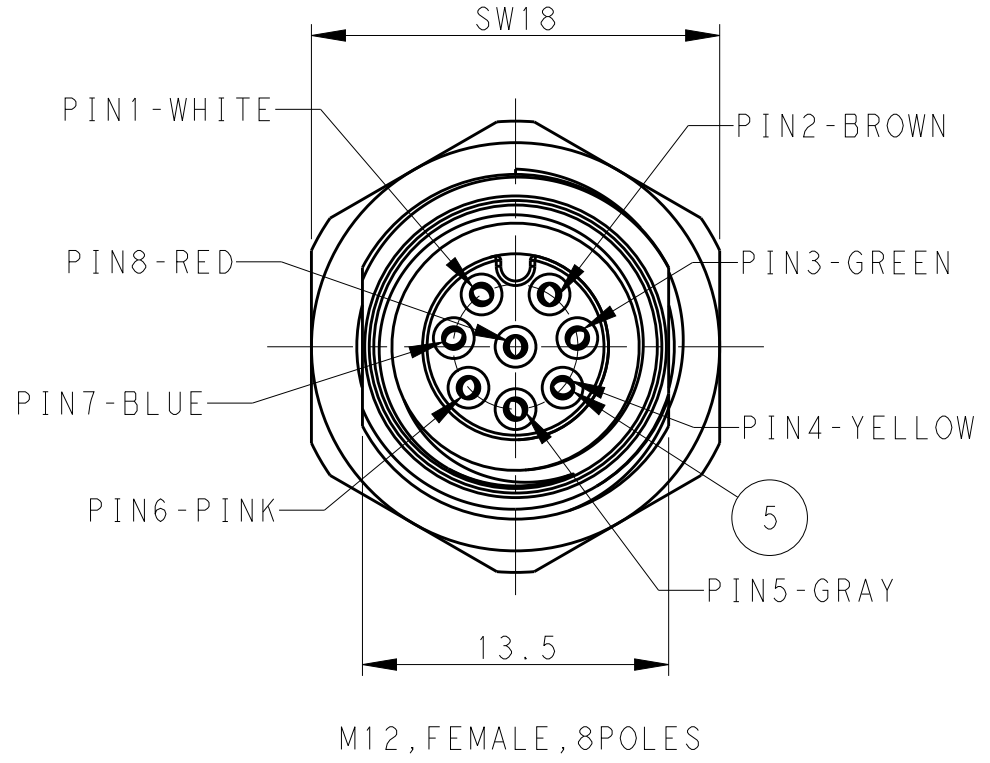


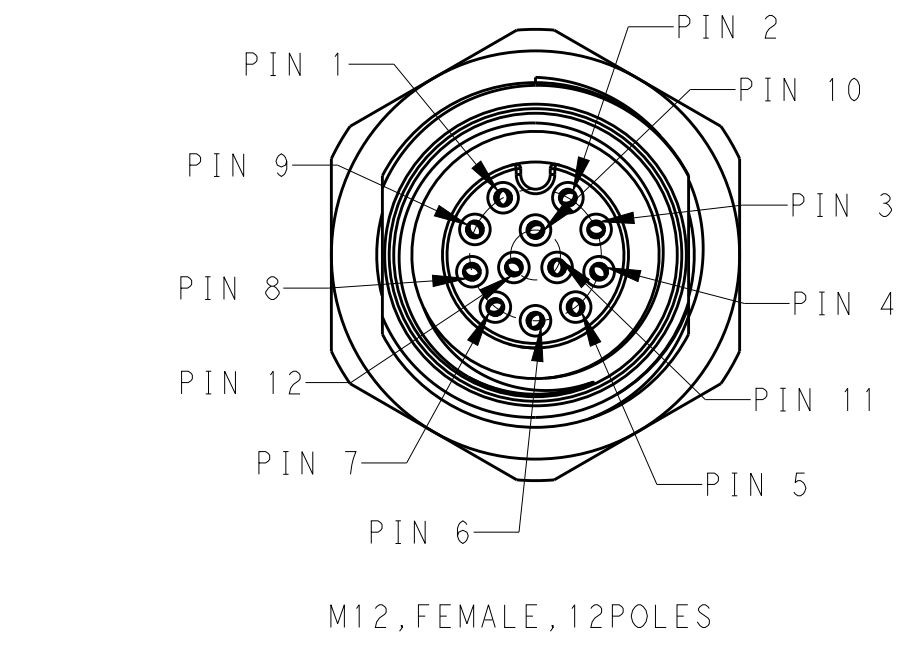
THIS DRAWING IS UNPUBLISHED. RELEASED FOR PUBLICATION  
 © COPYRIGHT copyright.d8Te- ALL RIGHTS RESERVED.

REVISIONS				
P	LTR	DESCRIPTION	DATE	APVD
A		INITIAL RELEASE	03JAN2018	G.W C.W



NOTE:  
 1. TECHNICAL DATA: SEE TABLE 1  
 2. RECOMMENDED MOUNT PANEL SEE DETAIL  
 3. PACKAGING: 1 PIECE IN A BAG  
 4. ALL DIMENSIONS ARE FOR NOMINAL REFERENCE ONLY UNLESS OTHERWISE STATED

注释:  
 1. 技术参数, 见表1  
 2. 推荐开孔尺寸详见如图所示  
 3. 包装: 1PCS/袋  
 4. 所有尺寸仅供参考, 除非另有说明

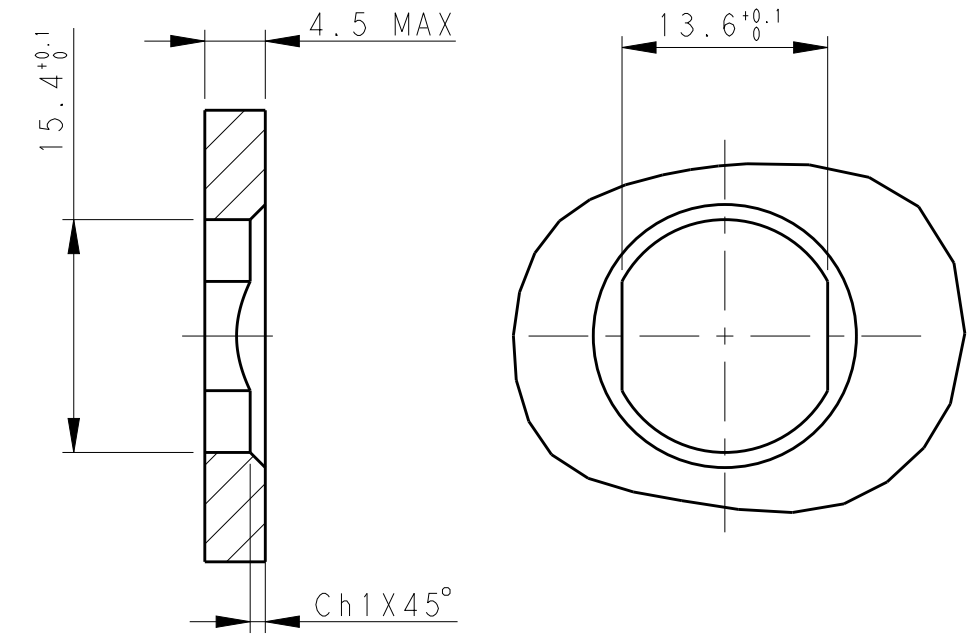


CIRCUIT DIAGRAM

WIRES:	CABLE LENGTH	TYPE	POS.	PART NUMBER
0.25MM^2(24AWG) FOR 8P	-001: 0.2M	RPC-M12-FF-12CON-PG9-X.XLAU	12	T4171130012-00X
0.14MM^2(26AWG) FOR 12P	-002: 0.5M			
	-003: 1.0M			
	-004: 1.5M			
	-005: 3.0M			
	-006: 5.0M			
	-007: 7.0M			
	-008: 10.0M			
CUSTOMIZATION:	-**0: 00.0M	RPC-M12-FF-8CON-PG9-X.XLAU	8	T4171120008-00X
	-001: **.5M			
	-99*: 0.*M			

TABLE 1

TECHNICAL DATA	T4171120008-00X	T4171130012-00X
RATED VOLTAGE	30V	30V
RATED CURRENT	2A	1.5A
POLLUTION DEGREE	3	3
OVERVOLTAGE CATEGORY	II	II
MATERIAL GROUP	II	II
DEGREE OF PROTECTION	IP67	IP67
OPERATION TEMPERATURE	-40~85°C	-40~85°C



RECOMMENDED PANEL CUTOUT

CABLE CHARACTERISTIC	EPOXY RESIN	POTTING ADHESIVE	ITEM
-	-	CABLE	7
GOLD PLATED	COPPER ALLOY	CONTACT	5
NICKEL PLATED	COPPER ALLOY	METAL NUT	4
-	-	O-RING	3
NICKEL PLATED	COPPER ALLOY	M12,FEMALE,METAL BODY	2
-	PA66	M12,FEMALE HSG	1
OTHERS	MATERIAL	DESCRIPTION	ITEM

THIS DRAWING IS A CONTROLLED DOCUMENT.

DWN: GAVIN WANG 03JAN2018  
 CHK: KEVIN HUANG 03JAN2018  
 APVD: CHRIS WANG 03JAN2018

**STE** TE Connectivity

NAME: M12 PANEL MOUNT CONNECTOR A CODE, FEMALE, REAR MOUNT WITH WIRE

PRODUCT SPEC: 108-106140  
 APPLICATION SPEC: 114-137144

SIZE: A2 CAGE CODE: - DRAWING NO: C-T417112000800X RESTRICTED TO: -

MATERIAL: - TOLERANCES UNLESS OTHERWISE SPECIFIED: 0 PLC ±, 1 PLC ±, 2 PLC ±, 3 PLC ±, 4 PLC ±, ANGLES ±, FINISH -

WEIGHT: -

CUSTOMER DRAWING SCALE: 3:1 SHEET 1 OF 1 REV A

## X-ON Electronics

Largest Supplier of Electrical and Electronic Components

*Click to view similar products for [Circular Metric Connectors](#) category:*

*Click to view products by [TE Connectivity](#) manufacturer:*

Other Similar products are found below :

[1424048](#) [1021212](#) [600X518037X](#) [6STD09SAM99B70X](#) [6STD15PCR99B70A](#) [8R4000A16M020](#) [1200910002](#) [1201150041](#) [1203580030](#)  
[1200700064](#) [1200700263](#) [1200700416](#) [1200730102](#) [1200770002](#) [1-2823588-2](#) [130203-0054](#) [1300140026](#) [1300150099](#) [1-3637-600-5205](#)  
[1545399](#) [1594331](#) [1600413](#) [1612606](#) [1612618](#) [1614660](#) [1A4000-348](#) [CA06EW24-10P-B-03](#) [21036836414](#) [2823064-1](#) [1610759](#) [A1642LK-](#)  
[II-T](#) [1R3006A20M005](#) [41-01016](#) [41-40011](#) [41-40017](#) [42-00006](#) [42-01015](#) [4-22279-4](#) [4-22281-1](#) [4-22284-9](#) [43-00002](#) [43-00113](#) [43-00130](#)  
[43-01028](#) [43-01034](#) [43-01088](#) [43-01090](#) [43-01203](#) [43-01209](#) [43-01335](#)