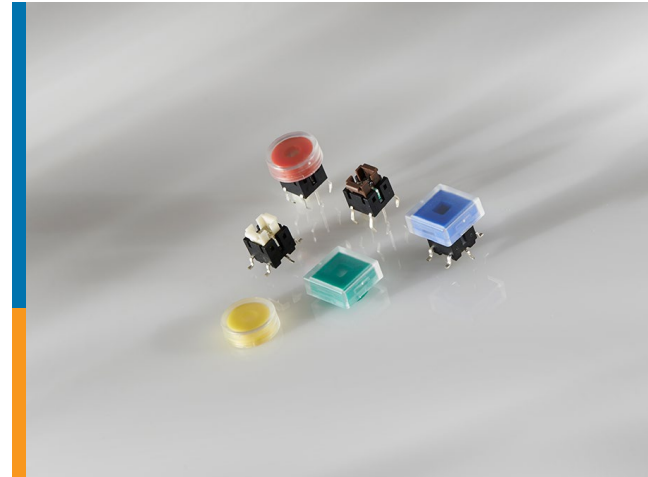


ALCOSWITCH ILLUMINATED TACTILE SWITCH SERIES

with Tactile Cap Series

TE Connectivity (TE)'s ALCOSWITCH Illuminated Tactile switch series is designed for easy operation and reliability in a variety of board mounted applications. The tactile switch includes an LED indicator, available in low and high intensity versions, and 8 unique color options. Rated up to 500,000 electrical lifecycles, the Illuminated Tactile series is designed to last. We offer the translucent caps in two different styles, round and square and in five different colors. The caps correspond with the LED color.



Applications

The illuminated tactile switch is well suited for designs requiring illuminated interfaces via pushbutton style switches including:

- Industrial equipment
- Building Automation / HVAC equipment
- Instrumentation
- Communication equipment
- Control equipment

Electrical

- Electrical life (pushbutton only):

100/160 GF (grams-force):	500,000 cycles
260/520 GF (grams-force):	200,000 cycles

Mechanical

- Number of poles: 1
- Switch Functions: OFF-(ON)
- Contact Rating: 50 mA @ 12 VDC

Specifications

- RoHS Directive 2002/95/E compliant
- REACH Compliant and Pb Free

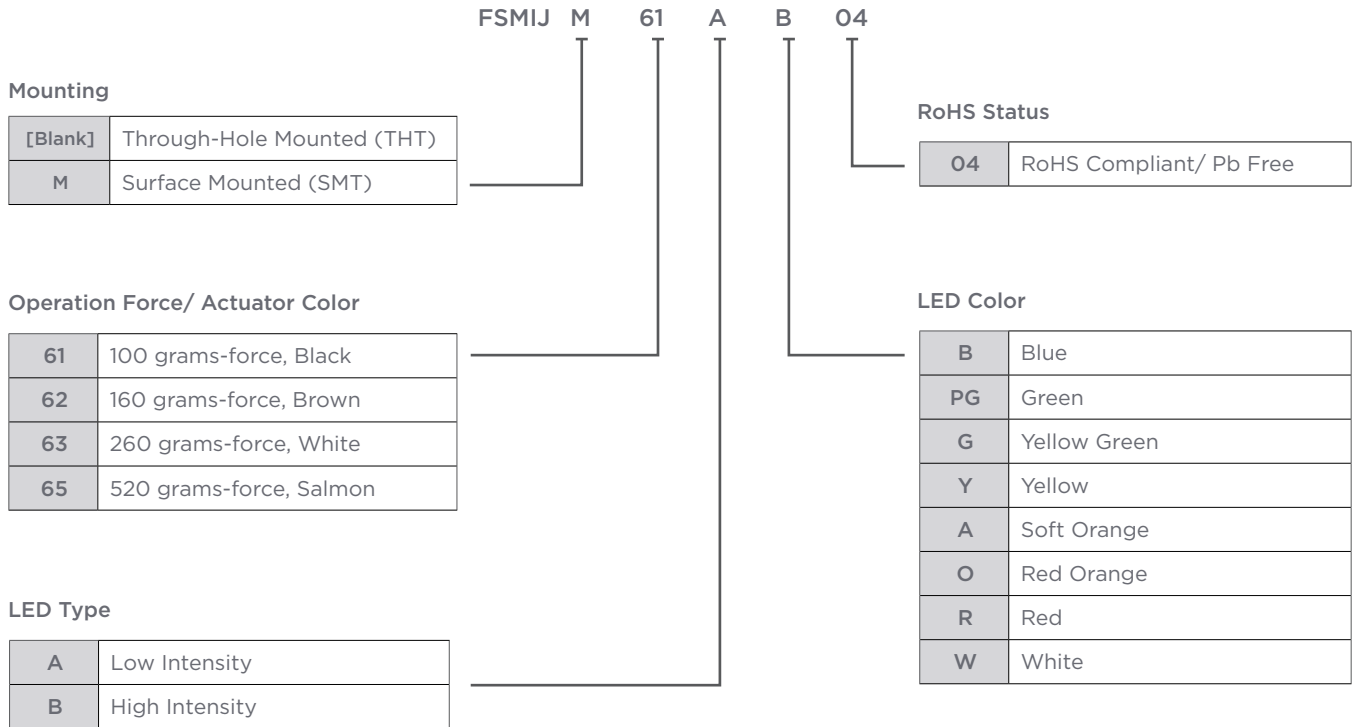
Materials

- Contacts: Stainless Steel, Silver plated
- Actuator: High temperature Thermoplastic (UL94-V0)
- Terminals: Brass, Silver Plated
- Case: High temperature Thermoplastic (UL94-V0)

Benefits

- Durability with switches rated up to 500,000 electrical life cycles
- Achieve design flexibility with low or high intensity LED indicators available in 8 color options
- Save board space with integrated super-bright LED
- Faster board assembly with reflow or wave solder compatible designs
- Enable ease of use with tactile and audible feedback
- Designed to fit your specific application with a wide range of actuation forces available
- Caps enhance the size of the illumination
- Caps offer an easy type of actuation of the existing switch

Product Key



For additional product information, including drawings, customer viewable models, and distributor inventory, please visit TE.com. Use the Product Key to determine the desired part configuration, or reference the below Part Selection table.

Product Selection Information

Descriptive PN	Body Style	LED Intensity	LED color	TE PN
FSMIJ61AB04	Illuminated 6x6 Tact, THT	LI	Blue	2213818-1
FSMIJ62AG04	Illuminated 6x6 Tact, THT	LI	Yellow Green	1-2213818-9
FSMIJ63AR04	Illuminated 6x6 Tact, THT	HI	Soft Orange	3-2213818-9
FSMIJ65AB04	Illuminated 6x6 Tact, THT	LI	Blue	4-2213818-9
FSMIJM61AB04	Illuminated 6x6 Tact, SMT	LI	Blue	2213819-1
FSMIJM62BB04	Illuminated 6x6 Tact, SMT	HI	Blue	2-2213819-5
FSMIJM63BB04	Illuminated 6x6 Tact, SMT	HI	Blue	4-2213819-1
FSMIJM65AR04	Illuminated 6x6 Tact, SMT	LI	Red	5-2213819-5
FSMIJ61ASPG04	Illuminated 6x6 Tact, SMT	HI	Pure Green	2213818-2
FSMIJ61AY04	Illuminated 6x6 Tact, SMT	HI	Yellow	2213818-8
FSMIJ61AO04	Illuminated 6x6 Tact, SMT	HI	Red Orange	2213818-6
FSMIJ61AW04	Illuminated 6x6 Tact, SMT	HI	Cold White	2213818-4

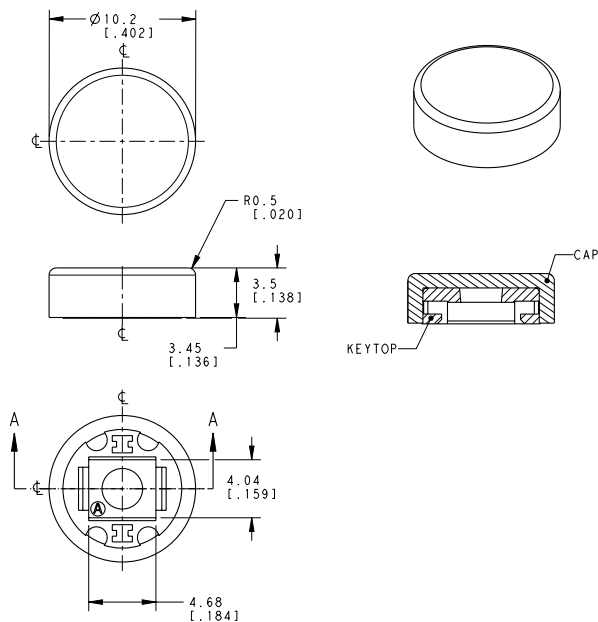
LI = low intensity
HI = high intensity

Product Selection Information

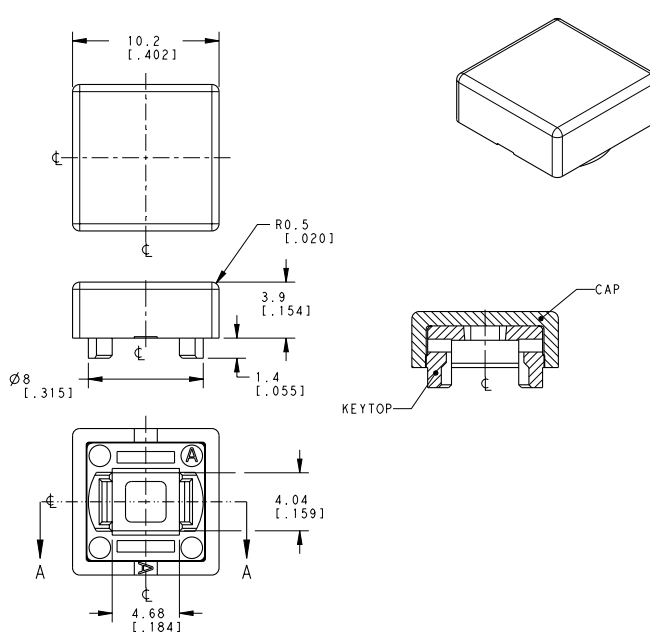
Switch LED Color		Recommended Cap Color	TE PN Round Cap	TE PN Square Cap
Blue		Blue	2311402-4	2311403-4
Pure Green		Green	2311402-1	2311403-1
Yellow Green		Yellow	2311402-5	2311403-5
Yellow Green		Green	2311402-1	2311403-1
Yellow		Yellow	2311402-5	2311403-5
Soft Orange		Red	2311402-3	2311403-3
Red Orange		Red	2311402-3	2311403-3
Red		Red	2311402-3	2311403-3
Cold White		Black	2311402-2	2311403-2

Dimensions

Part Number 2311402



Part Number 2311403



te.com

© 2017 TE Connectivity. All Rights Reserved. ALCOSWITCH, TE, TE Connectivity, and the TE connectivity (logo) are trademarks of the TE Connectivity Ltd. family of companies. Other logos, product and Company names mentioned herein may be trademarks of their respective owners.

While TE has made every reasonable effort to ensure the accuracy of the information in this brochure, TE does not guarantee that it is error-free, nor does TE make any other representation, warranty or guarantee that the information is accurate, correct, reliable or current. TE reserves the right to make any adjustments to the information contained herein at any time without notice. TE expressly disclaims all implied warranties regarding the information contained herein, including, but not limited to, any implied warranties of merchantability or fitness for a particular purpose. The dimensions in this catalog are for reference purposes only and are subject to change without notice. Specifications are subject to change without notice. Consult TE for the latest dimensions and design specifications.

1-1773878-5 BH 01/2017

USA: +1 (800) 522-6752
 Canada: +1 (905) 475-6222
 Mexico: +52 (0) 55-1106-0800
 Latin/S. America: +54 (0) 11-4733-2200
 Germany: +49 (0) 6251-133-1999
 UK: +44 (0) 800-267666
 France: +33 (0) 1-3420-8686
 The Netherlands: +31 (0) 73-6246-999
 China: +86 (0) 400-820-6015



X-ON Electronics

Largest Supplier of Electrical and Electronic Components

Click to view similar products for [Tactile Switches](#) category:

Click to view products by [TE Connectivity](#) manufacturer:

Other Similar products are found below :

[KMR633NG LFG](#) [5GTH9202242](#) [6426-201-11343](#) [MJ1226](#) [MJTP1109B](#) [MJTP1138EAUTR](#) [MJTP1230BL](#) [MJTPSHW](#) [GS6.90F300QP](#) [1-1977223-0](#) [1-1977120-4](#) [ADTSA62NV](#) [ADTSA62RV](#) [ADTSA63KV](#) [ADTSA644NV](#) [ADTSM24NVTR](#) [ADTSMW66NV](#) [ADTSMW67RV](#) [ATM533VTR](#) [1571300-3](#) [B3F-3123](#) [B3F-6055A](#) [B3F-B32-01-KIT](#) [1977177-8](#) [1977266-1](#) [2-1977223-4](#) [2-1977223-7](#) [ADTS644KV](#) [ADTSA61RV](#) [ADTSA62KV](#) [ADTSA63NV](#) [ADTSA63RV](#) [ADTSA65NV](#) [ADTSM21NSVTR](#) [ADTSM25RVTR](#) [ADTSM31RVTR](#) [ADTSM32NVTR](#) [ADTSM61YVTR](#) [ADTSM63SVTR](#) [ADTSM644KVTR](#) [ADTSMW64RV](#) [ADTSMW69NV](#) [FSMRA4JHA04](#) [GS4.70F300QP](#) [D38999/20JJ37SA](#) [TL1105B](#) [TL1105J](#) [ATH447K2Q](#) [ATM534VTR](#) [MJ1215](#)