

**EVC 500 Main Contactor**

- Limiting continuous current 500A at 85°C (with 400mcm conductors)
- Hermetically sealed
- UL approved

Typical applications

- DC high voltage high current applications
- Main contactors for hybrid, full battery electric vehicles and fuel-cell cars
- Battery charging systems



3D500\_fw5

**Contact Data**

Contact arrangement	1 Form X (SPST NO DM)
Rated operating voltage	450VDC (450-900VDC) <sup>1)</sup>
Continuous carry current <sup>2)</sup>	500A
85°C, load cable 214mm <sup>2</sup> /400mcm	
Limiting short-time current	
85°C, load cable 107mm <sup>2</sup> /200mcm	500A / 7.5min 1000A / 1min 2000A / 15s
Make/break current at various voltages	see graph on page 3
Limiting break current, forward direction resistive load, 23°C, 450VDC	1 x 1560A
Load life	see graph on page 3
Initial contact voltage drop at 200A, 30s	<100mV
Operate / release time max.	
close (includes bounce)	20 <sup>3)</sup>
bounce (after close only)	7
release (includes arcing) at 2000A	12
Mechanical life	>500,000 cycles

- 1) Suitable for voltages up to 450VDC with limited capability to 900VDC.
- 2) Maximum allowed terminal temperatures are: 150°C continuous; 175°C for 2h; 200°C for 2min.
- 3) 20ms (max.) at rated 12V. Consult TE Connectivity for operating time not done at rated voltage.

**Coil Data<sup>4)</sup>**

**Economized coil with internal economizer (valid from -40°C to 85°C)**

Coil code	Operating voltage range VDC	Inrush current at 23°C A	Max. inrush time ms	Nominal frequency kHz	Nominal duty cycle %
A	9 to 36	3.8	130	19.9	20

**Un-economized coil for external economization<sup>5)</sup>**

Coil code	Rated voltage VDC	Pull-in voltage min. VDC	Pull-in voltage max. VDC	Drop-out voltage max. VDC	Drop-out voltage min. VDC	Min. hold current mA	Coil resistance Ω -5%/+10%
1	12	4.2	6.5	1.5	0.5	650 <sup>6)</sup>	3.14

- 4) All data valid at 23°C coil temperature.
- 5) Un-economized coil must be economized by the customer to avoid overheating.
- 6) Must operate at 12V for 100ms before reducing to minimum holding current.

**Coil Data (continued)**

**Recommended PWM parameters for customer supplied economizer circuit (valid from -40°C to 85°C)**

Frequency kHz	Operating voltage range VDC	Coil Current (min. recommended RMS) mA	Duty cycle %	Max. inrush time ms
16 to 20	8.5 to 16	650	20 to 30	200

**Insulation Data**

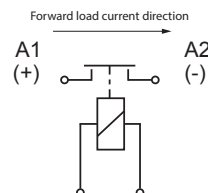
Initial dielectric strength <sup>7)</sup>	
between open contacts	2920VDC/leakage <1mA
between contact and coil	2920VDC/leakage <1mA
max. altitude	5000m
Insulation resistance at 500VDC <sup>7)</sup>	
between open contacts	>1 GΩ
between contact and coil	>1 GΩ

- 7) Meets dielectric strength and IR requirements according to ISO 6469-3, conformity to IEC60664-1 in preparation.

**Other Data**

Material data	
EU RoHS/ELV compliant	
Ambient temperature	-40°C to +85°C
Vibration resistance (functional)	
sine sweep/peak	80-2000Hz/20g
Shock resistance (functional)	
coil energized, peak	50g
Terminal type	stripped wires (coil) and screw (load)
Weight	approx. 430g (0.95lb)

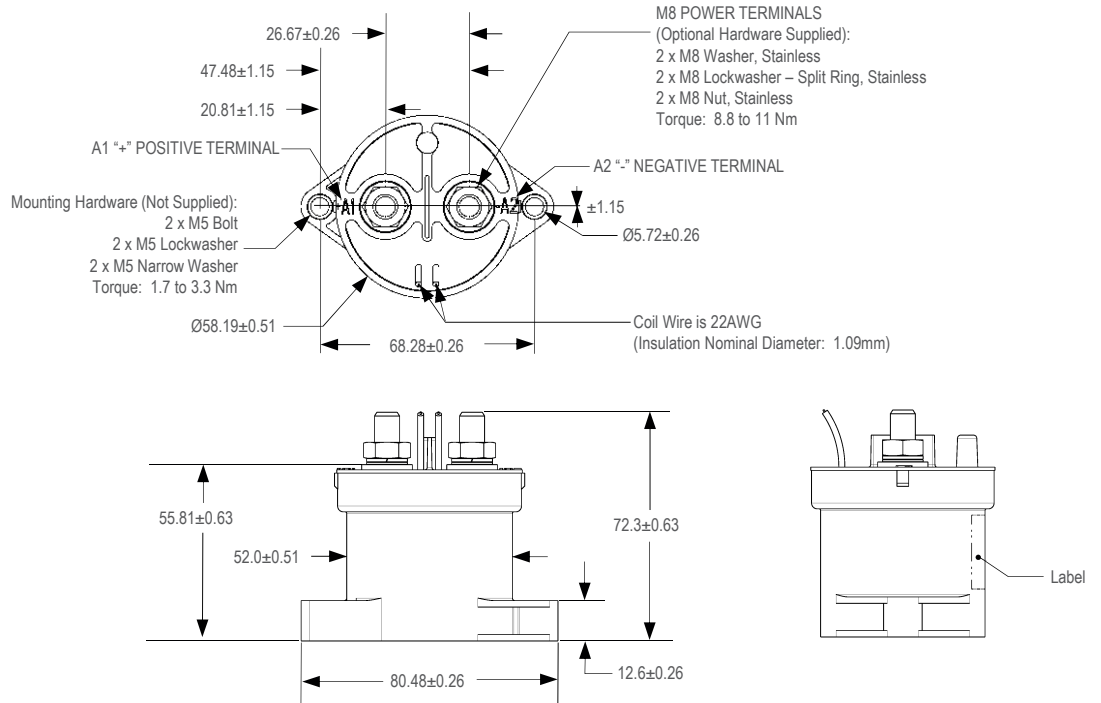
**Terminal Assignment**



**EVC 500 Main Contactor** (Continued)

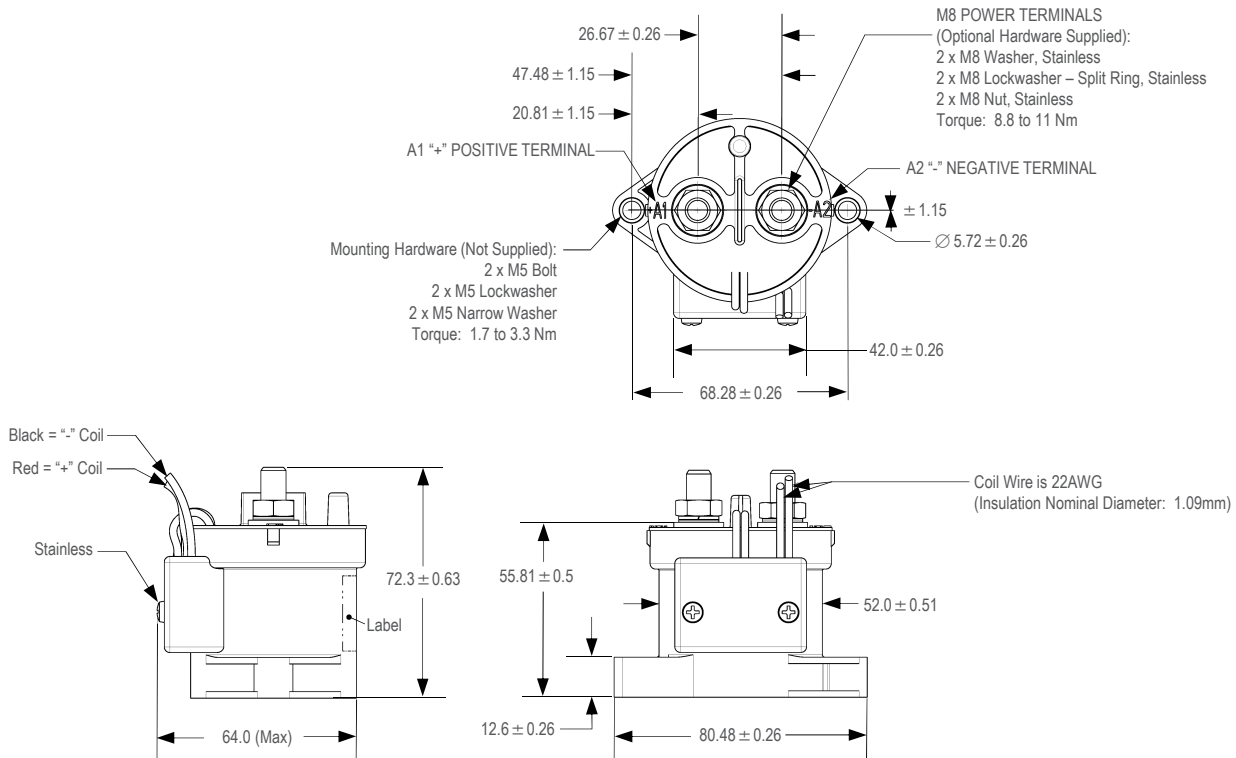
**Dimensions**

EVC 500 main contactor without coil economizer



**Dimensions**

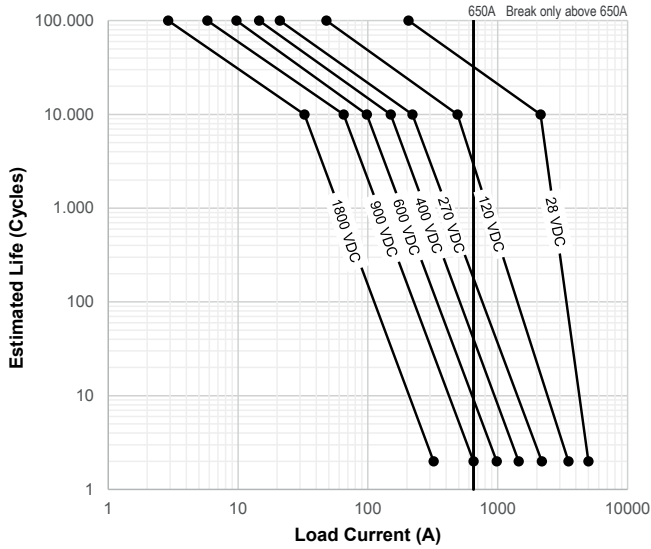
EVC 500 main contactor with internal economizer



**EVC 500 Main Contactor** (Continued)

**Contact performance**

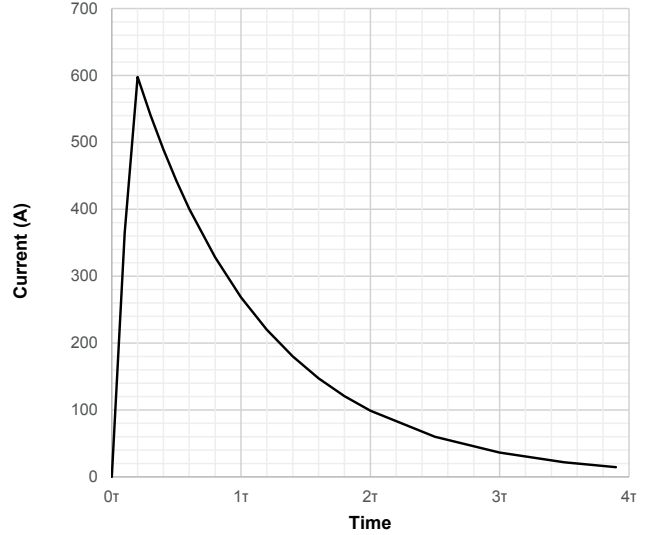
Estimated make and break power switching ratings (forward direction)



**Notes:**

- 1) Maximum of 300μH for resistive load. Consult TE Connectivity for inductive loads.
- 2) Estimates based on extrapolated data. Consult TE Connectivity to confirm performance in application.
- 3) End of life when "Insulation Resistance" between terminals falls below 50 MΩ at 500VDC.
- 4) The maximum make current is 650A to avoid contact welding.
- 5) Curves for voltages above maximum rated voltage for information purpose only.
- 6) For reverse current switching capability, please contact TE Connectivity for details.

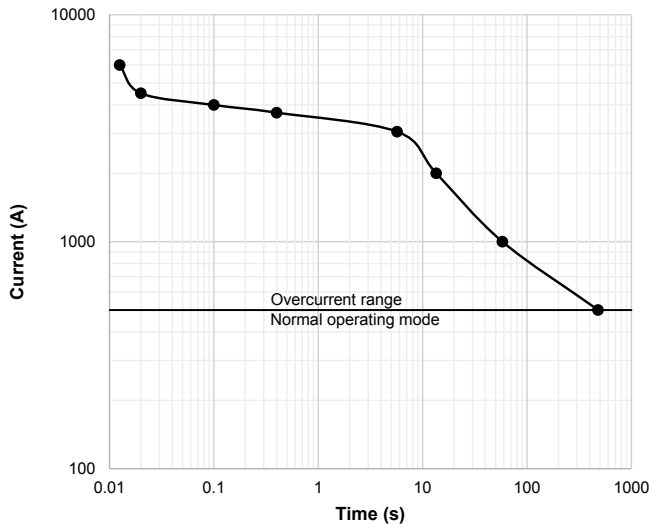
Contacts closed into capacitor precharge sequence at various time constants



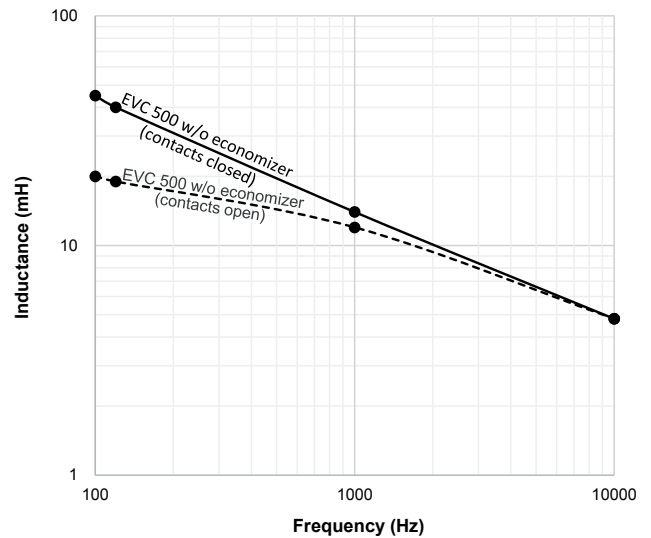
**Notes:**

- 1) Because higher current cause more damage to contact surface, at least 95% precharge recommended.
- 2) Inrush current dependent upon RC time constant and precharge timing sequence.

Estimated fuse guide for EVC 500 contactors  
(Reference only – not to be used for actual fuse sizing)



**Coil inductance**



**Note:**

Data points above were measured using Quadtech 1715 LCR Bridge set 10Ω range, 1V output, measured at 100Hz, 120Hz, 1kHz and 10kHz.

**EVC 500 Main Contactor** (Continued)

<b>Product code structure</b>	Typical product code		<b>EVC 500</b>	<b>-A</b>	<b>1</b>	<b>-A</b>	<b>N</b>	<b>A</b>	<b>M</b>
<b>Type</b>	<b>EVC 500</b> EVC 500 Main Contactor								
<b>Contact arrangement</b>	<b>A</b> SPST-NO-DM								
<b>Coil system</b>	<b>1</b> 12VDC (requires external economizer)			<b>A</b> 12VDC (internal economizer)					
<b>Coil wire length</b>	<b>A</b> 15.3 inches (390mm)								
<b>Coil termination</b>	<b>N</b> None – stripped wires				<b>C</b> Customer specific connector				
<b>Mounting &amp; power terminals</b>	<b>A</b> Bottom mount & male 10mm x M8 terminals								
<b>Connection hardware (power terminals)</b>	<b>M</b> Connection hardware included				<b>N</b> No connection hardware included				

**Production in Americas** (only)

Product code	Contact arrang.	Coil	Circuit	Coil suppr.	Relay Type	Resistance	Part number
EVC 500-A1ANAM	SPDT-NO-DM	12VDC	No economizer	External >40V	450VDC	3.14Ω	2098372-1
EVC 500-AAANAM			Internal PWM	Internal			2098190-1

**Production in Asia** (only)

Product code	Contact arrang.	Coil	Circuit	Coil suppr.	Relay Type	Resistance	Part number
EVC 500-A1ANAM	SPDT-NO-DM	12VDC	No economizer	External >40V	450VDC	3.14Ω	2219561-1
EVC 500-AAANAM			Internal PWM	Internal			2299223-2

## X-ON Electronics

Largest Supplier of Electrical and Electronic Components

*Click to view similar products for [Automotive Relays](#) category:*

*Click to view products by [TE Connectivity](#) manufacturer:*

Other Similar products are found below :

[896H-1AH-D1SW-001-24VDC](#) [896H-1AH-D1SW-R1-12VDC](#) [896H-1CH-C1-001-12VDC](#) [896H-1CH-S-24VDC](#) [896HP-1AH-C-12VDC](#)  
[G5CE1ASIDC12](#) [AEV31024](#) [1393204-2](#) [1393302-3](#) [13Z99A115-0074](#) [1432872-1](#) [1617057-2](#) [2-1617057-2](#) [CB1F-M-12V-H15](#) [CB1-T-R-M-](#)  
[12V](#) [896H-1CH-D1SF-R1-12VDC](#) [896H-1CH-D1SF-R1-T-12VDC](#) [898H-1AH-D-001-12VDC](#) [24198-1](#) [5-1616920-2](#) [5-1617052-9](#) [5407-](#)  
[0011-HS](#) [CB1AF-M-12V-H59](#) [5-1617346-8](#) [103-1AH-C-12VDC](#) [CF2Q-12V](#) [V23134A1052X299](#) [CP112J](#) [896H-1AH-S1-001-12VDC](#)  
[897H-1AH-D-R1-U01-12VDC](#) [896H-1CH-D-U39-24VDC](#) [896HP-1AH-C-U2120VDC](#) [896E-1CH-D1SW-U57-12VDC](#) [896H-1CH-D1SW-](#)  
[R1-U30-12VDC](#) [896H-1AH-C1S-R1-24VDC](#) [102-1CH-C-12VDC](#) [V23076A3001D142T](#) [1-19042-6](#) [3-1393305-1](#) [J7TKNA9](#)  
[V23234A1001X043-EV-144](#) [V23086-R1851-A502](#) [898H-1AH-D1SW-R1-12VDC](#) [RH4C1P2607](#) [RE031005](#) [V23134M0052G242](#) [1393204-1](#)  
[G8N-1L-AS DC12](#) [V23076A3022D142](#) [V23074A2001A402](#)