

**MMBTA42**  
PNP TRANSISTOR



**VOLTAGE:** 300 Volts

**CURRENT:** 0.5 Amperes

SOT-23

Marking and Polarity

**FEATURES**

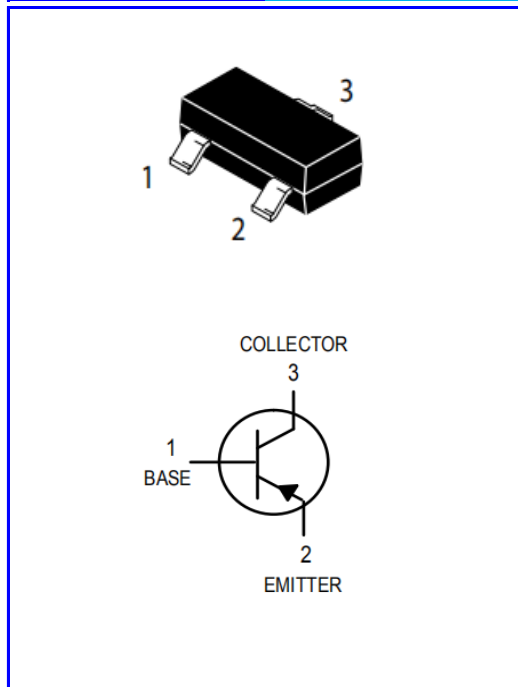
- High current capacity in compact package.  $I_C = 0.5$  A.
- Epitaxial planar type.
- Pb-Free Package is available.

**MECHANICAL DATA**

- **Package:** SOT-23
- **Epoxy UL:** 94V-0
- **Mounting position:** Any
- **Weight:** approx. 0.01g

**DEVICE MARKING**

Device	Marking
MMBTA42	1D



**Maximum Ratings** (Ratings at 25°C ambient temperature unless otherwise specified.)

Parameter	Symbol	Value	Unit
Collector-Base Voltage)	$V_{CBO}$	300	V
Collect-Emitter Voltage	$V_{CEO}$	300	V
Emitter-Base Voltage	$V_{EBO}$	6	V
Collector Current	$I_C$	500	mA
Collector Power Dissipation	$P_C$	300	mW

**Thermal Characteristics** (Ratings at 25°C ambient temperature unless otherwise specified.)

Junction Temperature	$T_J$	-55 to 150	°C
Storage Temperature Range	$T_{STG}$	-55 to 150	°C
Typical thermal resistance (Note 2)	$R_{\theta JA}$	417	°C/W

**MMBTA42**  
PNP TRANSISTOR



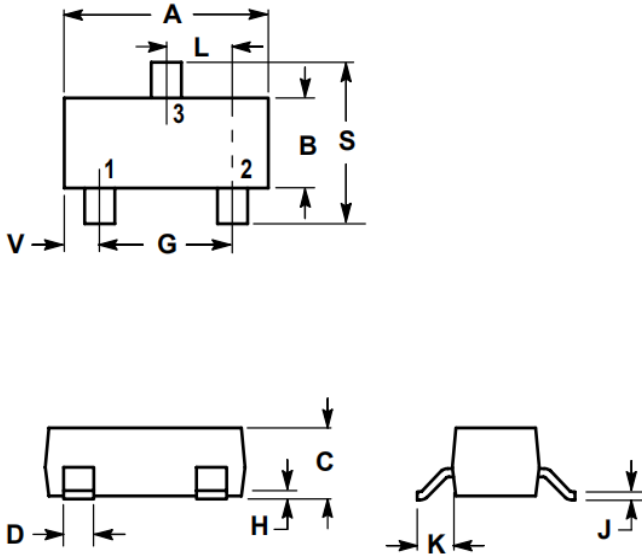
**ELECTRICAL CHARACTERISTICS** ( $T_A=25^\circ\text{C}$  unless otherwise noted)

Characteristic	Test Condition	Symbol	Min.	Typ.	Max.	Unit
Collector-Emitter Breakdown Voltage	$I_C=1\text{mA}, I_B=0$	$V_{(BR)CEO}$	300	-	-	V
Collector-Base Breakdown Voltage	$I_C=100\mu\text{A}, I_E=0$	$V_{(BR)CBO}$	300	-	-	V
Emitter-Base Breakdown Voltage	$I_E=100\mu\text{A}, I_C=0$	$V_{(BR)EBO}$	6	-	-	V
Collector Cutoff Current	$V_{CB}=200\text{V}, I_E=0$	$I_{CBO}$	-	-	100	nA
Emitter Cutoff Current	$V_{EB}=6\text{V}, I_C=0$	$I_{EBO}$	-	-	100	$\mu\text{A}$
DC Current Gain	$V_{CE}=10\text{V}, I_C=1\text{mA}$	$H_{FE(1)}$	25	-	-	
	$V_{CE}=10\text{V}, I_C=10\text{mA}$	$H_{FE(2)}$	40	-	300	
Collector-Emitter Saturation Voltage	$I_C=20\text{mA}, I_B=2\text{mA}$	$V_{CE(Sat)}$	-	-	0.5	V
Base-Emitter Saturation Voltage	$I_C=20\text{mA}, I_B=2\text{mA}$	$V_{BE(Sat)}$	-	-	0.9	V
Transition Frequency	$V_{CE}=20\text{V}, I_C=-10\text{mA}, f=100\text{MHz}$	$F_T$	50	-	-	MHz

**MMBTA42**  
PNP TRANSISTOR



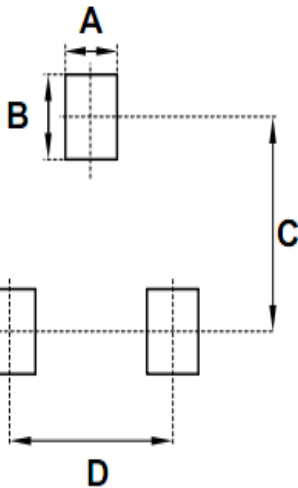
**OUTLINE DRAWINGS**



**SOT-23**

OUTLINE DIMENSIONS						
Dim.	Millimeters			Inches		
	Min.	Typ.	Max.	Min.	Typ.	Max.
A	2.800	-	3.040	0.1102	-	0.1197
B	1.200	-	1.400	0.0472	-	0.0551
C	0.890	-	1.110	0.0350	-	0.0437
D	0.370	-	0.500	0.0146	-	0.0197
G	1.780	-	2.040	0.0701	-	0.0803
H	0.013	-	0.100	0.0005	-	0.0039
J	0.085	-	0.177	0.0033	-	0.0070
K	0.350	-	0.690	0.0138	-	0.0272
L	0.890	-	1.020	0.0350	-	0.0402
S	2.100	-	2.640	0.0827	-	0.1039
V	0.450	-	0.600	0.0177	-	0.0236

**MOUNTING PAD LAYOUT**



**SOT-23**

RECOMMENDED MOUNTING PAD DIMENSIONS						
Dim.	Millimeters			Inches		
	Min.	Typ.	Max.	Min.	Typ.	Max.
A	-	0.600	-	-	0.0236	-
B	-	0.800	-	-	0.0315	-
C	-	2.020	-	-	0.0795	-
D	-	1.900	-	-	0.0748	-

**PACKING INFORMATION**

**SOT-23**

Package Method	Reel Size (mm)	Quantity (pcs/reel)	Inner Box Size LxWxH(mm)	Quantity (pcs/Inner Box)	Carton Size LxWxH(mm)	Quantity (pcs/carton)
Tape Reel	Φ180	3000	340x340x40	6000	364x364x360	160000

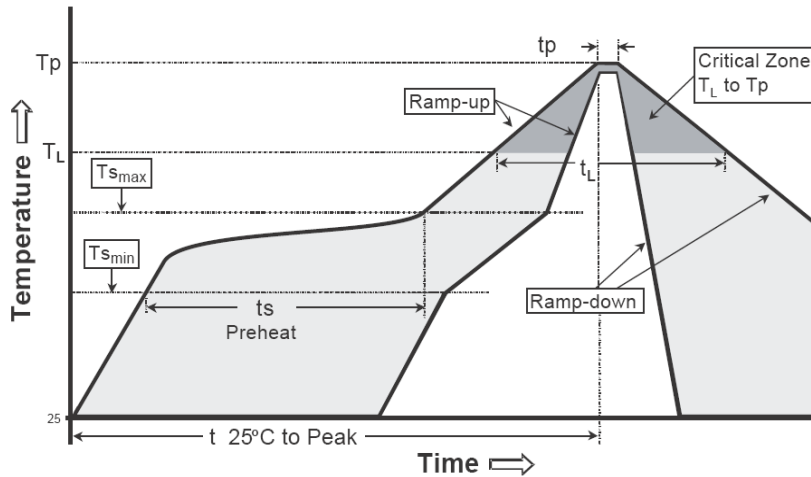
**MMBTA42**  
PNP TRANSISTOR



**Recommended wave soldering condition**

Product	Peak Temperature	Soldering Time
Pb-free devices	260 +0/-5 °C	5 +1/-1 seconds

**Recommended temperature profile for IR reflow**



Profile feature	Sn-Pb eutectic Assembly	Pb-free Assembly
Average ramp-up rate (T <sub>smax</sub> to T <sub>p</sub> )	3°C/second max.	3°C/second max.
Preheat -Temperature Min(T <sub>S</sub> min) -Temperature Max(T <sub>S</sub> max) -Time(t <sub>s</sub> min to t <sub>s</sub> max)	100°C 150°C 60-120 seconds	150°C 200°C 60-180 seconds
Time maintained above: -Temperature (T <sub>L</sub> ) - Time (t <sub>L</sub> )	183°C 60-150 seconds	217°C 60-150 seconds
Peak Temperature(T <sub>P</sub> )	240 +0/-5 °C	260 +0/-5 °C
Time within 5°C of actual peak temperature(tp)	10-30 seconds	20-40 seconds
Ramp down rate	6°C/second max.	6°C/second max.
Time 25 °C to peak temperature	6 minutes max.	8 minutes max.

Note : All temperatures refer to topside of the package, measured on the package body surface.

**MMBTA42**  
PNP TRANSISTOR



**Disclaimer**

- Reproducing and modifying information of the document is prohibited without permission from niuhang electronics co., LTD.
- Nihang Electronics co., LTD. reserves the rights to make changes of the content herein the document anytime without notification.
- Nihang Electronics co., LTD. disclaims any and all liability arising out of the application or use of any product including damages incidentally and consequentially occurred.
- Nihang Electronics co., LTD. does not assume any and all implied warranties, including warranties of fitness for particular purpose, non-infringement and merchantability.
- Applications shown on the herein document are examples of standard use and operation. Customers are responsible in comprehending the suitable use in particular applications. Nihang Electronics co., LTD. makes no representation or warranty that such applications will be suitable for the specified use without further testing or modification.
- The products shown herein are not designed and authorized for equipments requiring high level of reliability or relating to human life and for any applications concerning life-saving or life-sustaining, such as medical instruments, transportation equipment, aerospace machinery et cetera. Customers using or selling these products for use in such applications do so at their own risk and agree to fully indemnify Nihang Electronics co., LTD. for any damages resulting from such improper use or sale.
- When the appearance of the product and chip size does not change, in order to product the customer. quality, change the internal structure and the production process niuhang can not notify

## X-ON Electronics

Largest Supplier of Electrical and Electronic Components

*Click to view similar products for [Bipolar Transistors - BJT category](#):*

*Click to view products by [NH manufacturer](#):*

Other Similar products are found below :

[BC559C](#) [MCH4017-TL-H](#) [MMBT-2369-TR](#) [BC546/116](#) [NJVMJD148T4G](#) [NTE16](#) [NTE195A](#) [IMX9T110](#) [2N4401-A](#) [2N6728](#) [2SA1419T-TD-H](#) [2SB1204S-TL-E](#) [2SC5488A-TL-H](#) [FMC5AT148](#) [2N2369ADCSM](#) [2N2907A](#) [2N3904-NS](#) [2N5769](#) [2SC4618TLN](#) [CPH6501-TL-E](#) [US6T6TR](#) [BAX18/A52R](#) [BC556/112](#) [IMZ2AT108](#) [MMST8098T146](#) [MCH6102-TL-E](#) [BC846B-13-F](#) [2N3879](#) [30A02MH-TL-E](#) [NTE13](#) [NTE282](#) [NTE323](#) [NTE350](#) [NTE81](#) [JANTX2N2920L](#) [JANSR2N2907AUB](#) [CMLT3946EG TR](#) [SNSS40600CF8T1G](#) [CMLT3906EG TR](#) [GRP-DATA-JANS2N2907AUB](#) [GRP-DATA-JANS2N2222AUA](#) [MMDT3946FL3-7](#) [2N4240](#) [JANS2N3019](#) [MSB30KH-13](#) [2N2221AUB](#) [2SD1815T-TL-E](#) [2N6678](#) [2N2907Ae4](#) [JAN2N3507](#)