



www.niccomp.com/pcn | Technical Support: tpmg@niccomp.com

June 30th 2015

SUB: EOL – End of Life Notification

Products impacted by this notice:

NACP series, low profile, 4.6mm maximum height, surface mount aluminum electrolytic capacitors

Product specification: www.niccomp.com/catalog/nacp.pdf

NIC Part Numbers affected: See below **EOL Part Numbers** in Table 1 below

Effective: June 30th 2015

Last order supporting business from established customers: December 30th 2015

Last delivery: June 30th 2016

Reason For Change: Reduction in market demand

Table 1

<i>EOL Part Numbers</i>	<i>Voltage Rating</i>	<i>Capacitance Value</i>	<i>Alternate – Suggested Replacement Part Numbers</i>
NACP330M4V4X4.5TR13F	4 VDC	33 uF	---
NACP470M4V4X4.5TR13F	4 VDC	47 uF	---
NACP101M4V5X4.5TR13F	4 VDC	100 uF	---
NACP221M4V6.3X4.5TR13F	4 VDC	220 uF	---
NACP220M6.3V4X4.5TR13F	6.3 VDC	22 uF	NAWS220M6.3V5X4JBF*
NACP330M6.3V5X4.5TR13F	6.3 VDC	33 uF	NAWS330M6.3V5X4JBF
NACP470M6.3V5X4.5TR13F	6.3 VDC	47 uF	NAWS470M6.3V5X4JBF NAWS470M6.3V6.3X4JBF*
NACP101M6.3V6.3X4.5TR13F	6.3 VDC	100 uF	NAWS101M6.3V6.3X4JBF
NACP220M10V5X4.5TR13F	10 VDC	22 uF	NAWS220M10V5X4JBF
NACP330M10V5X4.5TR13F	10 VDC	33 uF	NAWS330M10V5X4JBF NAWS330M10V6.3X4JBF*
NACP470M10V6.3X4.5TR13F	10 VDC	47 uF	NAWS470M10V6.3X4JBF
NACP101M10V6.3X4.5TR13F	10 VDC	100 uF	---
NACP100M16V4X4.5TR13F	16 VDC	10 uF	NAWS100M16V5X4JBF*
NACP220M16V5X4.5TR13F	16 VDC	22 uF	NAWS220M16V5X4JBF NAWS220M16V6.3X4JBF*
NACP330M16V6.3X4.5TR13F	16 VDC	33 uF	NAWS330M16V6.3X4JBF
NACP470M16V6.3X4.5TR13F	16 VDC	47 uF	NAWS470M16V6.3X4JBF
NACP4R7M25V4X4.5TR13F	25 VDC	4.7 uF	NAWS4R7M25V5X4JBF*
NACP100M25V5X4.5TR13F	25 VDC	10 uF	NAWS100M25V5X4JBF
NACP220M25V6.3X4.5TR13F	25 VDC	22 uF	NAWS220M25V6.3X4JBF
NACP330M25V6.3X4.5TR13F	25 VDC	33 uF	NAWS330M25V6.3X4JBF
NACP4R7M35V4X4.5TR13F	35 VDC	4.7 uF	NAWS4R7M35V5X4JBF*
NACP100M35V5X4.5TR13F	35 VDC	10 uF	NAWS100M35V5X4JBF
NACP220M35V6.3X4.5TR13F	35 VDC	22 uF	NAWS220M35V6.3X4JBF
NACP1R0M50V4X4.5TR13F	50 VDC	1.0 uF	NAWS1R0M50V5X4JBF*
NACP2R2M50V4X4.5TR13F	50 VDC	2.2 uF	NAWS2R2M50V5X4JBF*
NACP3R3M50V4X4.5TR13F	50 VDC	3.3 uF	NAWS3R3M50V5X4JBF*
NACP4R7M50V5X4.5TR13F	50 VDC	4.7 uF	NAWS4R7M50V5X4JBF
NACP100M50V6.3X4.5TR13F	50 VDC	10 uF	NAWS100M50V6.3X4JBF

* - Larger Diameter with Lower Height



www.nicomp.com/pcn | Technical Support: tpmg@nicomp.com

Prepared by: Technical Product Marketing Group / tpmg@nicomp.com

→ Follow NIC PCN alerts to get email notifications at www.nicomp.com/pcn

Please use **NIC QuickBUILDER** tool to select – review and compare potential replacement part numbers www.nicomp.com/quickbuilder/gb_capacitor.php

Surface Mount Aluminum Electrolytic Capacitors NACP Series

FEATURES

- CYLINDRICAL V-CHIP CONTRUCTION
- LOW PROFILE, 4.6mm MAXIMUM HEIGHT
- DESIGNED FOR REFLOW SOLDERING

RoHS Compliant
includes all homogeneous materials



*See Part Number System for Details

CHARACTERISTICS

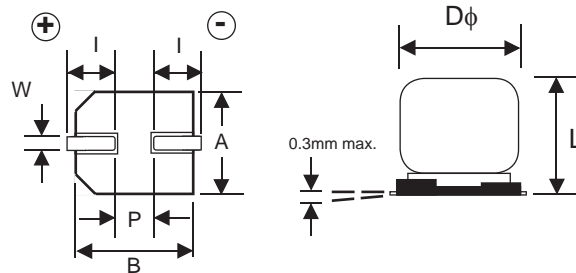
Rated Voltage Rating	4 ~ 50Vdc							
Rated Capacitance Range	1.0 ~ 220 μ F							
Operating Temperature Range	-40° ~ +85°C							
Capacitance Tolerance	\pm 20%(M)							
Max. Leakage Current After 2 Minutes at 20°C	0.01CV or 3 μ A, whichever is greater							
Surge Voltage & Max. Tan δ	W.V. (Vdc)	4	6.3	10	16	25	35	50
	S.V. (Vdc)	5	8.0	13	20	32	44	63
	Tan δ @ 120Hz/20°C	0.40	0.30	0.24	0.20	0.16	0.14	0.12
Low Temperature Stability (Impedance Ratio @ 120Hz)	W.V. (Vdc)	4	6.3	10	16	25	35	50
	Z-25°C/Z +20°C	7	4	3	2	2	2	2
	Z-40°C/Z +20°C	15	10	8	6	4	4	4
Load Life Test at Rated W.V. 85°C 1,000 Hours	Capacitance Change	Within \pm 25% of initial measured value						
	Tan δ	Less than 200% of specified value						
	Leakage Current	Less than specified value						

STANDARD PRODUCT AND CASE SIZE D ϕ xL (mm)

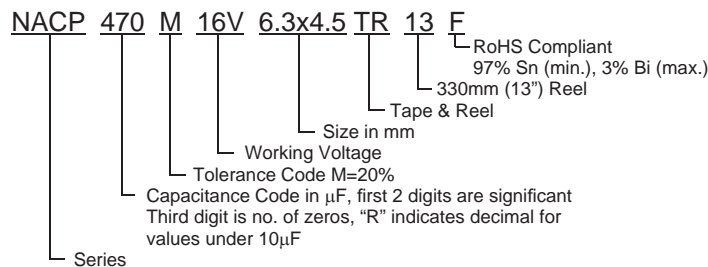
Cap. (μ F)	Working Voltage (Vdc)						
	4	6.3	10	16	25	35	50
1.0	-	-	-	-	-	-	4x4.5
2.2	-	-	-	-	-	-	4x4.5
3.3	-	-	-	-	-	-	4x4.5
4.7	-	-	-	-	4x4.5	4x4.5	5x4.5
10	-	-	-	4x4.5	5x4.5	5x4.5	6.3x4.5
22	-	4x4.5	5x4.5	5x4.5	6.3x4.5	6.3x4.5	-
33	4x4.5	5x4.5	5x4.5	6.3x4.5	6.3x4.5	-	-
47	4x4.5	5x4.5	6.3x4.5	6.3x4.5	-	-	-
100	5x4.5	6.3x4.5	6.3x4.5	-	-	-	-
220	6.3x4.5	-	-	-	-	-	-

DIMENSIONS (mm)

Case Size	D ϕ \pm 0.5	L \pm 0.1	A/B \pm 0.2	l \pm 0.2	W	P \pm 0.2
4x4.5	4.0	4.5	4.3	1.8	0.5 ~ 0.8	1.0
5x4.5	5.0	4.5	5.3	2.1	0.5 ~ 0.8	1.4
6.3x4.5	6.3	4.5	6.6	2.5	0.5 ~ 0.8	2.2



PART NUMBER SYSTEM



PRECAUTIONS

Please review the notes on correct use, safety and precautions found on pages T10 & T11 of NIC's Electrolytic Capacitor catalog.
Also found at www.niccomp.com/precautions
If in doubt or uncertainty, please review your specific application - process details with NIC's technical support personnel: tpmg@niccomp.com



Surface Mount Aluminum Electrolytic Capacitors NACP Series

STANDARD VALUES, CASE SIZES AND SPECIFICATIONS

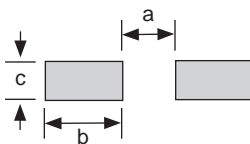
NIC Part Number	Cap. (μF)	W.V. (Vdc)	Dissipation Factor (Tan δ)	Max. Ripple Current (mA) +85°C/120Hz	Max. ESR (Ω) +20°C/120Hz	Load Life Hours @ +85°C
NACP330M4V4X4.5TR13F	33	4	0.40	28	20.1	1,000
NACP470M4V4X4.5TR13F	47		0.40	33	14.1	1,000
NACP101M4V5X4.5TR13F	100		0.40	56	6.6	1,000
NACP221M4V6.3X4.5TR13F	220		0.40	98	3.0	1,000
NACP220M6.3V4X4.5TR13F	22	6.3	0.30	28	22.6	1,000
NACP330M6.3V5X4.5TR13F	33		0.30	37	15.1	1,000
NACP470M6.3V5X4.5TR13F	47		0.30	45	10.6	1,000
NACP101M6.3V6.3X4.5TR13F	100		0.30	70	5.0	1,000
NACP220M10V5X4.5TR13F	22	10	0.24	33	18.1	1,000
NACP330M10V5X4.5TR13F	33		0.24	41	12.6	1,000
NACP470M10V6.3X4.5TR13F	47		0.24	53	8.5	1,000
NACP101M10V6.3X4.5TR13F	100		0.24	74	3.98	1,000
NACP100M16V4X4.5TR13F	10	16	0.20	23	33.2	1,000
NACP220M16V5X4.5TR13F	22		0.20	37	15.1	1,000
NACP330M16V6.3X4.5TR13F	33		0.20	51	10.1	1,000
NACP470M16V6.3X4.5TR13F	47		0.20	61	7.1	1,000
NACP4R7M25V4X4.5TR13F	4.7	25	0.16	17	56.5	1,000
NACP100M25V5X4.5TR13F	10		0.16	27	26.5	1,000
NACP220M25V6.3X4.5TR13F	22		0.16	47	12.1	1,000
NACP330M25V6.3X4.5TR13F	33		0.16	57	8.1	1,000
NACP4R7M35V4X4.5TR13F	4.7	35	0.14	18	49.4	1,000
NACP100M35V5X4.5TR13F	10		0.14	29	23.2	1,000
NACP220M35V6.3X4.5TR13F	22		0.14	49	10.8	1,000
NACP1R0M50V4X4.5TR13F	1.0		50	0.12	8.4	199
NACP2R2M50V4X4.5TR13F	2.2	0.12		14	90.5	1,000
NACP3R3M50V4X4.5TR13F	3.3	0.12		17	60.3	1,000
NACP4R7M50V5X4.5TR13F	4.7	0.12		21	42.3	1,000
NACP100M50V6.3X4.5TR13F	10	0.12		33	19.0	1,000

RIPPLE CURRENT FREQUENCY CORRECTION FACTOR

Cap. (μF)	Frequency			
	10< f <1KHz	1K< f <10KHz	10K< f >100KHz	>100KHz
0.47 ~ 4.7	1.0	1.3	1.5	2.0
10 ~ 33	1.0	1.2	1.3	1.45
47 ~ 220	1.0	1.1	1.2	1.3

RECOMMENDED LAND PATTERN DIMENSIONS (mm)

Case Size	a	b	c
4 φ	1.0	2.6	1.8
5 φ	1.4	3.0	1.8
6.3 φ	2.1	3.5	1.8



Surface Mount Aluminum Electrolytic Capacitors NACP Series

CARRIER TAPE

Case Size	A ±0.5	B ±0.2	C ±0.3	D ±0.1	P ±0.1	T ±0.2
4 x 4.5	4.7	4.7	12.0	5.5	8.0	5.1
5 x 4.5	5.7	5.7	12.0	5.5	12.0	5.1
6.3 x 4.5	7.0	7.0	16.0	7.5	12.0	5.1

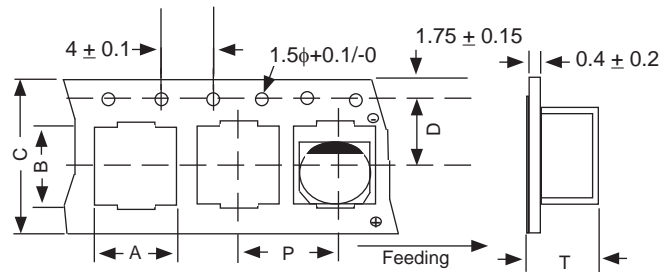
TR13 330mm (13") REEL TR15 380mm (15") REEL

Case Size	W ±1.0	Quantity Per Reel	
		13" Reel (Std)	15" Reel (Opt.)
4 x 4.5	14.0	1,500 pcs	2,000 pcs
5 x 4.5	14.0	1,000 pcs	1,000 pcs
6.3 x 4.5	18.0	1,000 pcs	1,000 pcs

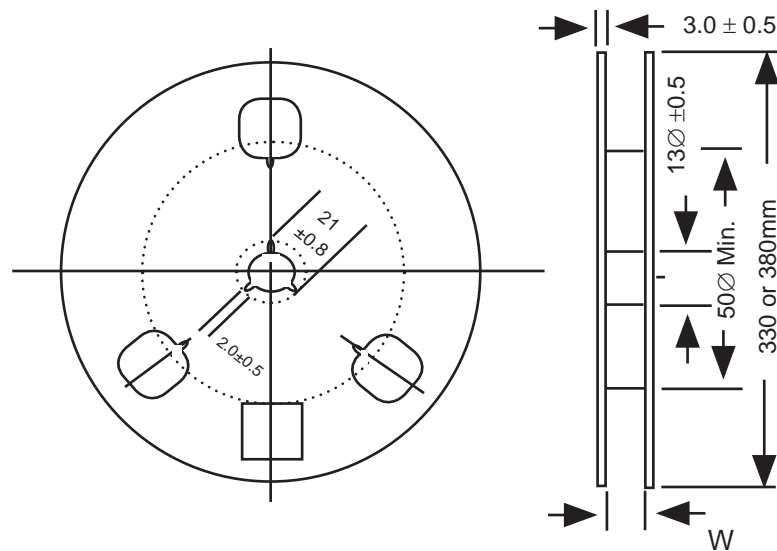
TAPING SPECIFICATIONS (mm)

- Both Leader and Trailer tape: Minimum 40mm (1.57") empty carrier tape pockets.
- Leader tape: Approximately 20cm of cover tape at leader.
- Connection: Maximum 3 connections (slices) per reel.

CARRIER



REEL



X-ON Electronics

Largest Supplier of Electrical and Electronic Components

Click to view similar products for [nic manufacturer](#):

Other Similar products are found below :

[NMC0603NPO0R6B50TRPF](#) [NMC0603NPO270J100TRPF](#) [NMC1206X5R226K6.3TRPLP2KF](#) [NRE-S100M25V4X7F](#) [NRE-
HS102M25V12.5X16F](#) [NRCA12F1001TRQYF](#) [NRC-S06F2212TRF](#) [NCD180J1KVNPOJTRF](#) [NRC-S06F1692TRF](#)
[NCD102M1KVZ5U.250STRF](#) [NTC-T105K20TRAF](#) [NMC-P1206X7R104K100TRPF](#) [NMC-H1206NPO471K1KVTRPLPF](#) [NML04J9N1TRF](#)
[NRSNA4I4J150TR40KF](#) [NCC0805F261HTRF](#) [NRWA470M35V6.3X11TBF](#) [NACE221M16V6.3X8TR13F](#) [NRSS332M50V18X35.5F](#)
[NDTM106K25F1TRF](#) [NACZ221M50V10X10.5TR13F](#) [NCM15X7R103K50F](#) [NCD103M1KVZ5UF](#) [NRSS682M25V18X35.5F](#)
[NEXC224Z5.5V10.5X8.5TRF](#) [NRLRW221M450V30X35SF](#) [NDTM225K50F2TRF](#) [NRSZ471M50V12.5X20F](#) [NTCL106K35TRDF](#)
[NRWA331M25V10X12.5F](#) [NRSY472M25V16X31.5F](#) [NEXS105Z5.5V28.5X14F](#) [NRLR181M400V25X30SF](#) [NRSZ102M25V12.5X20F](#)
[NUVA33T385TRF](#) [NUVA33V405TRF](#) [NRLMW331M250V30X25F](#) [NRLF103M25V35X20F](#) [NDTM106K35F](#) [NRLMW102M200V35X35F](#)
[NPIS43LS220MTRF](#) [NDTM476K35F2F](#) [NTC-T475K50TRDF](#) [NCD222M1KVZ5UKF](#) [NRLR472M63V25X40SF](#) [NTP157M10TRD\(40\)F](#)
[NPIM74C3R3MTRF](#) [NPI104C100MTRF](#) [NRLM102M100V25X25F](#) [NRLM223M50V 35X50F](#)