

High Frequency/High Current Ferrite Chip Beads NCB-GH Series

FEATURES

- STANDARD EIA 0402 ~ 0603 CASE SIZES
- EFFECTIVE EM/RFI SUPPRESSION ≥ 1 GHz
- CURRENT RATINGS UP TO 1500 mA
- HIGH IMPEDANCE OVER A WIDE FREQUENCY RANGE
- COMPATIBLE WITH AUTOMATIC PICK AND PLACE EQUIPMENT
- REFLOW SOLDERING APPLICABLE

RoHS
Compliant
includes all homogeneous materials

*See Part Number System for Details

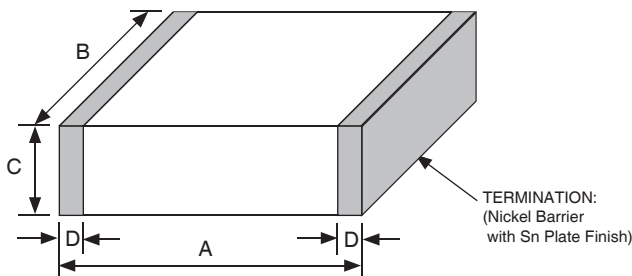
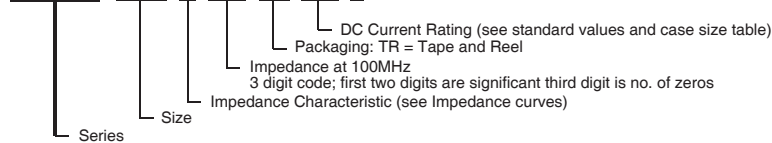
OPERATING TEMPERATURE RANGE: -55°C TO +125°C*

EIA Size	NIC P/N	Impedance at 100MHz Ohms Ω	Impedance at 1GHz Ohms Ω	DC Resistance Max. (Ω)	DC Current Max.* (mA)	A (mm)	B (mm)	C (mm)	D (mm)
0402	NCB-GH0402D121TR060F	120	100	0.25	600	1.0 \pm 0.1	0.5 \pm 0.1	0.5 \pm 0.1	0.25 \pm 0.1
	NCB-GH0402U121TR060F	120	100	0.25	600				
	NCB-GH0402U121TR110F	120	100	0.13	1100				
	NCB-GH0402D221TR050F	220	300	0.38	500				
	NCB-GH0402U221TR050F	220	200	0.38	500				
	NCB-GH0402U221TR070F	220	250	0.25	700				
0603	NCB-GH0603U101TR080F	100	100	0.2	800	1.6 \pm 0.2	0.8 \pm 0.15	0.8 \pm 0.15	0.3 \pm 0.2
	NCB-GH0603U101TR200F	100	100	0.055	2000				
	NCB-GH0603G121TR090F	120	700	0.13	900				
	NCB-GH0603U121TR200F	120	110	0.055	2000				
	NCB-GH0603D151TR080F	150	200	0.2	800				
	NCB-GH0603D151TR150F	150	200	0.07	1500				
	NCB-GH0603D221TR060F	220	300	0.25	600				
	NCB-GH0603D221TR120F	220	300	0.12	1200				
	NCB-GH0603U221TR060F	220	220	0.25	600				
	NCB-GH0603D331TR050F	330	500	0.3	500				
	NCB-GH0603D331TR090F	330	500	0.15	900				
	NCB-GH0603U331TR050F	330	300	0.15	500				
	NCB-GH0603D391TR070F	390	600	0.18	700				
	NCB-GH0603D471TR050F	470	700	0.32	500				
	NCB-GH0603D471TR070F	470	700	0.22	700				
	NCB-GH0603U471TR050F	470	400	0.32	500				
	NCB-GH0603D601TR050F	600	1000	0.35	500				
	NCB-GH0603D601TR070F	600	1000	0.24	700				
	NCB-GH0603U601TR050F	600	450	0.35	500				
	NCB-GH0603D102TR015F	1000	1300	0.9	150				
	NCB-GH0603D102TR060F	1000	1000	0.35	600				
	NCB-GH0603U102TR015F	1000	750	0.9	150				
	NCB-GH0603E152TR050F	1500	1000	0.5	500				

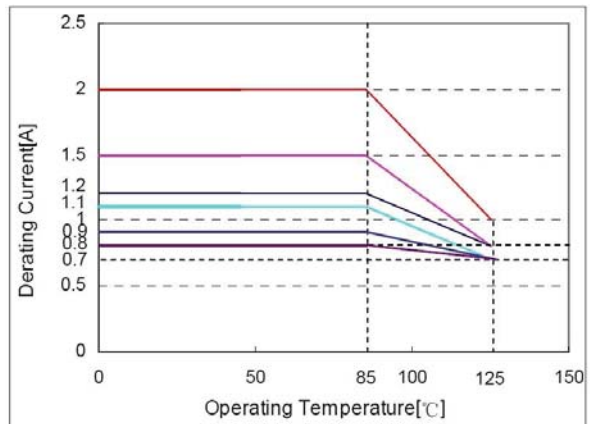
Note: Other values and case sizes available.

PART NUMBER SYSTEM

NCB-GH 0603 U 331 TR 050 F



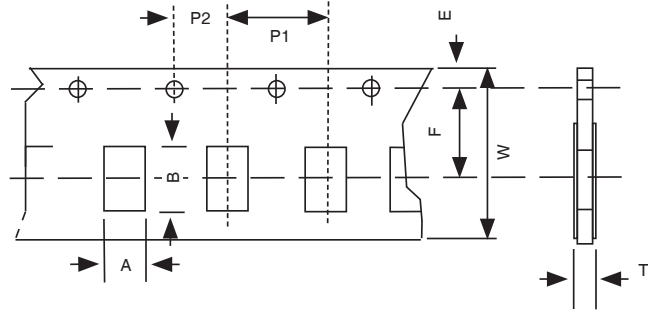
*NCB-GH Derating Above +85°C
(Derating applies to part numbers with current ratings of 800mA and higher)



TAPE DIMENSIONS (mm)

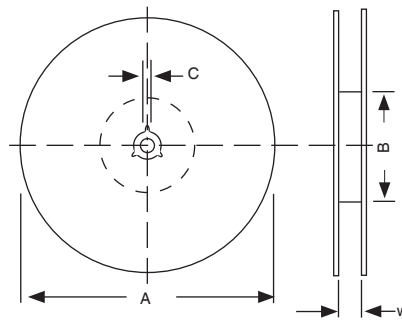
Dimensions	NCB-G0402 NCB-GH0402	NCB-G0603 NCB-GH0603
A	0.65	1.00
B	1.15	1.80
T	0.80	1.10
W	8.0 ± 0.3	
E	1.75 ± 0.1	
F	3.5 ± 0.05	
P1	2.0 ± 0.1	4.0 ± 0.1
P2	2.0 ± 0.05	
Chips/Reel	10,000	4,000

(PRESSED PAPER CARRIER)



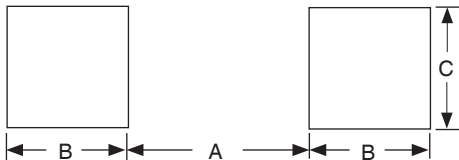
REEL DIMENSIONS

Dim	Size: 0402 & 0603
A	178 ± 2.0
B	58 ± 2.0
C	3.0 ± 0.1
W	9.0 ± 1.5

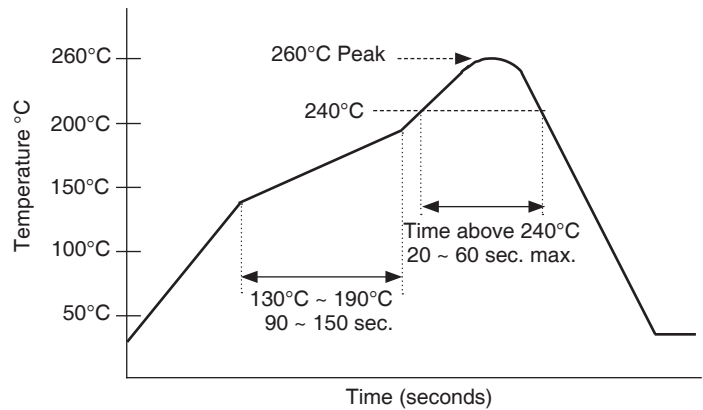


RECOMMENDED LAND PATTERN (mm)

Size	A	B	C
0402	0.45 ~ 0.55	0.40 ~ 0.50	0.45 ~ 0.55
0603	0.60 ~ 0.80	0.60 ~ 0.80	0.60 ~ 0.80



REFLOW SOLDERING PROFILE



X-ON Electronics

Largest Supplier of Electrical and Electronic Components

Click to view similar products for [EMI Filters](#) / [EMI Suppression](#) category:

Click to view products by [NIC manufacturer](#):

Other Similar products are found below :

[CX0805MRX7R7BB473](#) [CZB1EGTTP700P](#) [CZB1JGTTD101P](#) [CZB1JGTTD151P](#) [CZB1JGTTD152P](#) [CZB1JGTTD601P](#)
[CZB2AFTTD800P](#) [CZB2AGTTD121P](#) [CZB2AGTTD601P](#) [CZB2BFTTE600P](#) [PE-0402FB121ST](#) [EMI0805R-11](#) [BMB1J1000LN2](#)
[BMB2A0430RS2](#) [BMB2A0470LN2](#) [ILAS1206ER102V](#) [SMB2.5-1TR](#) [CZB1EGTTP121P](#) [CZB1JGTTD102P](#) [CZB1JGTTD121P](#)
[CZB1JGTTD221P](#) [CZB2AGTTD301P](#) [CZB2BFTTE301P](#) [CZB2BFTTE601P](#) [4221R-1](#) [432703069121](#) [432703069351](#) [ILAS1206ER121V](#)
[4221R-2](#) [4221R-3](#) [4221R-4](#) [432703041941](#) [432703041971](#) [432703069131](#) [EMI0805R-120](#) [EMI0805R-2000](#) [EMI0805R-600](#) [SBY100505T-](#)
[100Y-N](#) [NCB-GH0402D121TR060F](#) [NCB-H1812D125TR150F](#) [CZB2AGTTD102P](#) [BMB2A0150AN1](#) [NCB0402P301TR005F](#)
[NCB0805A121TR050F](#) [NCB-H0805A102TR150F](#) [NCB0402P300TR030F](#) [NCB0402P601TR030F](#) [NCB-H0603R121TR300F](#) [NCB-](#)
[H0805A220TR600F](#) [432703069091](#)