

FEATURES

- EIA SIZES A (1210), B (1812), C (1008) AND D (0805)
- EXCELLENT HIGH Q AND HIGH SRF CHARACTERISTICS
- BOTH FLOW AND REFLOW SOLDERING APPLICABLE
- HIGH INDUCTANCE AVAILABLE IN SMALL SIZE
- EMBOSSED PLASTIC TAPE PACKAGE FOR AUTOMATIC PICK-PLACE

AVAILABLE TYPE AND RANGE

| EIA Size | Size Code | Size (L x W x H mm) | NIC Type | Inductance Range | Style |
|----------|-----------|---------------------|----------|------------------|----------------|
| 0805 | D | 2.0 x 1.25 x 1.25 | NIN-ND | 10nH ~ 1.0μH | Standard |
| 1008 | C | 2.5 x 2.0 x 1.6 | NIN-FC | 0.22 ~ 100μH | Standard |
| | | | NIN-NC | 10nH ~ 0.82μH | High Frequency |
| | | | NIN-PC | 1.0 ~ 33μH | High Current |
| | | | NIN-FA | 0.22 ~ 220μH | Standard |
| 1210 | A | 3.2 x 2.5 x 2.2 | NIN-NA | 47nH ~ 8.2μH | High Frequency |
| | | | NIN-PA | 1.0 ~ 330μH | High Current |
| | | | NIN-FB | 0.1 ~ 1000μH | Standard |
| 1812 | B | 4.5 x 3.2 x 3.2 | NIN-PB | 1.0 ~ 680μH | High Current |

Note: Extended values, tolerances, and enhanced versions are available please contact NIC for more details.

SPECIFICATIONS

| Specifications | Case Size | | | |
|---|---|-----------------------------|--------------|-------------------|
| | 0805 | 1008 | 1210 | 1812 |
| Inductance Range | 10nH ~ 1.0μH | 10nH ~ 100μH | 47nH ~ 330μH | 0.10μH ~ 1000μH |
| Inductance Tolerance | ±10% (K), ±5% (J) | ±20% (M), ±10% (K), ±5% (J) | | ±10% (K), ±5% (J) |
| Operating Temperature Range | -25°C ~ +85°C (at 100% of rated voltage) | | | |
| Insulation Resistance | 1,000 MegOhm Min. (@ 100Vdc, Termination to Case) | | | |
| Withstanding Voltage | 250Vdc for 1 minute (Termination to Case) | | | |
| Q Factor, Self Resonant Frequency, DC Resistance, Rated DC Current and Inductance Tolerance | See Individual Product Listings | | | |

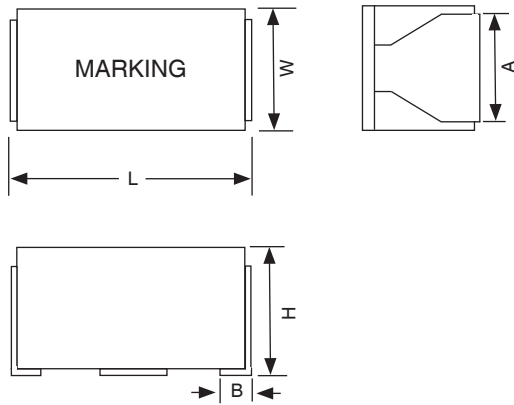
ENVIRONMENTAL CHARACTERISTICS

| Test | Specification | Test Method & Condition |
|----------------------------|---|---|
| Solderability | 90% Min. Coverage | After 3 Sec. Dip in +230°C Solder Pot (Post Flux) |
| Humidity | (1) No Evidence of Damage (2) Inductance Shall Be Within ±5% of Initial Value (3) Q Factor Shall Be Within ±10% of Initial Value | After 500 Hrs at +60°C and 90~95% RH |
| Soldering Effect | | After 5 Sec. at +260°C (5 min. 120°C Pre-Heat) |
| Low Frequency Vibration | | After 2 Hrs per Axis, 10 ~ 55Hz, 1.5mm Amplitude |
| Thermal Shock | | After 100 Cycles (-40°C ~ +85°C) 30 Min. Each |
| Low Temperature Storage | | After 500 Hrs at -40°C |
| High Temperature Load Life | (1) No Evidence of Damage (2) Inductance Shall Be Within ±10% of Initial Value (3) Q Factor Shall Be Within ±10% of Initial Value | After 500 Hrs. at +85°C with Rated DC Current |
| Humidity Load Life | | After 500 Hrs at +60°C with 90~95% RH at Rated DC Current |

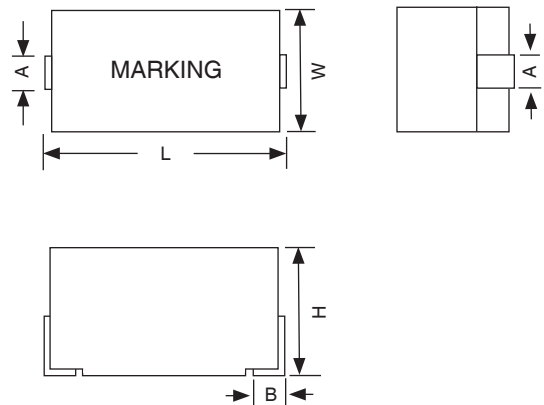


DIMENSIONS (mm)

SIZE A, C and D



SIZE B



| EIA Size | Size Code | Dim. L | Dim. W | Dim. H | Dim. A | Dim. B |
|----------|-----------|--------------------------|------------|------------|-----------|-----------|
| 0805 | D | 2.0 ^{+0.3/-0.2} | 1.25 ± 0.3 | 1.25 ± 0.3 | 1.0 ± 0.1 | 0.4 ± 0.2 |
| 1008 | C | 2.5 ^{+0.3/-0.2} | 2.0 ± 0.2 | 1.6 ± 0.2 | 1.2 ± 0.1 | 0.4 ± 0.2 |
| 1210 | A | 3.2 ± 0.3 | 2.5 ± 0.2 | 2.2 ± 0.2 | 1.9 ± 0.1 | 0.6 ± 0.2 |
| 1812 | B | 4.5 ± 0.3 | 3.2 ± 0.2 | 3.2 ± 0.2 | 1.2 ± 0.2 | 1.0 ± 0.2 |

PART MARKING

| Inductance Tolerance | Marking for Tolerance | Example |
|----------------------|-----------------------|---------|
| ±20% | M | 2R2M |
| ±10% | No Identification | 470 |
| ±5% | J | 270J |

(1) 3 digits system in μH

(2) R indicates decimal point in μH Ex: 2R7 = 2.7 μH
Ex: R18 = .18 μH = 180nH

(3) N indicates nanohenries (0.001 μH), Ex: 10N = 0.01 μH = 10nH

Applicable Guidelines:

1. Recommended soldering conditions :

Flow (wave): 250°C for 5 sec. max. (preheating of 120°C for 5 minutes.)

Reflow: 250°C for 10 sec. max., total time above 230°C is 40 sec. max. (preheating 150°C ~ 180°C/120 sec. max.)

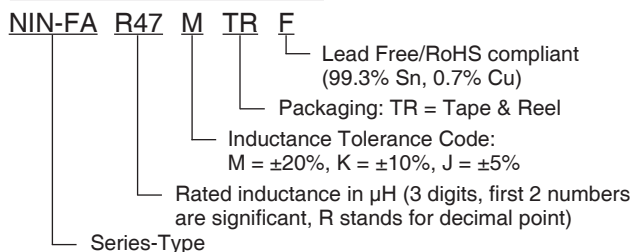
2. Avoid placing inductor over any metal pattern on the PCB, which may create mutual inductance problems.

3. For mounting, it is suggested to secure chip inductor by means of epoxy adhesive curable by ultraviolet.

4. Ultrasonic cleaning is not recommended. If it is necessary, the cleaning conditions must be examined so as not to create mechanical damage by unexpected resonant vibration. Please contact our engineering department.

5. An excessive mechanical force may effect the electrical and magnetic properties of chip inductors. Make sure not to use any stress greater than 2Kg when component is placed.

PART NUMBER SYSTEM



NIN-ND SERIES D SIZE (0805) STANDARD TYPE

| NIC P/N | 'L' Inductance (nH) | Tolerance | | 'Q' Factor (min.) | L & Q Test Frequency | SRF MHz (min.) | DC Resistance (ohms) Max. | Rated DC Current (mA) Max. |
|---------------|---------------------|-----------|---------|-------------------|----------------------|----------------|---------------------------|----------------------------|
| | | (std) | (opt) | | | | | |
| NIN-ND10NKTRF | 10 | ±10% (K) | - | 10 | 100 MHz | 3300 | 0.18 | 540 |
| NIN-ND12NKTRF | 12 | ±10% (K) | - | 10 | 100 MHz | 3300 | 0.24 | 535 |
| NIN-ND15NKTRF | 15 | ±10% (K) | - | 12 | 100 MHz | 3000 | 0.24 | 520 |
| NIN-ND18NKTRF | 18 | ±10% (K) | - | 12 | 100 MHz | 3000 | 0.29 | 480 |
| NIN-ND22NKTRF | 22 | ±10% (K) | - | 12 | 100 MHz | 2600 | 0.29 | 465 |
| NIN-ND27NKTRF | 27 | ±10% (K) | - | 15 | 100 MHz | 2500 | 0.34 | 455 |
| NIN-ND33NxTRF | 33 | ±10% (K) | ±5% (J) | 15 | 100 MHz | 2050 | 0.39 | 395 |
| NIN-ND39NxTRF | 39 | ±10% (K) | ±5% (J) | 15 | 100 MHz | 2000 | 0.41 | 390 |
| NIN-ND47NxTRF | 47 | ±10% (K) | ±5% (J) | 15 | 100 MHz | 1650 | 0.46 | 385 |
| NIN-ND56NxTRF | 56 | ±10% (K) | ±5% (J) | 15 | 100 MHz | 1550 | 0.51 | 360 |
| NIN-ND68NxTRF | 68 | ±10% (K) | ±5% (J) | 15 | 100 MHz | 1450 | 0.57 | 340 |
| NIN-ND82NxTRF | 82 | ±10% (K) | ±5% (J) | 15 | 100 MHz | 1100 | 0.63 | 330 |
| NIN-NDR10xTRF | 100 | ±10% (K) | ±5% (J) | 8 | 25.2 MHz | 800 | 0.86 | 285 |
| NIN-NDR12xTRF | 120 | ±10% (K) | ±5% (J) | 8 | 25.2 MHz | 600 | 0.99 | 275 |
| NIN-NDR15xTRF | 150 | ±10% (K) | ±5% (J) | 10 | 25.2 MHz | 600 | 1.47 | 230 |
| NIN-NDR18xTRF | 180 | ±10% (K) | ±5% (J) | 10 | 25.2 MHz | 600 | 1.61 | 195 |
| NIN-NDR22xTRF | 220 | ±10% (K) | ±5% (J) | 10 | 25.2 MHz | 500 | 1.84 | 170 |
| NIN-NDR27xTRF | 270 | ±10% (K) | ±5% (J) | 10 | 25.2 MHz | 300 | 1.95 | 165 |
| NIN-NDR33xTRF | 330 | ±10% (K) | ±5% (J) | 10 | 25.2 MHz | 200 | 2.16 | 160 |
| NIN-NDR39xTRF | 390 | ±10% (K) | ±5% (J) | 10 | 25.2 MHz | 150 | 2.37 | 150 |
| NIN-NDR47xTRF | 470 | ±10% (K) | ±5% (J) | 10 | 25.2 MHz | 150 | 2.56 | 145 |
| NIN-NDR56xTRF | 560 | ±10% (K) | ±5% (J) | 10 | 25.2 MHz | 100 | 2.69 | 140 |
| NIN-NDR68xTRF | 680 | ±10% (K) | ±5% (J) | 10 | 25.2 MHz | 100 | 3.02 | 130 |
| NIN-NDR82xTRF | 820 | ±10% (K) | ±5% (J) | 10 | 25.2 MHz | 80 | 3.38 | 125 |
| NIN-ND1R0xTRF | 1,000 | ±10% (K) | ±5% (J) | 8 | 7.96 MHz | 80 | 3.88 | 120 |

Note: Extended values, tolerances, and enhanced versions are available please contact NIC for more details.



For Quality Factor (Q) and Inductance (L)
over Frequency curves
see www.RFpassives.com

NIN-FC SERIES C SIZE (1008) STANDARD TYPE

| NIC P/N | 'L' Inductance (μH) | Tolerance | | 'Q' Factor (min.) | L & Q Test Frequency | SRF MHz (min.) | DC Resistance (ohms) Max. | Rated DC Current (mA) Max. |
|---------------|---------------------|-----------|----------|-------------------|----------------------|----------------|---------------------------|----------------------------|
| | | (std) | (opt) | | | | | |
| NIN-FCR22xTRF | 0.22 | ±20% (M) | ±10% (K) | 25 | 25.2 MHz | 230 | 0.70 | 190 |
| NIN-FCR27xTRF | 0.27 | ±20% (M) | ±10% (K) | 25 | 25.2 MHz | 210 | 0.75 | 180 |
| NIN-FCR33xTRF | 0.33 | ±20% (M) | ±10% (K) | 25 | 25.2 MHz | 190 | 0.85 | 170 |
| NIN-FCR39xTRF | 0.39 | ±20% (M) | ±10% (K) | 25 | 25.2 MHz | 175 | 0.95 | 160 |
| NIN-FCR47xTRF | 0.47 | ±20% (M) | ±10% (K) | 25 | 25.2 MHz | 160 | 1.00 | 155 |
| NIN-FCR56xTRF | 0.56 | ±20% (M) | ±10% (K) | 25 | 25.2 MHz | 150 | 1.10 | 150 |
| NIN-FCR68xTRF | 0.68 | ±20% (M) | ±10% (K) | 25 | 25.2 MHz | 135 | 1.25 | 140 |
| NIN-FCR82xTRF | 0.82 | ±20% (M) | ±10% (K) | 25 | 25.2 MHz | 125 | 1.40 | 130 |
| NIN-FC1R0xTRF | 1.0 | ±10% (K) | ±5% (J) | 25 | 7.96 MHz | 115 | 0.65 | 195 |
| NIN-FC1R2xTRF | 1.2 | ±10% (K) | ±5% (J) | 25 | 7.96 MHz | 100 | 0.75 | 180 |
| NIN-FC1R5xTRF | 1.5 | ±10% (K) | ±5% (J) | 25 | 7.96 MHz | 90 | 0.85 | 170 |
| NIN-FC1R8xTRF | 1.8 | ±10% (K) | ±5% (J) | 25 | 7.96 MHz | 85 | 0.95 | 160 |
| NIN-FC2R2xTRF | 2.2 | ±10% (K) | ±5% (J) | 25 | 7.96 MHz | 80 | 1.05 | 155 |
| NIN-FC2R7xTRF | 2.7 | ±10% (K) | ±5% (J) | 25 | 7.96 MHz | 75 | 1.20 | 145 |
| NIN-FC3R3xTRF | 3.3 | ±10% (K) | ±5% (J) | 25 | 7.96 MHz | 65 | 1.30 | 135 |
| NIN-FC3R9xTRF | 3.9 | ±10% (K) | ±5% (J) | 25 | 7.96 MHz | 60 | 1.40 | 130 |
| NIN-FC4R7xTRF | 4.7 | ±10% (K) | ±5% (J) | 25 | 7.96 MHz | 55 | 1.55 | 125 |
| NIN-FC5R6xTRF | 5.8 | ±10% (K) | ±5% (J) | 25 | 7.96 MHz | 50 | 1.75 | 120 |
| NIN-FC6R8xTRF | 6.8 | ±10% (K) | ±5% (J) | 25 | 7.96 MHz | 45 | 1.95 | 115 |
| NIN-FC8R2xTRF | 8.2 | ±10% (K) | ±5% (J) | 25 | 7.96 MHz | 40 | 2.20 | 105 |
| NIN-FC100xTRF | 10 | ±10% (K) | ±5% (J) | 25 | 2.52 MHz | 32 | 3.50 | 80 |
| NIN-FC120xTRF | 12 | ±10% (K) | ±5% (J) | 25 | 2.52 MHz | 30 | 3.80 | 75 |
| NIN-FC150xTRF | 15 | ±10% (K) | ±5% (J) | 25 | 2.52 MHz | 28 | 4.40 | 70 |
| NIN-FC180xTRF | 18 | ±10% (K) | ±5% (J) | 25 | 2.52 MHz | 25 | 5.00 | 65 |
| NIN-FC220xTRF | 22 | ±10% (K) | ±5% (J) | 25 | 2.52 MHz | 22 | 5.80 | 60 |
| NIN-FC270xTRF | 27 | ±10% (K) | ±5% (J) | 25 | 2.52 MHz | 21 | 6.30 | 115 |
| NIN-FC330xTRF | 33 | ±10% (K) | ±5% (J) | 25 | 2.52 MHz | 20 | 7.10 | 110 |
| NIN-FC390xTRF | 39 | ±10% (K) | ±5% (J) | 25 | 2.52 MHz | 18 | 9.50 | 90 |
| NIN-FC470xTRF | 47 | ±10% (K) | ±5% (J) | 25 | 2.52 MHz | 17 | 11.0 | 80 |
| NIN-FC560xTRF | 56 | ±10% (K) | ±5% (J) | 25 | 2.52 MHz | 16 | 12.1 | 75 |
| NIN-FC680xTRF | 68 | ±10% (K) | ±5% (J) | 25 | 2.52 MHz | 15 | 16.6 | 70 |
| NIN-FC820xTRF | 82 | ±10% (K) | ±5% (J) | 25 | 2.52 MHz | 13 | 19.0 | 65 |
| NIN-FC101xTRF | 100 | ±10% (K) | ±5% (J) | 25 | 0.796 MHz | 12 | 21.0 | 60 |

Note: Extended values, tolerances, and enhanced versions are available please contact NIC for more details.



For Quality Factor (Q) and Inductance (L)
over Frequency curves
see www.RFpassives.com

NIN-NC SERIES

C SIZE (1008)

HIGH FREQUENCY TYPE

| NIC P/N | 'L' Inductance (nH) | Tolerance | | 'Q' Factor (min.) | L & Q Test Frequency | SRF MHz (min.) | DC Resistance (ohms) Max. | Rated DC Current (mA) Max. |
|---------------|---------------------------|-----------|---------|-------------------------|----------------------------|----------------------|---------------------------------|----------------------------------|
| | | (std) | (opt) | | | | | |
| NIN-NC10NKTRF | 10 | ±10% (K) | --- | 10 | 100 MHz | 2500 | 0.32 | 280 |
| NIN-NC12NKTRF | 12 | ±10% (K) | --- | 10 | 100 MHz | 2200 | 0.34 | 270 |
| NIN-NC15NKTRF | 15 | ±10% (K) | --- | 10 | 100 MHz | 1800 | 0.38 | 255 |
| NIN-NC18NKTRF | 18 | ±10% (K) | --- | 10 | 100 MHz | 1550 | 0.40 | 250 |
| NIN-NC22NKTRF | 22 | ±10% (K) | --- | 15 | 100 MHz | 1350 | 0.43 | 240 |
| NIN-NC27NKTRF | 27 | ±10% (K) | --- | 15 | 100 MHz | 1150 | 0.47 | 230 |
| NIN-NC33NxTRF | 33 | ±10% (K) | ±5% (J) | 15 | 100 MHz | 1000 | 0.51 | 220 |
| NIN-NC39NxTRF | 39 | ±10% (K) | ±5% (J) | 15 | 100 MHz | 890 | 0.55 | 215 |
| NIN-NC47NxTRF | 47 | ±10% (K) | ±5% (J) | 15 | 100 MHz | 770 | 0.59 | 205 |
| NIN-NC56NxTRF | 56 | ±10% (K) | ±5% (J) | 15 | 100 MHz | 670 | 0.63 | 200 |
| NIN-NC68NxTRF | 68 | ±10% (K) | ±5% (J) | 15 | 100 MHz | 590 | 0.68 | 190 |
| NIN-NC82NxTRF | 82 | ±10% (K) | ±5% (J) | 15 | 100 MHz | 520 | 0.73 | 185 |
| NIN-NCR10xTRF | 100 | ±10% (K) | ±5% (J) | 10 | 25.2 MHz | 460 | 0.80 | 175 |
| NIN-NCR12xTRF | 120 | ±10% (K) | ±5% (J) | 10 | 25.2 MHz | 400 | 0.87 | 170 |
| NIN-NCR15xTRF | 150 | ±10% (K) | ±5% (J) | 10 | 25.2 MHz | 340 | 0.98 | 160 |
| NIN-NCR18xTRF | 180 | ±10% (K) | ±5% (J) | 10 | 25.2 MHz | 300 | 1.05 | 155 |
| NIN-NCR22xTRF | 220 | ±10% (K) | ±5% (J) | 10 | 25.2 MHz | 260 | 1.15 | 145 |
| NIN-NCR27xTRF | 270 | ±10% (K) | ±5% (J) | 10 | 25.2 MHz | 230 | 1.25 | 140 |
| NIN-NCR33xTRF | 330 | ±10% (K) | ±5% (J) | 10 | 25.2 MHz | 200 | 1.37 | 135 |
| NIN-NCR39xTRF | 390 | ±10% (K) | ±5% (J) | 10 | 25.2 MHz | 180 | 1.47 | 130 |
| NIN-NCR47xTRF | 470 | ±10% (K) | ±5% (J) | 10 | 25.2 MHz | 160 | 1.58 | 125 |
| NIN-NCR56xTRF | 560 | ±10% (K) | ±5% (J) | 10 | 25.2 MHz | 145 | 1.70 | 120 |
| NIN-NCR68xTRF | 680 | ±10% (K) | ±5% (J) | 10 | 25.2 MHz | 130 | 1.85 | 110 |
| NIN-NCR82xTRF | 820 | ±10% (K) | ±5% (J) | 10 | 25.2 MHz | 100 | 2.10 | 100 |

Note: Extended values, tolerances, and enhanced versions are available please contact NIC for more details.



For Quality Factor (Q) and Inductance (L)
over Frequency curves
see www.RFpassives.com

NIN-PC SERIES C SIZE (1008) HIGH CURRENT TYPE

| NIC P/N | 'L' Inductance (nH) | Tolerance | | 'Q' Factor (min.) | L & Q Test Frequency | SRF MHz (min.) | DC Resistance (ohms) Max. | Rated DC Current (mA) Max. |
|---------------|---------------------|-----------|-------|-------------------|----------------------|----------------|---------------------------|----------------------------|
| | | (std) | (opt) | | | | | |
| NIN-PC1R0MTRF | 1.0 | ±20% (M) | --- | 10 | 7.96 MHz | 95 | 0.45 | 475 |
| NIN-PC1R5MTRF | 1.5 | ±20% (M) | --- | 10 | 7.96 MHz | 85 | 0.55 | 435 |
| NIN-PC2R2MTRF | 2.2 | ±20% (M) | --- | 10 | 7.96 MHz | 65 | 0.65 | 390 |
| NIN-PC3R3MTRF | 3.3 | ±20% (M) | --- | 8 | 7.96 MHz | 55 | 0.85 | 340 |
| NIN-PC4R7MTRF | 4.7 | ±20% (M) | --- | 8 | 7.96 MHz | 43 | 1.20 | 285 |
| NIN-PC6R8MTRF | 6.8 | ±20% (M) | --- | 8 | 7.96 MHz | 39 | 1.30 | 275 |
| NIN-PC100KTRF | 10 | ±10% (K) | --- | 20 | 2.52 MHz | 32 | 2.20 | 210 |
| NIN-PC120KTRF | 12 | ±10% (K) | --- | 20 | 2.52 MHz | 25 | 2.70 | 195 |
| NIN-PC150KTRF | 15 | ±10% (K) | --- | 20 | 2.52 MHz | 21 | 3.20 | 175 |
| NIN-PC220KTRF | 22 | ±10% (K) | --- | 20 | 2.52 MHz | 18 | 4.00 | 160 |
| NIN-PC330KTRF | 33 | ±10% (K) | --- | 20 | 2.52 MHz | 16 | 6.50 | 120 |

Note: Extended values, tolerances, and enhanced versions are available please contact NIC for more details.

For Quality Factor (Q) and Inductance (L) over Frequency curves see www.RFpassives.com

NIN-FA SERIES A S |210) STANDARD TYPE

| NIC P/N | 'L' Inductance (μH) | Tolerance | | 'Q' Factor (min.) | L & Q Test Frequency | SRF MHz (min.) | DC Resistance (ohms) Max. | Rated DC Current (mA) Max. |
|---------------|---------------------|-----------|----------|-------------------|----------------------|----------------|---------------------------|----------------------------|
| | | (std) | (opt) | | | | | |
| NIN-FAR22xTRF | 0.22 | ±20% (M) | ±10% (K) | 25 | 25.2 MHz | 230 | 0.29 | 360 |
| NIN-FAR27xTRF | 0.27 | ±20% (M) | ±10% (K) | 25 | 25.2 MHz | 210 | 0.32 | 345 |
| NIN-FAR33xTRF | 0.33 | ±20% (M) | ±10% (K) | 25 | 25.2 MHz | 190 | 0.35 | 330 |
| NIN-FAR39xTRF | 0.39 | ±20% (M) | ±10% (K) | 25 | 25.2 MHz | 175 | 0.39 | 305 |
| NIN-FAR47xTRF | 0.47 | ±20% (M) | ±10% (K) | 25 | 25.2 MHz | 160 | 0.44 | 290 |
| NIN-FAR56xTRF | 0.56 | ±20% (M) | ±10% (K) | 25 | 25.2 MHz | 150 | 0.49 | 275 |
| NIN-FAR68xTRF | 0.68 | ±20% (M) | ±10% (K) | 25 | 25.2 MHz | 135 | 0.55 | 260 |
| NIN-FAR82xTRF | 0.82 | ±20% (M) | ±10% (K) | 25 | 25.2 MHz | 125 | 0.61 | 245 |
| NIN-FA1R0xTRF | 1.0 | ±10% (K) | ±5% (J) | 30 | 7.96 MHz | 115 | 0.69 | 230 |
| NIN-FA1R2xTRF | 1.2 | ±10% (K) | ±5% (J) | 30 | 7.96 MHz | 100 | 0.75 | 215 |
| NIN-FA1R5xTRF | 1.5 | ±10% (K) | ±5% (J) | 30 | 7.96 MHz | 90 | 0.75 | 210 |
| NIN-FA1R8xTRF | 1.8 | ±10% (K) | ±5% (J) | 30 | 7.96 MHz | 85 | 0.82 | 200 |
| NIN-FA2R2xTRF | 2.2 | ±10% (K) | ±5% (J) | 30 | 7.96 MHz | 80 | 0.95 | 190 |
| NIN-FA2R7xTRF | 2.7 | ±10% (K) | ±5% (J) | 30 | 7.96 MHz | 75 | 1.10 | 180 |
| NIN-FA3R3xTRF | 3.3 | ±10% (K) | ±5% (J) | 30 | 7.96 MHz | 65 | 1.20 | 180 |
| NIN-FA3R9xTRF | 3.9 | ±10% (K) | ±5% (J) | 30 | 7.96 MHz | 60 | 1.30 | 175 |
| NIN-FA4R7xTRF | 4.7 | ±10% (K) | ±5% (J) | 30 | 7.96 MHz | 55 | 1.50 | 165 |
| NIN-FA5R6TRF | 5.6 | ±10% (K) | ±5% (J) | 30 | 7.96 MHz | 50 | 1.60 | 160 |
| NIN-FA6R8xTRF | 6.8 | ±10% (K) | ±5% (J) | 30 | 7.96 MHz | 45 | 1.80 | 150 |
| NIN-FA8R2xTRF | 8.2 | ±10% (K) | ±5% (J) | 30 | 7.96 MHz | 40 | 2.00 | 140 |
| NIN-FA100xTRF | 10 | ±10% (K) | ±5% (J) | 30 | 2.52 MHz | 36 | 2.10 | 140 |
| NIN-FA120xTRF | 12 | ±10% (K) | ±5% (J) | 30 | 2.52 MHz | 33 | 2.50 | 125 |
| NIN-FA150xTRF | 15 | ±10% (K) | ±5% (J) | 30 | 2.52 MHz | 30 | 2.80 | 120 |
| NIN-FA180xTRF | 18 | ±10% (K) | ±5% (J) | 30 | 2.52 MHz | 27 | 3.30 | 110 |
| NIN-FA220xTRF | 22 | ±10% (K) | ±5% (J) | 30 | 2.52 MHz | 25 | 3.70 | 105 |
| NIN-FA270xTRF | 27 | ±10% (K) | ±5% (J) | 30 | 2.52 MHz | 22 | 5.00 | 90 |
| NIN-FA330xTRF | 33 | ±10% (K) | ±5% (J) | 30 | 2.52 MHz | 20 | 5.60 | 85 |
| NIN-FA390xTRF | 39 | ±10% (K) | ±5% (J) | 30 | 2.52 MHz | 20 | 6.40 | 80 |
| NIN-FA470xTRF | 47 | ±10% (K) | ±5% (J) | 30 | 2.52 MHz | 15 | 7.00 | 75 |
| NIN-FA560xTRF | 56 | ±10% (K) | ±5% (J) | 30 | 2.52 MHz | 15 | 8.00 | 70 |
| NIN-FA680xTRF | 68 | ±10% (K) | ±5% (J) | 30 | 2.52 MHz | 15 | 9.00 | 65 |
| NIN-FA820xTRF | 82 | ±10% (K) | ±5% (J) | 30 | 2.52 MHz | 11 | 10.0 | 60 |
| NIN-FA101xTRF | 100 | ±10% (K) | ±5% (J) | 20 | 0.796 MHz | 10 | 10.0 | 60 |
| NIN-FA121xTRF | 120 | ±10% (K) | ±5% (J) | 20 | 0.796 MHz | 10 | 11.0 | 55 |
| NIN-FA151xTRF | 150 | ±10% (K) | ±5% (J) | 20 | 0.796 MHz | 8 | 15.0 | 50 |
| NIN-FA181xTRF | 180 | ±10% (K) | ±5% (J) | 20 | 0.796 MHz | 7 | 17.0 | 50 |
| NIN-FA221xTRF | 220 | ±10% (K) | ±5% (J) | 20 | 0.796 MHz | 7 | 21.0 | 45 |

Note: Extended values, tolerances, and enhanced versions are available please contact NIC for more details.



For Quality Factor (Q) and Inductance (L)
over Frequency curves
see www.RFpassives.com

NIN-NA SERIES A SIZE (1210) HIGH FREQUENCY

| NIC P/N | 'L' Inductance (μH) | Tolerance | | 'Q' Factor (min.) | L & Q Test Frequency | SRF MHz (min.) | DC Resistance (ohms) Max. | Rated DC Current (mA) Max. |
|---------------|---------------------|-----------|-------|-------------------|----------------------|----------------|---------------------------|----------------------------|
| | | (std) | (opt) | | | | | |
| NIN-NA47NMTRF | 0.047 | ±20% (M) | --- | 10 | 100 MHz | 680 | 0.20 | 450 |
| NIN-NA56NMTRF | 0.056 | ±20% (M) | --- | 10 | 100 MHz | 600 | 0.22 | 420 |
| NIN-NA68NMTRF | 0.068 | ±20% (M) | --- | 10 | 100 MHz | 540 | 0.25 | 400 |
| NIN-NA82NMTRF | 0.082 | ±20% (M) | --- | 10 | 100 MHz | 500 | 0.27 | 380 |
| NIN-NAR10MTRF | 0.10 | ±20% (M) | --- | 10 | 100 MHz | 450 | 0.30 | 360 |
| NIN-NAR12MTRF | 0.12 | ±20% (M) | --- | 10 | 25.2 MHz | 400 | 0.67 | 240 |
| NIN-NAR15MTRF | 0.15 | ±20% (M) | --- | 10 | 25.2 MHz | 350 | 0.72 | 230 |
| NIN-NAR18MTRF | 0.18 | ±20% (M) | --- | 10 | 25.2 MHz | 320 | 0.81 | 220 |
| NIN-NAR22KTRF | 0.22 | ±10% (K) | --- | 10 | 25.2 MHz | 280 | 0.90 | 210 |
| NIN-NAR27KTRF | 0.27 | ±10% (K) | --- | 10 | 25.2 MHz | 250 | 1.00 | 200 |
| NIN-NAR33KTRF | 0.33 | ±10% (K) | --- | 10 | 25.2 MHz | 220 | 1.10 | 190 |
| NIN-NAR39KTRF | 0.39 | ±10% (K) | --- | 10 | 25.2 MHz | 200 | 1.20 | 180 |
| NIN-NAR47KTRF | 0.47 | ±10% (K) | --- | 10 | 25.2 MHz | 180 | 1.40 | 175 |
| NIN-NAR56KTRF | 0.56 | ±10% (K) | --- | 10 | 25.2 MHz | 160 | 1.50 | 170 |
| NIN-NAR68KTRF | 0.68 | ±10% (K) | --- | 10 | 25.2 MHz | 150 | 1.70 | 155 |
| NIN-NAR82KTRF | 0.82 | ±10% (K) | --- | 10 | 25.2 MHz | 135 | 1.90 | 145 |
| NIN-NA1R0JTRF | 1.0 | ±5% (J) | --- | 13 | 7.96 MHz | 120 | 2.10 | 125 |
| NIN-NA1R2JTRF | 1.2 | ±5% (J) | --- | 13 | 7.96 MHz | 110 | 2.20 | 120 |
| NIN-NA1R5JTRF | 1.5 | ±5% (J) | --- | 13 | 7.96 MHz | 95 | 2.70 | 115 |
| NIN-NA1R8JTRF | 1.8 | ±5% (J) | --- | 13 | 7.96 MHz | 85 | 3.00 | 110 |
| NIN-NA2R2JTRF | 2.2 | ±5% (J) | --- | 13 | 7.96 MHz | 80 | 3.20 | 110 |
| NIN-NA2R7JTRF | 2.7 | ±5% (J) | --- | 13 | 7.96 MHz | 70 | 3.60 | 105 |
| NIN-NA3R3JTRF | 3.3 | ±5% (J) | --- | 13 | 7.96 MHz | 62 | 4.20 | 100 |
| NIN-NA3R9JTRF | 3.9 | ±5% (J) | --- | 13 | 7.96 MHz | 57 | 4.40 | 95 |
| NIN-NA4R7JTRF | 4.7 | ±5% (J) | --- | 13 | 7.96 MHz | 52 | 7.70 | 70 |
| NIN-NA5R6JTRF | 5.6 | ±5% (J) | --- | 13 | 7.96 MHz | 46 | 8.70 | 65 |
| NIN-NA6R8JTRF | 6.8 | ±5% (J) | --- | 13 | 7.96 MHz | 42 | 10.0 | 60 |
| NIN-NA8R2JTRF | 8.2 | ±5% (J) | --- | 13 | 7.96 MHz | 38 | 11.0 | 60 |

Note: Extended values, tolerances, and enhanced versions are available please contact NIC for more details.



For Quality Factor (Q) and Inductance (L)
over Frequency curves
see www.RFpassives.com

NIN-PA SERIES A SIZE (1210) HIGH CURRENT TYPE

| NIC P/N | 'L' Inductance (μH) | Tolerance | | 'Q' Factor (min.) | L & Q Test Frequency | SRF MHz (min.) | DC Resistance (ohms) Max. | Rated DC Current (mA) Max. |
|---------------|---------------------|-----------|-------|-------------------|----------------------|----------------|---------------------------|----------------------------|
| | | (std) | (opt) | | | | | |
| NIN-PA1R0MTRF | 1.0 | ±20% (M) | --- | 7 | 7.96 MHz | 150 | 0.15 | 600 |
| NIN-PA1R5MTRF | 1.5 | ±20% (M) | --- | 7 | 7.96 MHz | 110 | 0.18 | 550 |
| NIN-PA2R2MTRF | 2.2 | ±20% (M) | --- | 7 | 7.96 MHz | 80 | 0.23 | 500 |
| NIN-PA3R3MTRF | 3.3 | ±20% (M) | --- | 7 | 7.96 MHz | 56 | 0.28 | 400 |
| NIN-PA4R7MTRF | 4.7 | ±20% (M) | --- | 7 | 7.96 MHz | 46 | 0.34 | 350 |
| NIN-PA6R8MTRF | 6.8 | ±20% (M) | --- | 7 | 7.96 MHz | 38 | 0.42 | 300 |
| NIN-PA100KTRF | 10 | ±10% (K) | --- | 15 | 2.52 MHz | 23 | 0.50 | 240 |
| NIN-PA120KTRF | 12 | ±10% (K) | --- | 15 | 2.52 MHz | 21 | 0.60 | 230 |
| NIN-PA150KTRF | 15 | ±10% (K) | --- | 15 | 2.52 MHz | 18 | 0.74 | 220 |
| NIN-PA180KTRF | 18 | ±10% (K) | --- | 15 | 2.52 MHz | 17 | 0.90 | 205 |
| NIN-PA220KTRF | 22 | ±10% (K) | --- | 15 | 2.52 MHz | 15 | 1.15 | 185 |
| NIN-PA270KTRF | 27 | ±10% (K) | --- | 15 | 2.52 MHz | 13 | 1.45 | 165 |
| NIN-PA330KTRF | 33 | ±10% (K) | --- | 15 | 2.52 MHz | 12 | 1.65 | 155 |
| NIN-PA390KTRF | 39 | ±10% (K) | --- | 15 | 2.52 MHz | 11 | 1.90 | 145 |
| NIN-PA470KTRF | 47 | ±10% (K) | --- | 15 | 2.52 MHz | 9.5 | 2.25 | 135 |
| NIN-PA560KTRF | 56 | ±10% (K) | --- | 15 | 2.52 MHz | 8.5 | 3.30 | 110 |
| NIN-PA680KTRF | 68 | ±10% (K) | --- | 15 | 2.52 MHz | 7.5 | 3.70 | 105 |
| NIN-PA820KTRF | 82 | ±10% (K) | --- | 15 | 2.52 MHz | 7.0 | 4.20 | 100 |
| NIN-PA101KTRF | 100 | ±10% (K) | --- | 20 | 0.796 MHz | 6.5 | 5.00 | 90 |
| NIN-PA121KTRF | 120 | ±10% (K) | --- | 20 | 0.796 MHz | 6.0 | 7.00 | 75 |
| NIN-PA151KTRF | 150 | ±10% (K) | --- | 20 | 0.796 MHz | 5.5 | 8.00 | 70 |
| NIN-PA181KTRF | 180 | ±10% (K) | --- | 20 | 0.796 MHz | 5.0 | 9.50 | 65 |
| NIN-PA221KTRF | 220 | ±10% (K) | --- | 20 | 0.796 MHz | 4.0 | 11.0 | 60 |
| NIN-PA271KTRF | 270 | ±10% (K) | --- | 20 | 0.796 MHz | 3.5 | 14.5 | 55 |
| NIN-PA331KTRF | 330 | ±10% (K) | --- | 20 | 0.796 MHz | 3.0 | 16.0 | 50 |

Note: Extended values, tolerances, and enhanced versions are available please contact NIC for more details.



For Quality Factor (Q) and Inductance (L)
over Frequency curves
see www.RFpassives.com

NIN-FB SERIES B-SIZE (1812) STANDARD VALUES

| NIC P/N | 'L' Inductance (μH) | Tolerance | | 'Q' Factor (min.) | L & Q Test Frequency | SRF MHz (min.) | DC Resistance (ohms) Max. | Rated DC Current (mA) Max. |
|---------------|---------------------|-----------|----------|-------------------|----------------------|----------------|---------------------------|----------------------------|
| | | (std) | (opt) | | | | | |
| NIN-FBR10xTRF | 0.10 | ±20% (M) | ±10% (K) | 35 | 25.2 MHz | 300 | 0.18 | 800 |
| NIN-FBR12xTRF | 0.12 | ±20% (M) | ±10% (K) | 35 | 25.2 MHz | 280 | 0.20 | 770 |
| NIN-FBR15xTRF | 0.15 | ±20% (M) | ±10% (K) | 35 | 25.2 MHz | 250 | 0.22 | 730 |
| NIN-FBR18xTRF | 0.18 | ±20% (M) | ±10% (K) | 35 | 25.2 MHz | 220 | 0.24 | 700 |
| NIN-FBR22xTRF | 0.22 | ±20% (M) | ±10% (K) | 40 | 25.2 MHz | 200 | 0.25 | 665 |
| NIN-FBR27xTRF | 0.27 | ±20% (M) | ±10% (K) | 40 | 25.2 MHz | 180 | 0.26 | 635 |
| NIN-FBR33xTRF | 0.33 | ±20% (M) | ±10% (K) | 40 | 25.2 MHz | 165 | 0.28 | 605 |
| NIN-FBR39xTRF | 0.39 | ±20% (M) | ±10% (K) | 40 | 25.2 MHz | 150 | 0.30 | 575 |
| NIN-FBR47xTRF | 0.47 | ±20% (M) | ±10% (K) | 40 | 25.2 MHz | 145 | 0.32 | 545 |
| NIN-FBR56xTRF | 0.56 | ±20% (M) | ±10% (K) | 40 | 25.2 MHz | 140 | 0.36 | 520 |
| NIN-FBR68xTRF | 0.68 | ±20% (M) | ±10% (K) | 40 | 25.2 MHz | 135 | 0.40 | 500 |
| NIN-FBR82xTRF | 0.82 | ±20% (M) | ±10% (K) | 40 | 25.2 MHz | 130 | 0.45 | 475 |
| NIN-FB1R0xTRF | 1.0 | ±20% (M) | ±10% (K) | 50 | 7.96 MHz | 100 | 0.50 | 450 |
| NIN-FB1R2xTRF | 1.2 | ±20% (M) | ±10% (K) | 50 | 7.96 MHz | 80 | 0.55 | 430 |
| NIN-FB1R5xTRF | 1.5 | ±20% (M) | ±10% (K) | 50 | 7.96 MHz | 70 | 0.60 | 410 |
| NIN-FB1R8xTRF | 1.8 | ±20% (M) | ±10% (K) | 50 | 7.96 MHz | 60 | 0.65 | 390 |
| NIN-FB2R2xTRF | 2.2 | ±20% (M) | ±10% (K) | 50 | 7.96 MHz | 55 | 0.70 | 380 |
| NIN-FB2R7xTRF | 2.7 | ±20% (M) | ±10% (K) | 50 | 7.96 MHz | 50 | 0.75 | 370 |
| NIN-FB3R3xTRF | 3.3 | ±20% (M) | ±10% (K) | 50 | 7.96 MHz | 45 | 0.80 | 355 |
| NIN-FB3R9xTRF | 3.9 | ±20% (M) | ±10% (K) | 50 | 7.96 MHz | 40 | 0.90 | 330 |
| NIN-FB4R7xTRF | 4.7 | ±20% (M) | ±10% (K) | 50 | 7.96 MHz | 35 | 1.00 | 315 |
| NIN-FB5R6xTRF | 5.6 | ±20% (M) | ±10% (K) | 50 | 7.96 MHz | 33 | 1.10 | 300 |
| NIN-FB6R8xTRF | 6.8 | ±20% (M) | ±10% (K) | 50 | 7.96 MHz | 27 | 1.20 | 285 |
| NIN-FB8R2xTRF | 8.2 | ±20% (M) | ±10% (K) | 50 | 7.96 MHz | 25 | 1.40 | 270 |

Note: Extended values, tolerances, and enhanced versions are available please contact NIC for more details.

For Quality Factor (Q) and Inductance (L) over Frequency curves see www.RFpassives.com

NIN-FB SERIES B-SIZE (1812) STANDARD VALUES

| NIC P/N | 'L' Inductance (μH) | Tolerance | | 'Q' Factor (min.) | L & Q Test Frequency | SRF MHz (min.) | DC Resistance (ohms) Max. | Rated DC Current (mA) Max. |
|---------------|---------------------|-----------|---------|-------------------|----------------------|----------------|---------------------------|----------------------------|
| | | (std) | (opt) | | | | | |
| NIN-FB100xTRF | 10 | ±10% (K) | ±5% (J) | 50 | 2.52 MHz | 20 | 1.60 | 250 |
| NIN-FB120xTRF | 12 | ±10% (K) | ±5% (J) | 50 | 2.52 MHz | 18 | 2.00 | 225 |
| NIN-FB150xTRF | 15 | ±10% (K) | ±5% (J) | 50 | 2.52 MHz | 17 | 2.50 | 200 |
| NIN-FB180xTRF | 18 | ±10% (K) | ±5% (J) | 50 | 2.52 MHz | 15 | 2.80 | 190 |
| NIN-FB220xTRF | 22 | ±10% (K) | ±5% (J) | 50 | 2.52 MHz | 13 | 3.20 | 180 |
| NIN-FB270xTRF | 27 | ±10% (K) | ±5% (J) | 50 | 2.52 MHz | 12 | 3.60 | 170 |
| NIN-FB330xTRF | 33 | ±10% (K) | ±5% (J) | 50 | 2.52 MHz | 11 | 4.00 | 160 |
| NIN-FB390xTRF | 39 | ±10% (K) | ±5% (J) | 50 | 2.52 MHz | 10 | 4.50 | 150 |
| NIN-FB470xTRF | 47 | ±10% (K) | ±5% (J) | 50 | 2.52 MHz | 10 | 5.00 | 140 |
| NIN-FB560xTRF | 56 | ±10% (K) | ±5% (J) | 50 | 2.52 MHz | 9.0 | 5.50 | 135 |
| NIN-FB680xTRF | 68 | ±10% (K) | ±5% (J) | 50 | 2.52 MHz | 9.0 | 6.00 | 130 |
| NIN-FB820xTRF | 82 | ±10% (K) | ±5% (J) | 50 | 2.52 MHz | 8.0 | 7.00 | 120 |
| NIN-FB101xTRF | 100 | ±10% (K) | ±5% (J) | 40 | 0.796 MHz | 8.0 | 8.00 | 110 |
| NIN-FB121xTRF | 120 | ±10% (K) | ±5% (J) | 40 | 0.796 MHz | 6.0 | 8.00 | 110 |
| NIN-FB151xTRF | 150 | ±10% (K) | ±5% (J) | 40 | 0.796 MHz | 5.0 | 9.00 | 105 |
| NIN-FB181xTRF | 180 | ±10% (K) | ±5% (J) | 40 | 0.796 MHz | 5.0 | 9.50 | 102 |
| NIN-FB221xTRF | 220 | ±10% (K) | ±5% (J) | 40 | 0.796 MHz | 4.0 | 10.0 | 100 |
| NIN-FB271xTRF | 270 | ±10% (K) | ±5% (J) | 40 | 0.796 MHz | 4.0 | 12.0 | 92 |
| NIN-FB331xTRF | 330 | ±10% (K) | ±5% (J) | 40 | 0.796 MHz | 3.5 | 14.0 | 85 |
| NIN-FB391xTRF | 390 | ±10% (K) | ±5% (J) | 40 | 0.796 MHz | 3.0 | 19.0 | 80 |
| NIN-FB471xTRF | 470 | ±10% (K) | ±5% (J) | 40 | 0.796 MHz | 3.0 | 26.0 | 62 |
| NIN-FB561xTRF | 560 | ±10% (K) | ±5% (J) | 30 | 0.796 MHz | 3.0 | 30.0 | 50 |
| NIN-FB681xTRF | 680 | ±10% (K) | ±5% (J) | 30 | 0.796 MHz | 3.0 | 30.0 | 50 |
| NIN-FB821xTRF | 820 | ±10% (K) | ±5% (J) | 30 | 0.796 MHz | 2.5 | 35.0 | 30 |
| NIN-FB102xTRF | 1000 | ±10% (K) | ±5% (J) | 30 | 0.796 MHz | 2.5 | 40.0 | 30 |

Note: Extended values, tolerances, and enhanced versions are available please contact NIC for more details.



NIN-PB SERIES

B-SIZE (1812)

STANDARD VALUES

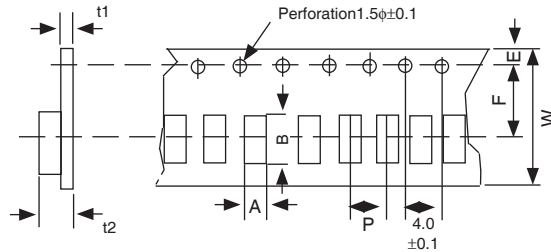
| NIC P/N | 'L' Inductance (μH) | Tolerance | 'Q' Factor (min.) | L & Q Test Frequency (MHz) | SRF MHz (min.) | DC Resistance (ohms) Max. | Rated DC Current (mA) Max. |
|---------------|---------------------|-----------|-------------------|----------------------------|----------------|---------------------------|----------------------------|
| | | (std) | | | | | |
| NIN-PB1R0KTRF | 1 | ±10% | 10 | 7.96 | 200 | 0.11 | 1050 |
| NIN-PB1R2KTRF | 1.2 | ±10% | 10 | 7.96 | 160 | 0.12 | 1000 |
| NIN-PB1R5KTRF | 1.5 | ±10% | 10 | 7.96 | 130 | 0.15 | 950 |
| NIN-PB1R8KTRF | 1.8 | ±10% | 10 | 7.96 | 100 | 0.16 | 900 |
| NIN-PB2R2KTRF | 2.2 | ±10% | 10 | 7.96 | 80 | 0.18 | 850 |
| NIN-PB2R7KTRF | 2.7 | ±10% | 10 | 7.96 | 60 | 0.20 | 800 |
| NIN-PB3R3KTRF | 3.3 | ±10% | 10 | 7.96 | 45 | 0.22 | 750 |
| NIN-PB3R9KTRF | 3.9 | ±10% | 10 | 7.96 | 40 | 0.24 | 700 |
| NIN-PB4R7KTRF | 4.7 | ±10% | 10 | 7.96 | 35 | 0.27 | 650 |
| NIN-PB5R6KTRF | 5.6 | ±10% | 10 | 7.96 | 30 | 0.30 | 650 |
| NIN-PB6R8KTRF | 6.8 | ±10% | 10 | 7.96 | 28 | 0.35 | 600 |
| NIN-PB8R2KTRF | 8.2 | ±10% | 10 | 7.96 | 25 | 0.40 | 600 |
| NIN-PB100KTRF | 10 | ±10% | 10 | 2.52 | 22 | 0.50 | 550 |
| NIN-PB120KTRF | 12 | ±10% | 10 | 2.52 | 21 | 0.60 | 500 |
| NIN-PB150KTRF | 15 | ±10% | 10 | 2.52 | 20 | 0.70 | 450 |
| NIN-PB180KTRF | 18 | ±10% | 10 | 2.52 | 19 | 0.80 | 400 |
| NIN-PB220KTRF | 22 | ±10% | 10 | 2.52 | 18 | 0.90 | 370 |
| NIN-PB270KTRF | 27 | ±10% | 10 | 2.52 | 16 | 1.2 | 330 |
| NIN-PB330KTRF | 33 | ±10% | 10 | 2.52 | 14 | 1.4 | 300 |
| NIN-PB390KTRF | 39 | ±10% | 10 | 2.52 | 12 | 1.6 | 280 |
| NIN-PB470KTRF | 47 | ±10% | 10 | 2.52 | 11.5 | 1.9 | 260 |
| NIN-PB560KTRF | 56 | ±10% | 10 | 2.52 | 11 | 2.2 | 240 |
| NIN-PB680KTRF | 68 | ±10% | 10 | 2.52 | 10 | 2.6 | 220 |
| NIN-PB820KTRF | 82 | ±10% | 10 | 2.52 | 9.0 | 3.5 | 200 |
| NIN-PB101KTRF | 100 | ±10% | 20 | 0.796 | 8.0 | 4.0 | 180 |
| NIN-PB121KTRF | 120 | ±10% | 20 | 0.796 | 7.5 | 4.5 | 160 |
| NIN-PB151KTRF | 150 | ±10% | 20 | 0.796 | 7.0 | 6.5 | 140 |
| NIN-PB181KTRF | 180 | ±10% | 20 | 0.796 | 6.5 | 7.5 | 120 |
| NIN-PB221KTRF | 220 | ±10% | 20 | 0.796 | 5.5 | 9.0 | 120 |
| NIN-PB271KTRF | 270 | ±10% | 20 | 0.796 | 5.0 | 11 | 100 |
| NIN-PB331KTRF | 330 | ±10% | 20 | 0.796 | 4.0 | 13 | 90 |
| NIN-PB391KTRF | 390 | ±10% | 20 | 0.796 | 3.0 | 14 | 85 |
| NIN-PB471KTRF | 470 | ±10% | 20 | 0.796 | 3.0 | 16 | 75 |
| NIN-PB561KTRF | 560 | ±10% | 20 | 0.796 | 3.0 | 18 | 70 |
| NIN-PB681KTRF | 680 | ±10% | 20 | 0.796 | 2.5 | 22 | 65 |

Note: Extended values, tolerances, and enhanced versions are available please contact NIC for more details.



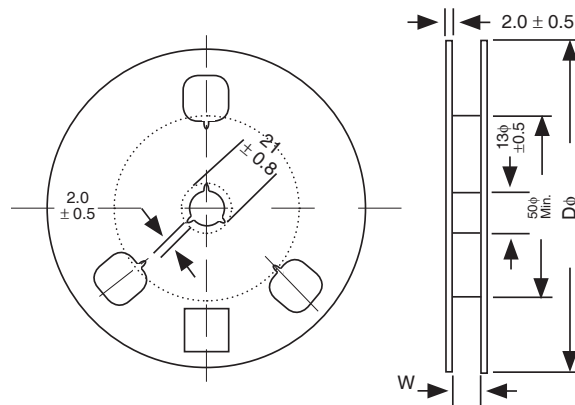
CARRIER TAPE DIMENSIONS (mm)

| Case Code | Type | Size | W±0.3 | A±0.2 | B±0.2 | P±0.1 | E±0.1 | F±0.1 | t1 | t2 |
|-----------|----------|------|-------|-------|-------|-------|-------|-------|------|------|
| D | ND | 0805 | 8.0 | 1.45 | 2.25 | 4.0 | 1.75 | 3.5 | 0.25 | 1.55 |
| C | FC/NC/PC | 1008 | 8.0 | 2.4 | 2.9 | 4.0 | 1.75 | 3.5 | 0.25 | 1.85 |
| A | FA/NA/PA | 1210 | 8.0 | 2.8 | 3.6 | 4.0 | 1.75 | 3.5 | 0.25 | 2.40 |
| B | FB/PB | 1812 | 12.0 | 3.6 | 4.9 | 8.0 | 1.75 | 5.5 | 0.30 | 3.50 |

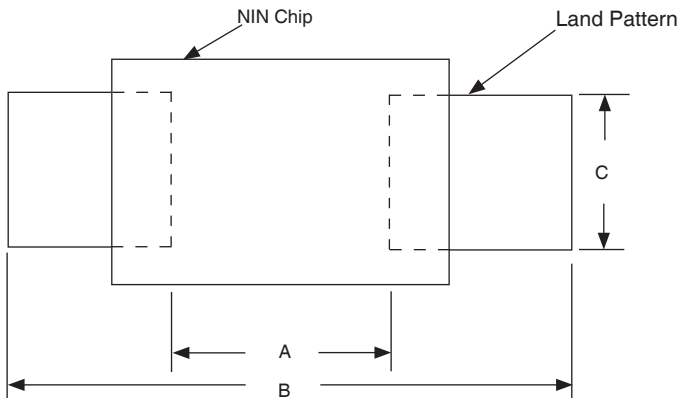


DIMENSIONS (mm)

| Case Code | Type | Size | Dφ±2.0 | W±1.5 | Qty/Reel |
|-----------|----------|------|--------|-------|----------|
| D | ND | 0805 | 180 | 9.0 | 3000 pcs |
| C | FC/NC/PC | 1008 | 180 | 9.0 | 2000 pcs |
| A | FA/NA/PA | 1210 | 180 | 9.0 | 2000 pcs |
| B | FB/PB | 1812 | 180 | 13.0 | 500 pcs |



RECOMMENDED LAND PATTERNS FOR FLOW AND REFLOW SOLDERING



DIMENSIONS (mm)

| Case Code | Type | Size | A | B | C |
|-----------|----------|------|---------|---------|---------|
| D | ND | 0805 | 1.0~1.2 | 3.0~3.8 | 0.9~1.3 |
| C | FC/NC/PC | 1008 | 1.4~1.5 | 3.5~4.0 | 1.2~1.6 |
| A | FA/NA/PA | 1210 | 1.6~2.0 | 4.0~4.6 | 1.9~2.4 |
| B | FB | 1812 | 2.0~2.6 | 5.0~6.0 | 1.4~2.4 |



X-ON Electronics

Largest Supplier of Electrical and Electronic Components

Click to view similar products for [Coupled Inductors](#) category:

Click to view products by [NIC](#) manufacturer:

Other Similar products are found below :

[NPIS48LS1R0YTRF](#) [UP2-150-R](#) [NPIS21LS2R2MTRF](#) [NIN-HCR27JTRF](#) [CPL-4-50TR-R](#) [SRP2313AA-220M](#) [SRR3818A-330M](#)
[SRP2313AA-330M](#) [HM78D-755470MLFTR](#) [P0175NL](#) [FPT705-150-R](#) [HM78D-1288R2MLFTR](#) [SRF1280-1R5Y](#) [47100C](#) [DRQ125-102-R](#)
[48100C](#) [CTX16-18405-R](#) [74485542820](#) [DRQ125-820-R](#) [74485542680](#) [CTX68-4A-R](#) [CTX50-3P-R](#) [CTX5-1-R](#) [DRQ127-R47-R](#) [SRF4530A-](#)
[101Y](#) [CTX15-2P-R](#) [HM78D-755220MLFTR](#) [HA78D-1284R7MLFTR](#) [CTX16-17769-R](#) [HM78D-1210680MLFTR](#) [CTX150-4A-R](#)
[74485540820](#) [476R8C](#) [47101C](#) [48220C](#) [CL1108-4-50TR-R](#) [CL-12-24](#) [SRF1280-R47Y](#) [CL-4-8](#) [47330C](#) [47220C](#) [74485540101](#) [CL-1-2](#) [CL-](#)
[2-4](#) [CL-6-12](#) [PM3602-150-RC](#) [PM3602-5-RC](#) [PM3602-200-RC](#) [PM3602-250-RC](#) [PM3602-300-RC](#)