

## FEATURES

- SIZES K(0402), J (0603), D (0805), C (1008), E (1206), A (1210) and B (1812)
- HIGH Q, HIGH CURRENT AND HIGH SRF CHARACTERISTICS
- EXPANDED PERFORMANCE TYPES NOW AVAILABLE
- EMBOSSED PLASTIC CARRIER PACKAGING FOR AUTOMATIC PICK-PLACE



## PARAMETER CHARACTERISTICS

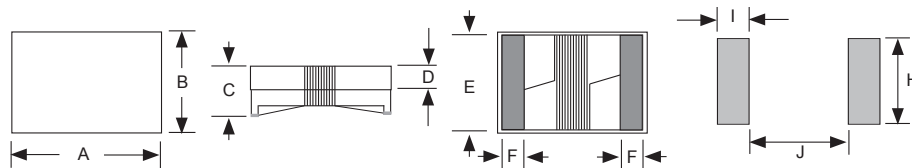
Specifications	Case Size Code						
	0402 (K)	0603 (J)	0805 (D)	1008 (C)	1206 (E)	1210 (A)	1812 (B)
Inductance Range	0.8nH ~ 120nH	1.6nH ~ 560nH	2.2nH ~ 1.0µH	4.7nH ~ 8.2µH	3.3nH ~ 1.2µH	3.9nH ~ 8.6µH	1.0µH ~ 33µH
Inductance Tolerance	±0.2nH (C), ±0.3nH (S), ±0.5 (D), ±2% (G), ±3% (H), ±5% (J), ±10% (K), ±20% (M)						
Operating Temperature Range	-40°C ~ +125°C						

## ENVIRONMENTAL CHARACTERISTICS

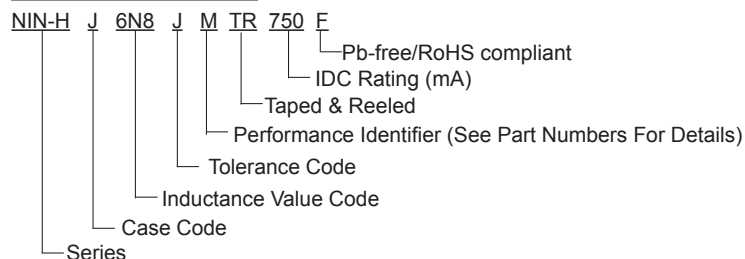
Test	Specifications	Test Method & Condition
Solderability	75% Min. Coverage	After 3 sec. dip in +230°C soldering pot (post flux)
Resistance to Soldering Heat	(1) No evidence of damage (2) Inductance change ±5% of initial value (3) Q factor within ±10% of initial value (±20% for 0402 & 0603 case sizes)	After 5 seconds at +260°C (with pre-conditioning)
Humidity	(1) No evidence of damage	After 500 hours at 60°C and 90 ~ 95% RH (0402 case size - after 96 hours 50°C and 90 ~ 95% RH)
Low Frequency Vibration	(2) Inductance change ±5% of initial value (±10% for 0402 case size)	After 2 hrs per axis, 10 ~ 55Hz, 1.5mm amplitude
Thermal Shock	(3) Q factor within ±10% of initial value (±20% for 0402 & 0603 case sizes)	After 100 cycles (10 cycles 0402) at -40°C and +125°C (30 minutes at each temperature)
Low Temperature Storage		After 500 hrs at -40°C
High Temperature Load Life	(1) No evidence of damage (2) Inductance change ±10% of initial value (±20% for 0402 case size) (3) Q factor within ±10% of initial value (±20% for 0402 & 0603 case sizes)	After 500 hrs at +125°C with rated DC current (0402 case size - after 1,000 hrs at +85°C)
Humidity Load Life	No evidence of short or open circuit	After 500 hrs at 60°C with 90 ~ 95% RH with rated DC current (0402 case size- 1,000 hrs at +40°C)

## COMPONENT & RECOMMEND LAND PATTERN DIMENSIONS (mm):

Type	Case Size	A max.	B max.	C max.	D typ.	E typ.	F typ.	H typ.	I typ.	J typ.
NIN-HK	0402	1.19	0.64	0.66	0.20	0.523	0.215	0.65	0.35	0.50
NIN-HJ	0603	1.80	1.12	1.02	0.38	0.76	0.33	1.02	0.36	0.46
NIN-HD	0805	2.29	1.68	1.55	0.51	1.27	0.50	1.78	1.02	0.76
NIN-HC	1008	2.92	2.79	2.29	0.51	2.10	0.50	2.54	1.02	1.27
NIN-HE	1206	3.56	2.16	1.52	.051	1.60	0.50	1.93	1.02	1.78
NIN-HA	1210	3.65	2.95	2.70	0.51	2.10	.050	3.02	1.02	1.78
NIN-HB	1812	4.95	3.81	3.43	1.78	2.90	.058	3.05	1.14	3.00



### PART NUMBER SYSTEM



## NIN-HK SERIES

## K-SIZE (0402)

## STANDARD VALUES

NIC P/N	INDUCTANCE VALUE (nH)	TOL.	FREQUENCY (MHz)		Q FACTOR	SRF (MHz) Minimum	Max. DC Resistance (ohms)	Rated DC Current (mA)
			L	Q				
NIN-HK0N8_TR1000F	0.8	C,S,D,K	250	250	14	12500	0.035	1000
NIN-HK1N0_TR650F	1	C,S,D,K	250	250	10	12300	0.085	650
NIN-HK1N8_TR950F	1.8	C,S,D,J,K	250	250	20	14000	0.043	950
NIN-HK1N9_TR950F	1.9	C,S,D,J,K	250	250	20	13800	0.043	950
NIN-HK2N0_TR950F	2	C,S,D,J,K	250	250	23	14000	0.043	950
NIN-HK2N2_TR820F	2.2	C,S,D,J,K	250	250	22	13700	0.058	820
NIN-HK2N4_TR650F	2.4	C,S,D,J,K	250	250	18	12100	0.091	650
NIN-HK2N7_TR900F	2.7	C,S,D,J,K	250	250	24	13200	0.050	900
NIN-HK3N0_TR790F	3	S,D,K	250	250	24	11400	0.063	790
NIN-HK3N3_TR790F	3.3	C,S,D,J,K	250	250	24	11500	0.063	790
NIN-HK3N6_TR790F	3.6	C,S,D,J,K	250	250	24	9700	0.063	790
NIN-HK3N9_TR790F	3.9	C,S,D,J,K	250	250	24	8900	0.063	790
NIN-HK4N1_TR700F	4.1	C,S,D,J,K	250	250	22	9400	0.070	700
NIN-HK4N3_TR750F	4.3	C,S,D,J,K	250	250	22	7700	0.070	750
NIN-HK4N7_TR570F	4.7	C,S,D,J,K	250	250	20	7800	0.120	570
NIN-HK5N1_TR620F	5.1	C,S,D,J,K	250	250	23	9800	0.100	620
NIN-HK5N6_TR710F	5.6	C,S,D,J,K	250	250	25	8400	0.078	710
NIN-HK5N8_TR710F	5.8	C,S,D,J,K	250	250	25	8100	0.078	710
NIN-HK6N2_TR710F	6.2	C,S,D,J,K	250	250	25	6500	0.078	710
NIN-HK6N8_TR610F	6.8	G,H,J,K	250	250	24	6000	0.105	610
NIN-HK7N5_TR570F	7.5	G,H,J,K	250	250	25	6000	0.12	570
NIN-HK8N2_TR590F	8.2	G,H,J,K	250	250	25	5500	0.11	590
NIN-HK8N7_TR590F	8.7	G,H,J,K	250	250	25	5500	0.11	590
NIN-HK9N0_TR590F	9	G,H,J,K	250	250	25	5500	0.11	590
NIN-HK9N1_TR590F	9.1	G,H,J,K	250	250	25	5500	0.11	590
NIN-HK100_TR510F	10	G,H,J,K	250	250	24	5500	0.15	510
NIN-HK110_TR570F	11	G,H,J,K	250	250	26	5500	0.12	570
NIN-HK120_TR570F	12	G,H,J,K	250	250	26	5500	0.12	570
NIN-HK130_TR460F	13	G,H,J,K	250	250	24	5000	0.18	460
NIN-HK140_TR430F	14	G,H,J,K	250	250	26	5000	0.21	430
NIN-HK150_TR430F	15	G,H,J,K	250	250	26	5000	0.21	430
NIN-HK160_TR370F	16	G,H,J,K	250	250	25	4500	0.28	370
NIN-HK180_TR370F	18	G,H,J,K	250	250	25	4500	0.28	370
NIN-HK190_TR400F	19	G,H,J,K	250	250	26	4000	0.24	400
NIN-HK200_TR400F	20	G,H,J,K	250	250	26	4000	0.24	400
NIN-HK220_TR330F	22	G,H,J,K	250	250	25	4000	0.36	330
NIN-HK230_TR330F	23	G,H,J,K	250	250	25	3800	0.36	330
NIN-HK240_TR330F	24	G,H,J,K	250	250	25	3500	0.36	330
NIN-HK270_TR320F	27	G,H,J,K	250	250	25	3500	0.38	320
NIN-HK300_TR320F	30	G,H,J,K	250	250	25	3300	0.38	320
NIN-HK330_TR260F	33	G,H,J,K	250	250	24	3200	0.55	260
NIN-HK360_TR250F	36	G,H,J,K	250	250	25	3100	0.60	250

Note: Extended values, tolerances, and enhanced versions are available please contact NIC for more details.



### NIN-HK SERIES

### K-SIZE (0402)

### STANDARD VALUES

NIC P/N	INDUCTANCE VALUE (nH)	TOL.	FREQUENCY (MHz)		Q FACTOR	SRF (MHz) Minimum	Max. DC Resistance (ohms)	Rated DC Current (mA)
			L	Q				
NIN-HK380_TR250F	38	G,H,J,K	250	250	25	3000	0.60	250
NIN-HK390_TR250F	39	G,H,J,K	250	250	25	3000	0.60	250
NIN-HK430_TR240F	43	G,H,J,K	250	250	25	3000	0.68	240
NIN-HK470_TR200F	47	G,H,J,K	250	250	25	2900	0.95	200
NIN-HK510_TR200F	51	G,H,J,K	250	250	25	2850	0.95	200
NIN-HK560_TR190F	56	G,H,J,K	250	250	25	2800	1.05	190
NIN-HK620_TR190F	62	G,H,J,K	250	250	25	2600	1.05	190
NIN-HK680_TR170F	68	G,H,J,K	250	250	25	2500	1.35	170
NIN-HK750_TR140F	75	G,H,J,K	250	250	24	2400	1.75	140
NIN-HK820_TR140F	82	G,H,J,K	250	250	25	2300	1.90	140
NIN-HK910_TR140F	91	G,H,J,K	250	250	25	2100	1.95	140
NIN-HK960_TR130F	96	G,H,J,K	250	250	24	1500	2.06	130
NIN-HKR10_TR130F	100	G,H,J,K	250	250	24	1500	2.06	130
NIN-HKR11_TR120F	110	G,H,J,K	250	250	25	1200	2.38	120
NIN-HKR12_TR110F	120	J,K	250	250	25	1000	2.66	110

Note: Extended values, tolerances, and enhanced versions are available please contact NIC for more details.



# Wirewound Chip Inductors

## NIN-HK SERIES

## K-SIZE (0402)

## "M" EXTENDED PERFORMANCE

NIC P/N	INDUCTANCE VALUE (nH)	TOL.	FREQUENCY (MHz)		Q FACTOR	SRF (MHz) Minimum	Max. DC Resistance (ohms)	Rated DC Current (mA)
			L	Q				
NIN-HK300_MTR270F	30	G,H,J	100	250	25	3300	0.58	270
NIN-HK330_MTR260F	33	G,H,J	100	250	25	3200	0.63	260
NIN-HK360_MTR260F	36	G,H,J	100	250	25	3100	0.63	260
NIN-HK390_MTR250F	39	G,H,J	100	250	25	3000	0.70	250
NIN-HK400_MTR250F	40	G,H,J	100	250	25	3000	0.70	250
NIN-HK430_MTR250F	43	G,H,J	100	250	25	3000	0.70	250
NIN-HK470_MTR210F	47	G,H,J	100	200	25	2900	1.08	210
NIN-HK510_MTR210F	51	G,H,J	100	200	25	2850	1.08	210
NIN-HK560_MTR200F	56	G,H,J	100	200	25	2800	1.17	200
NIN-HK620_MTR145F	62	G,H,J	100	200	20	2600	1.82	145
NIN-HK680_MTR140F	68	G,H,J	100	200	20	2500	1.96	140
NIN-HK720_MTR135F	72	G,H,J	100	150	20	2500	2.10	135
NIN-HK750_MTR135F	75	G,H,J	100	150	20	2400	2.10	135
NIN-HK820_MTR130F	82	G,H,J	100	150	20	2300	2.24	130
NIN-HK910_MTR125F	91	G,H,J	100	150	20	2100	2.38	125
NIN-HKR10_MTR120F	100	G,H,J	100	150	20	1500	2.52	120
NIN-HKR12_MTR110F	120	G,H,J	100	150	20	1000	2.66	110

Note: Extended values, tolerances, and enhanced versions are available please contact NIC for more details.



## NIN-HJ SERIES

## J-SIZE (0603)

## STANDARD VALUES

NIC P/N	INDUCTANCE VALUE (nH)	TOL.	FREQUENCY (MHz)		Q FACTOR	SRF (MHz) Minimum	Max. DC Resistance (ohms)	Rated DC Current (mA)
			L	Q				
NIN-HJ1N6_TR1150F	1.6	S,K	250	250	22	14000	0.035	1150
NIN-HJ1N7_TR1000F	1.7	C,S,D,J,K	250	250	16	14000	0.043	1000
NIN-HJ1N8_TR1000F	1.8	C,S,D,J,K	250	250	18	14000	0.043	1000
NIN-HJ2N2_TR700F	2.2	S,D,K	250	250	13	14000	0.150	700
NIN-HJ2N7_TR1000F	2.7	C,S,D,J,K	250	250	25	11000	0.043	1000
NIN-HJ3N3_TR850F	3.3	C,S,D,J,K	250	250	25	11000	0.059	850
NIN-HJ3N6_TR850F	3.6	C,S,D,J,K	250	250	25	10000	0.059	850
NIN-HJ3N9_TR850F	3.9	C,S,D,J,K	250	250	25	8600	0.059	850
NIN-HJ4N3_TR850F	4.3	C,S,D,J,K	250	250	25	7900	0.059	850
NIN-HJ4N7_TR800F	4.7	C,S,D,J,K	250	250	25	6100	0.065	800
NIN-HJ5N1_TR600F	5.1	C,S,D,J,K	250	250	21	6300	0.130	600
NIN-HJ6N2_TR700F	6.2	C,S,D,J,K	250	250	29	7900	0.095	700
NIN-HJ6N8_TR700F	6.8	G,H,J,K	250	250	29	7200	0.095	700
NIN-HJ7N5_TR700F	7.5	G,H,J,K	250	250	33	6200	0.095	700
NIN-HJ8N2_TR700F	8.2	G,H,J,K	250	250	31	6000	0.095	700
NIN-HJ8N7_TR700F	8.7	G,H,J,K	250	250	31	6000	0.095	700
NIN-HJ9N1_TR620F	9.1	G,H,J,K	250	250	30	6000	0.12	620
NIN-HJ9N5_TR540F	9.5	G,H,J,K	250	250	26	6000	0.16	540
NIN-HJ100_TR600F	10	G,H,J,K	250	250	30	6000	0.13	600
NIN-HJ110_TR600F	11	G,H,J,K	250	250	35	6000	0.13	600
NIN-HJ120_TR600F	12	G,H,J,K	250	250	35	6000	0.13	600
NIN-HJ130_TR600F	13	G,H,J,K	250	250	35	6000	0.13	600
NIN-HJ150_TR550F	15	G,H,J,K	250	250	37	6000	0.15	550
NIN-HJ160_TR550F	16	G,H,J,K	250	250	37	5500	0.15	550
NIN-HJ170_TR550F	17	G,H,J,K	250	250	37	5500	0.15	550
NIN-HJ180_TR550F	18	G,H,J,K	250	250	37	5500	0.15	550
NIN-HJ200_TR550F	20	G,H,J,K	250	250	37	4900	0.15	550
NIN-HJ220_TR490F	22	G,H,J,K	250	250	38	4600	0.19	490
NIN-HJ230_TR490F	23	G,H,J,K	250	250	40	3800	0.19	490
NIN-HJ240_TR490F	24	G,H,J,K	250	250	40	3800	0.19	490
NIN-HJ250_TR490F	25	G,H,J,K	250	250	40	3700	0.19	490
NIN-HJ270_TR490F	27	G,H,J,K	250	250	38	3700	0.19	490
NIN-HJ300_TR470F	30	G,H,J,K	250	250	38	3300	0.21	470
NIN-HJ330_TR470F	33	G,H,J,K	250	250	40	3200	0.21	470
NIN-HJ360_TR460F	36	G,H,J,K	250	250	40	2900	0.22	460
NIN-HJ390_TR460F	39	G,H,J,K	250	250	40	2800	0.22	460
NIN-HJ430_TR400F	43	G,H,J,K	250	250	40	2700	0.27	400
NIN-HJ470_TR400F	47	G,H,J,K	200	200	36	2600	0.27	400
NIN-HJ510_TR390F	51	G,H,J,K	200	200	35	2400	0.30	390
NIN-HJ560_TR360F	56	G,H,J,K	200	200	38	2400	0.35	360
NIN-HJ620_TR350F	62	G,H,J,K	200	200	36	2300	0.38	350
NIN-HJ680_TR350F	68	G,H,J,K	200	200	36	2200	0.38	350

Note: Extended values, tolerances, and enhanced versions are available please contact NIC for more details.



## NIN-HJ SERIES

## J-SIZE (0603)

## STANDARD VALUES

NIC P/N	INDUCTANCE VALUE (nH)	TOL.	FREQUENCY (MHz)		Q FACTOR	SRF (MHz) Minimum	Max. DC Resistance (ohms)	Rated DC Current (mA)
			L	Q				
NIN-HJ720_TR320F	72	G,H,J,K	150	150	34	2100	0.43	320
NIN-HJ820_TR300F	82	G,H,J,K	150	150	34	2000	0.50	300
NIN-HJ900_TR300F	90	G,H,J,K	150	150	34	1900	0.52	300
NIN-HJ910_TR300F	91	G,H,J,K	150	150	34	1900	0.52	300
NIN-HJR10_TR260F	100	G,H,J,K	150	150	31	1800	0.66	260
NIN-HJR11_TR250F	110	G,H,J,K	150	150	32	1700	0.73	250
NIN-HJR12_TR240F	120	G,H,J,K	150	150	32	1600	0.75	240
NIN-HJR13_TR240F	130	G,H,J,K	150	150	32	1500	0.75	240
NIN-HJR14_TR200F	140	G,H,J,K	150	150	32	1400	1.10	200
NIN-HJR15_TR200F	150	G,H,J,K	150	150	32	1400	1.12	200
NIN-HJR16_TR200F	160	G,H,J,K	150	150	32	1400	1.12	200
NIN-HJR18_TR180F	180	G,H,J,K	100	100	25	1300	1.38	180
NIN-HJR20_TR150F	200	G,H,J,K	100	100	25	1250	1.90	150
NIN-HJR21_TR150F	210	G,H,J,K	100	100	25	1250	1.90	150
NIN-HJR22_TR140F	220	G,H,J,K	100	100	25	1200	2.10	140
NIN-HJR24_TR120F	240	G,H,J,K	100	100	25	1100	2.75	120
NIN-HJR25_TR120F	250	G,H,J,K	100	100	25	1100	2.80	120
NIN-HJR27_TR120F	270	G,H,J,K	100	100	26	960	3.00	120
NIN-HJR30_TR110F	300	G,H,J,K	100	100	26	900	4.05	110
NIN-HJR33_TR100F	330	G,H,J,K	100	100	26	800	4.20	100
NIN-HJR39_TR100F	390	G,H,J,K	100	100	27	800	4.50	100
NIN-HJR42_TR90F	420	G,H,J,K	100	100	27	800	5.40	90
NIN-HJR47_TR90F	470	G,H,J,K	100	100	27	700	5.70	90
NIN-HJR56_TR70F	560	G,H,J,K	100	100	27	650	8.10	70

Note: Extended values, tolerances, and enhanced versions are available please contact NIC for more details.



## NIN-HJ SERIES

## J-SIZE (0603)

## "M" EXTENDED PERFORMANCE

NIC P/N	INDUCTANCE VALUE (nH)	TOL.	FREQUENCY (MHz)		Q FACTOR	SRF (MHz) Minimum	Max. DC Resistance (ohms)	Rated DC Current (mA)
			L	Q				
NIN-HJ2N2_MTR700F	2.2	C,D	100	250	16	6000	0.049	700
NIN-HJ2N2_MTR1400F	2.2	C,D	100	250	18	>6000	0.018	1400
NIN-HJ3N6_MTR850F	3.6	C,D	100	250	25	6000	0.059	850
NIN-HJ3N9_MTR850F	3.9	C,D	100	250	35	6000	0.059	850
NIN-HJ3N9_MTR1000F	3.9	C,D	100	250	38	>6000	0.032	1000
NIN-HJ4N3_MTR850F	4.3	C,D	100	250	35	6000	0.059	850
NIN-HJ4N5_MTR850F	4.5	C,D	100	250	35	6000	0.059	850
NIN-HJ4N7_MTR850F	4.7	C,D	100	250	35	6000	0.059	850
NIN-HJ5N6_MTR750F	5.6	C,D	100	250	35	6000	0.082	750
NIN-HJ5N6_MTR900F	5.6	C,D	100	250	38	>6000	0.045	900
NIN-HJ6N2_MTR750F	6.2	C,D	100	250	35	6000	0.082	750
NIN-HJ6N8_MTR750F	6.8	C,D	100	250	35	6000	0.082	750
NIN-HJ6N8_MTR900F	6.8	C,D	100	250	38	>6000	0.045	900
NIN-HJ7N5_MTR750F	7.5	C,D	100	250	35	6000	0.082	750
NIN-HJ8N2_MTR650F	8.2	C,D	100	250	35	6000	0.110	650
NIN-HJ8N2_MTR800F	8.2	S,D	100	250	38	>6000	0.058	800
NIN-HJ8N7_MTR650F	8.7	C,D	100	250	35	6000	0.110	650
NIN-HJ9N1_MTR650F	9.1	C,D	100	250	35	6000	0.110	650
NIN-HJ9N5_MTR650F	9.5	C,D	100	250	35	6000	0.110	650
NIN-HJ100_MTR650F	10	G,H,J	100	250	35	6000	0.110	650
NIN-HJ100_MTR800F	10	G,H,J	100	250	38	5000	0.070	800
NIN-HJ110_MTR650F	11	G,H,J	100	250	35	6000	0.110	650
NIN-HJ120_MTR600F	12	G,H,J	100	250	35	6000	0.130	600
NIN-HJ120_MTR750F	12	G,H,J	100	250	38	5000	0.071	750
NIN-HJ130_MTR600F	13	G,H,J	100	250	35	6000	0.130	600
NIN-HJ150_MTR600F	15	G,H,J	100	250	40	6000	0.130	600
NIN-HJ150_MTR700F	15	G,H,J	100	250	42	4500	0.085	700
NIN-HJ160_MTR550F	16	G,H,J	100	250	40	5500	0.160	550
NIN-HJ180_MTR550F	18	G,H,J	100	250	40	5500	0.160	550
NIN-HJ180_MTR700F	18	G,H,J	100	250	42	3500	0.085	700
NIN-HJ200_MTR550F	20	G,H,J	100	250	40	4900	0.160	550
NIN-HJ220_MTR500F	22	G,H,J	100	250	40	4600	0.170	500
NIN-HJ220_MTR640F	22	G,H,J	100	250	42	3200	0.099	640
NIN-HJ240_MTR500F	24	G,H,J	100	250	40	3800	0.210	500
NIN-HJ270_MTR440F	27	G,H,J	100	250	40	3700	0.210	440
NIN-HJ270_MTR590F	27	G,H,J	100	250	42	2800	0.116	590
NIN-HJ300_MTR420F	30	G,H,J	100	250	40	3300	0.230	420
NIN-HJ330_MTR420F	33	G,H,J	100	250	40	3200	0.230	420
NIN-HJ330_MTR550F	33	J	100	250	42	2500	0.132	550
NIN-HJ360_MTR400F	36	G,H,J	100	250	40	2900	0.260	400
NIN-HJ390_MTR400F	39	G,H,J	100	250	40	2800	0.260	400
NIN-HJ430_MTR380F	43	G,H,J	100	200	40	2700	0.290	380

Note: Extended values, tolerances, and enhanced versions are available please contact NIC for more details.





# Wirewound Chip Inductors

## NIN-HJ SERIES

## J-SIZE (0603)

## "M" EXTENDED PERFORMANCE

NIC P/N	INDUCTANCE VALUE (nH)	TOL.	FREQUENCY (MHz)		Q FACTOR	SRF (MHz) Minimum	Max. DC Resistance (ohms)	Rated DC Current (mA)
			L	Q				
NIN-HJ470_MTR380F	47	G,H,J	100	200	38	2600	0.29	380
NIN-HJ510_MTR370F	51	G,H,J	100	200	38	2500	0.33	370
NIN-HJ560_MTR360F	56	G,H,J	100	200	38	2400	0.35	360
NIN-HJ620_MTR280F	62	G,H,J	100	200	38	2300	0.51	280
NIN-HJ680_MTR340F	68	G,H,J	100	200	38	2200	0.38	340
NIN-HJ720_MTR270F	72	G,H,J	100	150	34	2100	0.56	270
NIN-HJ750_MTR270F	75	G,H,J	100	150	34	2050	0.56	270
NIN-HJ820_MTR250F	82	G,H,J	100	150	34	2000	0.6	250
NIN-HJ910_MTR230F	91	G,H,J	100	150	34	1900	0.64	230
NIN-HJR10_MTR220F	100	G,H,J	100	150	34	1800	0.68	220
NIN-HJR11_MTR200F	110	G,H,J	100	150	32	1700	1.2	200
NIN-HJR12_MTR180F	120	G,H,J	100	150	32	1600	1.3	180
NIN-HJR13_MTR170F	130	G,H,J	100	150	32	1450	1.4	170
NIN-HJR15_MTR160F	150	G,H,J	100	150	32	1400	1.5	160
NIN-HJR16_MTR150F	160	G,H,J	100	150	32	1350	2.1	150
NIN-HJR18_MTR140F	180	G,H,J	100	100	25	1300	2.2	140
NIN-HJR20_MTR120F	200	G,H,J	100	100	25	1250	2.4	120
NIN-HJR22_MTR120F	220	G,H,J	100	100	25	1200	2.5	120
NIN-HJR27_MTR110F	270	G,H,J	100	100	30	960	3.4	110
NIN-HJR33_MTR85F	330	G,H,J	100	100	30	800	5.5	85
NIN-HJR39_MTR80F	390	G,H,J	100	100	30	800	6.2	80
NIN-HJR47_MTR75F	470	G,H,J	100	100	30	700	7.0	75

Note: Extended values, tolerances, and enhanced versions are available please contact NIC for more details.



## NIN-HD SERIES

## D-SIZE (0805)

## STANDARD VALUES

NIC P/N	INDUCTANCE VALUE (nH)	TOL.	FREQUENCY (MHz)		Q FACTOR	SRF (MHz) Minimum	Max. DC Resistance (ohms)	Rated DC Current (mA)
			L	Q				
NIN-HD2N2_TR600F	2.2	G,H,J,K	250	1500	40	12200	0.10	600
NIN-HD3N3_TR600F	3.3	G,H,J,K	250	1500	25	12200	0.20	600
NIN-HD6N8_TR600F	6.8	G,H,J,K	250	1000	40	5000	0.11	600
NIN-HD8N2_TR600F	8.2	G,H,J,K	250	1000	40	4600	0.19	600
NIN-HD120_TR600F	12	G,H,J,K	250	500	40	4000	0.15	600
NIN-HD150_TR600F	15	G,H,J,K	250	500	40	2900	0.17	600
NIN-HD180_TR600F	18	G,H,J,K	250	500	50	3300	0.20	600
NIN-HD220_TR500F	22	G,H,J,K	250	500	55	2000	0.22	500
NIN-HD270_TR500F	27	G,H,J,K	250	500	55	2500	0.25	500
NIN-HD330_TR500F	33	G,H,J,K	250	500	60	2000	0.27	500
NIN-HD390_TR500F	39	G,H,J,K	250	500	60	2000	0.29	500
NIN-HD470_TR500F	47	G,H,J,K	200	500	50	1600	0.31	500
NIN-HD560_TR500F	56	G,H,J,K	200	500	55	1550	0.32	500
NIN-HD680_TR500F	68	G,H,J,K	200	500	55	1450	0.38	500
NIN-HD820_TR400F	82	G,H,J,K	150	500	50	1300	0.42	400
NIN-HDR10_TR400F	100	G,H,J,K	150	500	50	1200	0.46	400
NIN-HDR12_TR400F	120	G,H,J,K	150	250	50	1100	0.51	400
NIN-HDR15_TR400F	150	G,H,J,K	100	250	50	920	0.56	400
NIN-HDR18_TR400F	180	G,H,J,K	100	250	50	870	0.64	400
NIN-HDR22_TR400F	220	G,H,J,K	100	250	45	850	1.10	400
NIN-HDR27_TR350F	270	G,H,J,K	100	250	38	650	1.00	350
NIN-HDR33_TR310F	330	G,H,J,K	100	250	40	600	1.40	310
NIN-HDR39_TR290F	390	G,H,J,K	100	250	35	560	1.50	290
NIN-HDR47_TR250F	470	G,H,J,K	50	100	33	375	1.72	250
NIN-HDR56_TR230F	560	G,H,J,K	25	50	23	320	1.90	230
NIN-HDR62_TR200F	620	G,H,J,K	25	50	23	280	1.95	200
NIN-HDR68_TR190F	680	G,H,J,K	25	50	23	270	2.05	190
NIN-HDR75_TR180F	750	G,H,J,K	25	50	23	240	2.10	180
NIN-HDR82_TR180F	820	G,H,J,K	25	50	23	250	2.30	180
NIN-HDR91_TR160F	910	G,H,J,K	25	50	22	230	2.40	160
NIN-HD1R0_TR150F	1000	G,H,J,K	25	50	20	200	2.50	150

Note: Extended values, tolerances, and enhanced versions are available please contact NIC for more details.



**NIN-HC SERIES** **C-SIZE (1008)** **STANDARD VALUES**

NIC P/N	INDUCTANCE VALUE (nH)	TOL.	FREQUENCY (MHz)		Q FACTOR	SRF (MHz) Minimum	Max. DC Resistance (ohms)	Rated DC Current (mA)
			L	Q				
NIN-HC4N7_TR1000F	4.7	G,H,J,K	50	1500	50	7900	0.11	1000
NIN-HC100_TR1000F	10	G,H,J,K	50	500	50	4100	0.08	1000
NIN-HC120_TR1000F	12	G,H,J,K	50	500	50	3300	0.09	1000
NIN-HC150_TR1000F	15	G,H,J,K	50	500	50	2500	0.13	1000
NIN-HC180_TR1000F	18	G,H,J,K	50	350	50	2500	0.11	1000
NIN-HC220_TR1000F	22	G,H,J,K	50	350	55	2400	0.12	1000
NIN-HC270_TR1000F	27	G,H,J,K	50	350	55	1600	0.13	1000
NIN-HC330_TR1000F	33	G,H,J,K	50	350	60	1600	0.14	1000
NIN-HC390_TR1000F	39	G,H,J,K	50	350	50	1500	0.15	1000
NIN-HC470_TR1000F	47	G,H,J,K	50	350	65	1500	0.16	1000
NIN-HC560_TR1000F	56	G,H,J,K	50	350	50	1300	0.18	1000
NIN-HC680_TR1000F	68	G,H,J,K	50	350	65	1200	0.21	1000
NIN-HC820_TR1000F	82	G,H,J,K	50	350	60	800	0.22	1000
NIN-HCR10_TR650F	100	G,H,J,K	25	350	60	1000	0.56	650
NIN-HCR12_TR650F	120	G,H,J,K	25	350	60	950	0.63	650
NIN-HCR15_TR580F	150	G,H,J,K	25	100	50	800	0.62	580
NIN-HCR18_TR620F	180	G,H,J,K	25	100	50	750	0.70	620
NIN-HCR22_TR500F	220	G,H,J,K	25	100	50	630	0.80	500
NIN-HCR27_TR500F	270	G,H,J,K	25	100	50	600	0.91	500
NIN-HCR33_TR450F	330	G,H,J,K	25	100	50	530	1.05	450
NIN-HCR39_TR470F	390	G,H,J,K	25	100	50	480	1.12	470
NIN-HCR47_TR470F	470	G,H,J,K	25	100	50	450	1.19	470
NIN-HCR56_TR400F	560	G,H,J,K	25	100	50	390	1.33	400
NIN-HCR62_TR300F	620	G,H,J,K	25	100	45	375	1.40	300
NIN-HCR68_TR400F	680	G,H,J,K	25	100	45	360	1.47	400
NIN-HCR75_TR360F	750	G,H,J,K	25	100	45	360	1.54	360
NIN-HCR82_TR400F	820	G,H,J,K	25	100	45	330	1.61	400
NIN-HCR91_TR380F	910	G,H,J,K	25	50	35	295	1.68	380
NIN-HC1R0_TR370F	1000	G,H,J,K	25	50	35	270	1.80	370
NIN-HC1R2_TR310F	1200	G,H,J,K	7.9	50	35	200	2.0	310
NIN-HC1R5_TR330F	1500	G,H,J,K	7.9	50	28	150	2.3	330
NIN-HC1R8_TR300F	1800	G,H,J,K	7.9	50	28	120	2.6	300
NIN-HC2R2_TR280F	2200	G,H,J,K	7.9	50	28	100	2.8	280
NIN-HC2R7_TR290F	2700	G,H,J,K	7.9	25	22	90	3.2	290
NIN-HC3R3_TR290F	3300	G,H,J,K	7.9	25	22	70	3.4	290
NIN-HC3R9_TR260F	3900	G,H,J,K	7.9	25	17	60	3.6	260
NIN-HC4R7_TR260F	4700	G,H,J,K	7.9	25	20	50	4.0	260
NIN-HC5R6_TR240F	5600	G,H,J,K	7.9	25	20	40	5.7	240
NIN-HC6R8_TR200F	6800	G,H,J,K	7.9	25	20	40	7.7	200
NIN-HC8R2_TR150F	8200	G,H,J,K	7.9	25	20	30	10.7	150

Note: Extended values, tolerances, and enhanced versions are available please contact NIC for more details.



## NIN-HE SERIES

## E-SIZE (1206)

## STANDARD VALUES

NIC P/N	INDUCTANCE VALUE (nH)	INDUCTANCE TOLERANCE	FREQUENCY L/Q(MHz)	Q FACTOR	SRF (MHz) Minimum	Max. DC Resistance (ohms)	Rated DC Current (mA)
NIN-HE3N3_TR1000F	3.3	G, J, K	100/300	20@300MHz	6200	0.07	1000
NIN-HE6N8_TR1000F	6.8	G, J, K	100/300	30@300MHz	5500	0.07	1000
NIN-HE100_TR1000F	10	G, J, K	100/300	40@300MHz	4000	0.09	1000
NIN-HE120_TR1000F	12	G, J, K	100/300	40@300MHz	3200	0.09	1000
NIN-HE150_TR1000F	15	G, J, K	100/300	40@300MHz	3200	0.12	1000
NIN-HE180_TR1000F	18	G, J, K	100/300	45@300MHz	2800	0.12	1000
NIN-HE220_TR1000F	22	G, J, K	100/300	50@300MHz	2200	0.12	1000
NIN-HE270_TR1000F	27	G, J, K	100/300	50@300MHz	1800	0.12	1000
NIN-HE330_TR1000F	33	G, J, K	100/300	50@300MHz	1800	0.12	1000
NIN-HE390_TR1000F	39	G, J, K	100/300	50@300MHz	1800	0.12	1000
NIN-HE470_TR1000F	47	G, J, K	100/300	50@300MHz	1500	0.13	1000
NIN-HE560_TR1000F	56	G, J, K	100/300	55@300MHz	1450	0.14	1000
NIN-HE680_TR900F	68	G, J, K	100/300	55@300MHz	1200	0.26	900
NIN-HE820_TR900F	82	G, J, K	100/300	55@300MHz	1200	0.21	900
NIN-HER10_TR850F	100	G, J, K	100/300	55@300MHz	1100	0.30	850
NIN-HER12_TR800F	120	G, J, K	100/300	60@300MHz	1100	0.30	800
NIN-HER15_TR750F	150	G, J, K	100/300	55@300MHz	950	0.31	750
NIN-HER18_TR700F	180	G, J, K	50/300	60@300MHz	900	0.43	700
NIN-HER22_TR670F	220	G, J, K	50/300	60@300MHz	760	0.56	670
NIN-HER27_TR630F	270	G, J, K	50/300	50@300MHz	730	0.56	630
NIN-HER33_TR590F	330	G, J, K	50/150	45@150MHz	650	0.70	590
NIN-HER39_TR530F	390	G, J, K	50/150	45@150MHz	600	0.80	530
NIN-HER47_TR490F	470	G, J, K	50/150	45@150MHz	550	1.30	490
NIN-HER56_TR460F	560	G, J, K	35/150	45@150MHz	470	1.34	460
NIN-HER68_TR430F	680	G, J, K	35/150	45@150MHz	450	1.58	430
NIN-HER82_TR400F	820	G, J, K	35/150	45@150MHz	420	1.82	400
NIN-HE1R0_TR320F	1000	G, J, K	35/150	45@150MHz	400	2.80	320
NIN-HE1R2_TR300F	1200	G, J, K	35/150	45@150MHz	380	3.20	300

Note: Extended values, tolerances, and enhanced versions are available please contact NIC for more details.

## NIN-HA SERIES

## A-SIZE (1210)

## STANDARD VALUES

NIC P/N	INDUCTANCE VALUE (nH)	INDUCTANCE TOLERANCE	FREQUENCY L/Q(MHz)	Q FACTOR	SRF (MHz) Minimum	Max. DC Resistance (ohms)	Rated DC Current (mA)
NIN-HA3N9_TR1000F	3.9	G, J, K	100/300	30@300MHz	6000	0.050	1000
NIN-HA4N7_TR1000F	4.7	G, J, K	100/300	30@300MHz	5800	0.065	1000
NIN-HA8N2_TR1000F	8.2	G, J, K	100/300	30@300MHz	5500	0.07	1000
NIN-HA100_TR1000F	10	G, J, K	100/300	40@300MHz	4000	0.08	1000
NIN-HA120_TR1000F	12	G, J, K	100/300	40@300MHz	3200	0.08	1000
NIN-HA150_TR1000F	15	G, J, K	100/300	40@300MHz	3200	0.10	1000
NIN-HA180_TR1000F	18	G, J, K	100/300	50@300MHz	2800	0.10	1000
NIN-HA220_TR1000F	22	G, J, K	100/300	50@300MHz	2200	0.10	1000
NIN-HA270_TR1000F	27	G, J, K	100/300	50@300MHz	1800	0.11	1000
NIN-HA330_TR1000F	33	G, J, K	100/300	55@300MHz	1800	0.11	1000
NIN-HA390_TR1000F	39	G, J, K	100/300	55@300MHz	1500	0.12	1000
NIN-HA430_TR1000F	43	G, J, K	100/300	55@300MHz	1500	0.12	1000
NIN-HA470_TR1000F	47	G, J, K	100/300	55@300MHz	1500	0.13	1000
NIN-HA560_TR1000F	56	G, J, K	100/300	55@300MHz	1450	0.14	1000
NIN-HA680_TR900F	68	G, J, K	100/300	55@300MHz	1200	0.15	900
NIN-HA820_TR900F	82	G, J, K	100/300	55@300MHz	1000	0.20	900
NIN-HAR10_TR850F	100	G, J, K	100/300	55@300MHz	900	0.20	850
NIN-HAR12_TR800F	120	G, J, K	100/300	60@300MHz	800	0.25	800
NIN-HAR15_TR750F	150	G, J, K	100/300	60@300MHz	700	0.25	750
NIN-HAR18_TR700F	180	G, J, K	50/300	60@300MHz	650	0.30	700
NIN-HAR22_TR770F	220	G, J, K	50/300	60@300MHz	650	0.40	770
NIN-HAR27_TR630F	270	G, J, K	50/300	40@300MHz	580	0.40	630
NIN-HAR33_TR590F	330	G, J, K	50/150	45@150MHz	580	0.58	590
NIN-HAR39_TR530F	390	G, J, K	50/150	45@150MHz	510	0.58	530
NIN-HAR47_TR490F	470	G, J, K	50/150	45@150MHz	480	0.80	490
NIN-HAR56_TR460F	560	G, J, K	35/150	45@150MHz	420	1.10	460
NIN-HAR68_TR430F	680	G, J, K	35/150	45@150MHz	400	1.20	430
NIN-HAR82_TR400F	820	G, J, K	35/150	45@150MHz	370	1.82	400
NIN-HA1R0_TR320F	1000	G, J, K	35/150	45@150MHz	340	1.85	320
NIN-HA1R2_TR300F	1200	G, J, K	35/150	35@150MHz	220	1.87	300
NIN-HA1R5_TR310F	1500	G, J, K	7.9/50	20@50MHz	160	1.95	310
NIN-HA1R8_TR310F	1800	G, J, K	7.9/50	30@50MHz	160	2.25	310
NIN-HA2R2_TR310F	2200	G, J, K	7.9/50	25@50MHz	130	2.41	310
NIN-HA2R7_TR300F	2700	G, J, K	7.9/50	25@50MHz	110	2.85	300
NIN-HA3R0_TR300F	3000	G, J, K	7.9/25	20@25MHz	110	3.12	300
NIN-HA3R9_TR290F	3900	G, J, K	7.9/25	20@25MHz	60	3.60	290
NIN-HA4R7_TR280F	4700	G, J, K	7.9/25	20@25MHz	60	4.00	280
NIN-HA5R6_TR250F	5600	G, J, K	7.9/25	15@25MHz	50	5.00	250
NIN-HA6R8_TR230F	6800	G, J, K	7.9	15@7.9MHz	40	8.00	230
NIN-HA8R6_TR200F	8600	G, J, K	7.9	15@7.9MHz	40	9.00	200

Note: Extended values, tolerances, and enhanced versions are available please contact NIC for more details.



**NIN-HB SERIES** **D-SIZE (1812)** **STANDARD VALUES**

NIC P/N	INDUCTANCE VALUE (μH)	INDUCTANCE TOLERANCE	FREQUENCY L/Q(MHz)	Q FACTOR	SRF (MHz) Minimum	Max. DC Resistance (ohms)	Rated DC Current (mA)
NIN-HB1R0_TR480F	1.0	G, J, K	7.9/50	60@50MHz	250	1.2	480
NIN-HB1R2_TR480F	1.2	G, J, K	7.9/50	60@50MHz	230	1.2	480
NIN-HB1R5_TR430F	1.5	G, J, K	7.9/50	60@50MHz	210	1.6	430
NIN-HB1R8_TR380F	1.8	G, J, K	7.9/50	55@50MHz	150	2.0	380
NIN-HB2R2_TR340F	2.2	G, J, K	7.9/50	55@50MHz	150	2.2	340
NIN-HB2R7_TR300F	2.7	G, J, K	7.9/50	55@50MHz	150	3.2	300
NIN-HB3R3_TR270F	3.3	G, J, K	7.9/50	55@50MHz	130	3.8	270
NIN-HB3R9_TR240F	3.9	G, J, K	7.9/50	55@50MHz	120	5.0	240
NIN-HB4R7_TR230F	4.7	G, J, K	7.9/50	55@50MHz	90	5.4	230
NIN-HB5R6_TR220F	5.6	G, J, K	7.9/50	45@50MHz	90	5.7	220
NIN-HB6R8_TR210F	6.8	G, J, K	7.9/50	30@50MHz	80	6.6	210
NIN-HB8R2_TR200F	8.2	G, J, K	7.9/50	20@50MHz	70	7.0	200
NIN-HB100_TR190F	10	G, J, K	7.9/50	15@50MHz	60	7.7	190
NIN-HB120_TR180F	12	G, J, K	2.5/10	30@10MHz	50	8.7	180
NIN-HB150_TR170F	15	G, J, K	2.5/10	30@10MHz	30	9.6	170
NIN-HB180_TR160F	18	G, J, K	2.5/10	25@10MHz	30	10.5	160
NIN-HB220_TR155F	22	G, J, K	2.5/10	25@10MHz	20	11.5	155
NIN-HB270_TR150F	27	G, J, K	2.5/10	25@10MHz	20	12.5	150
NIN-HB330_TR145F	33	G, J, K	2.5/10	10@10MHz	10	13.5	145

Note: Extended values, tolerances, and enhanced versions are available please contact NIC for more details.



**NIN-H Legacy Part Numbers - The following parts are supported but not recommended for new designs**

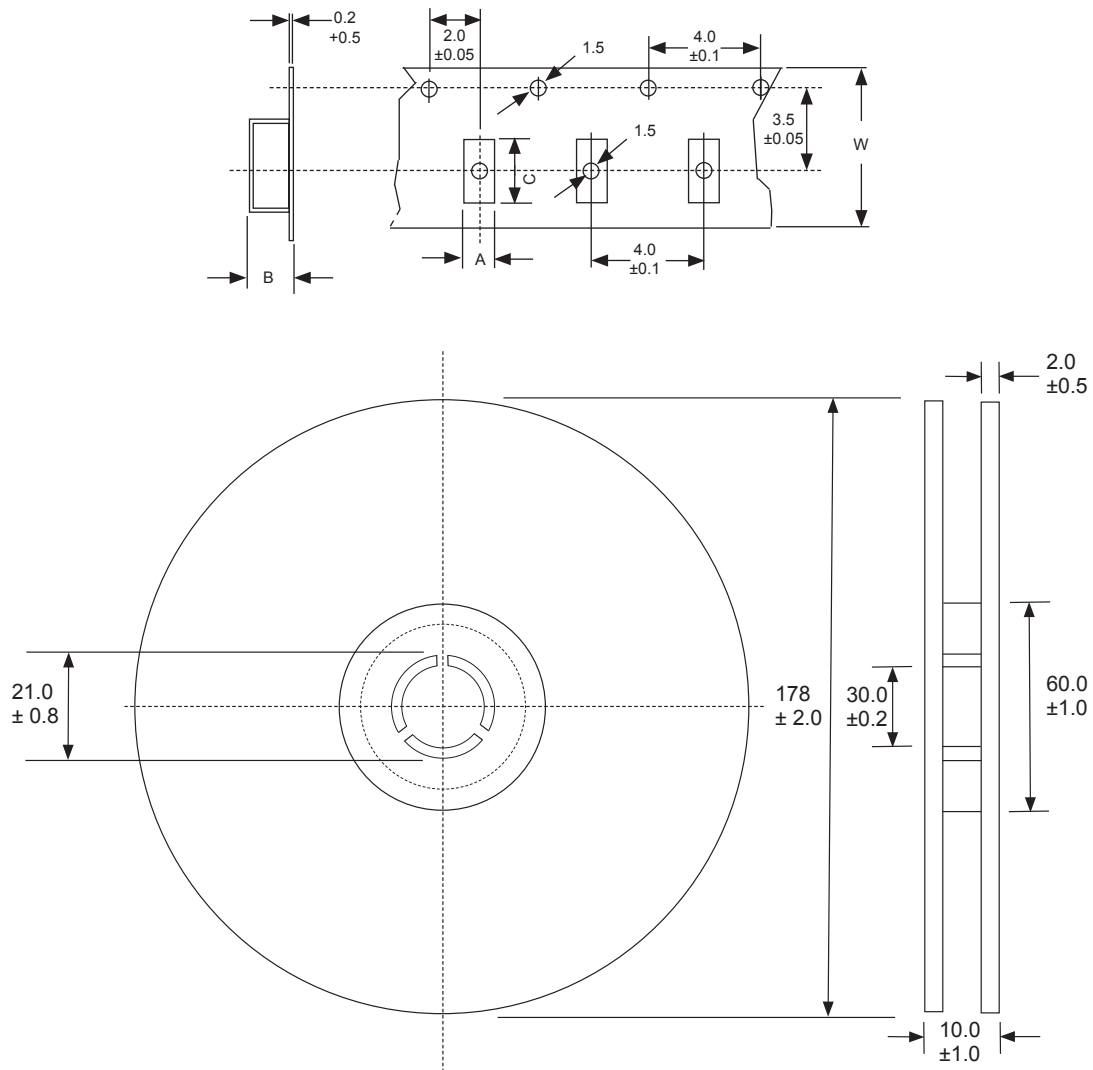
Size	NIC P/N	INDUCTANCE VALUE (nH)	TOL.	FREQUENCY (MHz)		Q FACTOR	SRF (MHz) Minimum	Max. DC Resistance (ohms)	Rated DC Current (mA)
				L	Q				
K-SIZE (0402)	NIN-HK2N0STRF	2	S	250	250	19	7000	0.084	1040
	NIN-HK2N7STRF	2.7	S	250	250	19	7000	0.095	840
	NIN-HK5N6JTRF	5.6	J	250	250	20	4700	0.099	760
	NIN-HK6N8JTRF	6.8	J	250	250	20	4800	0.099	680
	NIN-HK150JTRF	15	J	250	250	24	3300	0.204	560
	NIN-HK220JTRF	22	J	250	250	24	2800	0.36	400
	NIN-HK680JTRF	68	J	200	250	22	1600	0.912	150
J-SIZE (0603)	NIN-HJ150_TRF	15	G,J,K,M	250	250	30	4000	0.19	700
	NIN-HJ180_TRF	18	G,J,K,M	250	250	30	3100	0.20	700
	NIN-HJ270_TRF	27	G,J,K,M	250	250	35	2800	0.20	600
	NIN-HJ330_TRF	33	G,J,K,M	250	250	35	2300	0.22	600
	NIN-HJ390_TRF	39	G,J,K,M	250	250	35	2200	0.25	600
	NIN-HJ560_TRF	56	G,J,K,M	200	250	35	1900	0.38	600
	NIN-HJ680_TRF	68	G,J,K,M	200	250	35	1700	0.46	600
	NIN-HJ820_TRF	82	G,J,K,M	150	250	34	1700	0.46	400
	NIN-HJR12_TRF	120	G,J,K,M	150	250	32	1300	0.82	300
	NIN-HJR15_TRF	150	G,J,K,M	150	150	28	990	1.0	280
	NIN-HJR18_TRF	180	G,J,K,M	100	100	25	990	1.2	240
	NIN-HJR22_TRF	220	G,J,K,M	100	100	25	990	2.0	200
D-SIZE (0805)	NIN-HD330_TRF	33	G,J,K,M	250	500	60	2050	0.27	500
	NIN-HD560_TRF	56	G,J,K,M	200	500	60	1550	0.34	500
	NIN-HDR10_TRF	100	G,J,K,M	150	500	60	1200	0.46	400
	NIN-HDR15_TRF	150	G,J,K,M	100	250	50	920	0.56	400
	NIN-HDR22_TRF	220	G,J,K,M	100	250	45	850	0.7	400
	NIN-HDR33_TRF	330	G,J,K,M	100	250	40	600	1.5	310
	NIN-HDR47_TRF	470	G,J,K,M	50	100	33	375	1.76	250
	NIN-HDR68_TRF	680	G,J,K,M	25	50	23	188	2.2	190
NIN-HDR82_TRF	820	G,J,K,M	25	50	23	215	2.35	180	
C-SIZE (1008)	NIN-HC120_TRF	12	J,K,M	50	500	50	3300	0.09	1000
	NIN-HC330_TRF	33	G,J,K,M	50	350	60	1600	0.14	1000
	NIN-HC390_TRF	39	G,J,K,M	50	350	60	1500	0.15	1000
	NIN-HC470_TRF	47	G,J,K,M	50	350	65	1500	0.16	1000
	NIN-HC680_TRF	68	G,J,K	50	350	65	1300	0.20	1000
	NIN-HC820_TRF	82	G,J,K	50	350	60	1000	0.22	1000
	NIN-HCR12_TRF	120	G,J,K	25	350	60	950	0.63	650
	NIN-HCR15_TRF	150	G,J,K	25	100	45	850	0.70	580
	NIN-HCR18_TRF	180	G,J,K	25	100	45	750	0.77	620
	NIN-HCR22_TRF	220	G,J,K	25	100	45	700	0.84	500
	NIN-HCR27_TRF	270	G,J,K	25	100	45	600	0.91	500
	NIN-HCR33_TRF	330	G,J,K	25	100	45	570	1.05	450
	NIN-HCR39_TRF	390	G,J,K	25	100	45	500	1.12	470
	NIN-HCR47_TRF	470	G,J,K	25	100	45	450	1.19	470
	NIN-HCR56_TRF	560	G,J,K	25	100	45	415	1.33	400
	NIN-HCR68_TRF	680	G,J,K	25	100	45	375	1.47	400
	NIN-HC1R0_TRF	1000	G,J,K	25	50	35	290	1.75	330
	NIN-HC1R2_TRF	1200	G,J,K	7.9	50	35	250	2	280
NIN-HC1R8_TRF	1800	G,J,K	7.9	50	28	160	2.6	270	
NIN-HC4R7_TRF	4700	G,J,K	7.9	25	18	90	6.3	230	

**nc**® Note: The part numbers identified in the table above are continued support for ongoing business on legacy part numbers and no longer available for new designs. For further details please contact NIC Components

## TAPE AND REEL DIMENSIONS (mm):

TYPE	A	B	C	W	Carrier Type	QTY/REEL
NIN-HK	0.67 ±0.05	0.66 ±0.05	1.20 ±0.05	8.0 ± 0.2	Punched	3,000
NIN-HJ	1.25 ±0.1	1.05 ±0.1	1.80 ±0.1	8.0 ± 0.2	Embossed	3,000
NIN-HD	1.60 ±0.1	1.25 ±0.1	2.50 ±0.1	8.0 ± 0.2	Embossed	2,000
NIN-HC	2.35 ±0.1	2.10 ±0.1	2.85 ±0.1	8.0 ± 0.2	Embossed	2,000
NIN-HE	2.40 ±0.1	1.90 max.	3.80 ±0.1	8.0 ± 0.2	Embossed	2,000
NIN-HA	2.96 ±0.1	2.80 max.	3.60 ±0.1	8.0 ± 0.2	Embossed	1,000
NIN-HB	3.61 ±0.1	3.81 max.	4.90 ±0.1	12.0 ± 0.2	Embossed	500

## EMBOSSED PLASTIC CARRIER DIMENSIONS (mm)





## X-ON Electronics

Largest Supplier of Electrical and Electronic Components

*Click to view similar products for [nic manufacturer](#):*

Other Similar products are found below :

[NMC0603NPO0R6B50TRPF](#) [NMC0603NPO270J100TRPF](#) [NMC1206X5R226K6.3TRPLP2KF](#) [NRE-S100M25V4X7F](#) [NRE-  
HS102M25V12.5X16F](#) [NRCA12F1001TRQYF](#) [NRC-S06F2212TRF](#) [NCD180J1KVNPOJTRF](#) [NRC-S06F1692TRF](#)  
[NCD102M1KVZ5U.250STRF](#) [NTC-T105K20TRAF](#) [NMC-P1206X7R104K100TRPF](#) [NMC-H1206NPO471K1KVTRPLPF](#) [NML04J9N1TRF](#)  
[NRSNA4I4J150TR40KF](#) [NCC0805F261HTRF](#) [NRWA470M35V6.3X11TBF](#) [NACE221M16V6.3X8TR13F](#) [NRSS332M50V18X35.5F](#)  
[NDTM106K25F1TRF](#) [NACZ221M50V10X10.5TR13F](#) [NCM15X7R103K50F](#) [NCD103M1KVZ5UF](#) [NRSS682M25V18X35.5F](#)  
[NEXC224Z5.5V10.5X8.5TRF](#) [NRLRW221M450V30X35SF](#) [NDTM225K50F2TRF](#) [NRSZ471M50V12.5X20F](#) [NTCL106K35TRDF](#)  
[NRWA331M25V10X12.5F](#) [NRSY472M25V16X31.5F](#) [NEXS105Z5.5V28.5X14F](#) [NRLR181M400V25X30SF](#) [NRSZ102M25V12.5X20F](#)  
[NUVA33T385TRF](#) [NUVA33V405TRF](#) [NRLMW331M250V30X25F](#) [NRLF103M25V35X20F](#) [NDTM106K35F](#) [NRLMW102M200V35X35F](#)  
[NPIS43LS220MTRF](#) [NDTM476K35F2F](#) [NTC-T475K50TRDF](#) [NCD222M1KVZ5UKF](#) [NRLR472M63V25X40SF](#) [NTP157M10TRD\(40\)F](#)  
[NPIM74C3R3MTRF](#) [NPI104C100MTRF](#) [NRLM102M100V25X25F](#) [NRLM223M50V 35X50F](#)