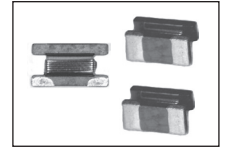


FEATURES

- SMALL SIZE AND SURFACE MOUNTABLE
- HIGH CURRENT AND LOW DC RESISTANCE CHARACTERISTICS
- BOTH FLOW AND REFLOW SOLDERING APPLICABLE
- HIGH INDUCTANCE AVAILABLE IN SMALL SIZE
- EMBOSSED PLASTIC TAPE PACKAGE FOR AUTOMATIC PICK-PLACE

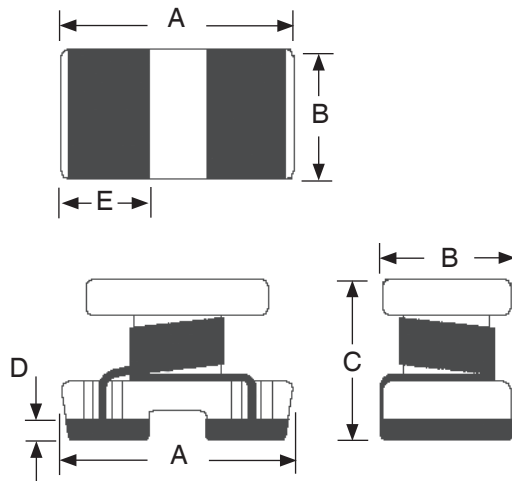
RoHS Compliant
includes all homogeneous materials

*See Part Number System for Details

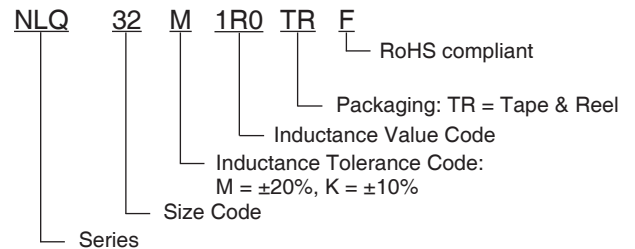


Specifications	NLQ32	NLQ35	NLQ45
	1206	1210	1812
Inductance Range	0.12 μ H ~ 100 μ H	0.15H ~ 560 μ H	1.0 μ H ~ 470 μ H
Temperature Range (Including Self-Heating)	-25°C ~ +125°C		
Temperature Rise at Irms	40°C max.		
Inductance Change at Irms	-10% typical		
Inductance Tolerance	10% (K) 20% (M)	10% (K) 20% (M)	10% (K) 20% (M)
Resistance to Solder Heat	260°C for 5 seconds		

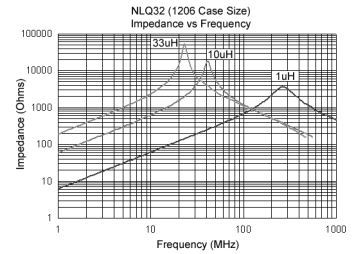
Series	Case Size	A	B	C	D	E
NLQ32	1206	3.20 ± 0.3	1.60 ± 0.3	1.80 ± 0.3	0.15 min.	1.15 ± 0.2
NLQ35	1210	3.20 ± 0.3	2.50 ± 0.3	2.20 ± 0.3	0.15 min.	1.15 ± 0.2
NLQ45	1812	4.50 ± 0.3	3.20 ± 0.3	2.60 ± 0.5	0.15 typ.	1.75 min.



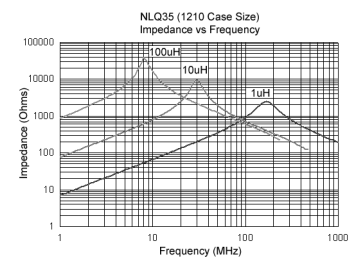
PART NUMBER SYSTEM



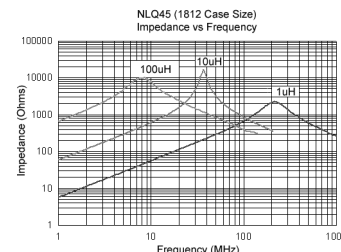
Part Number	STANDARD VALUES - CASE SIZE 32 (3.2 x 1.6 x 1.8mm)				
	Inductance Value (μH)	DC Resistance (Ω)	I _{rms} (mA)	SRF (MHz) min.	Test Frequency
NLQ32MR12TRF	0.12 ± 20%	0.112	970	250	1MHz
NLQ32MR22TRF	0.22 ± 20%	0.140	850	250	
NLQ32MR47TRF	0.47 ± 20%	0.210	700	180	
NLQ32M1R0TRF	1.0 ± 20%	0.364	510	100	
NLQ32M2R2TRF	2.2 ± 20%	0.533	430	50	
NLQ32M4R7TRF	4.7 ± 20%	0.845	340	31	
NLQ32K100TRF	10 ± 10%	1.690	230	20	
NLQ32K220TRF	22 ± 10%	3.900	160	14	
NLQ32K470TRF	47 ± 10%	10.40	100	10	
NLQ32K101TRF	100 ± 10%	15.60	80	7	



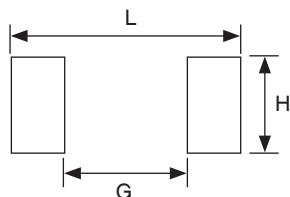
Part Number	STANDARD VALUES - CASE SIZE 35 (3.2 x 2.5 x 2.2mm)				
	Inductance Value (μH)	DC Resistance (Ω)	I _{rms} (mA)	SRF (MHz) min.	Test Frequency
NLQ35MR15TRF	0.15 ± 20%	0.028	1450	400	1MHz
NLQ35MR27TRF	0.27 ± 20%	0.034	1250	250	
NLQ35MR47TRF	0.47 ± 20%	0.042	1100	150	
NLQ35M1R0TRF	1.0 ± 20%	0.117	800	96	
NLQ35M2R2TRF	2.2 ± 20%	0.169	600	64	
NLQ35M4R7TRF	4.7 ± 20%	0.260	450	43	
NLQ35K100TRF	10 ± 10%	0.572	300	26	
NLQ35K180TRF	18 ± 10%	0.852	270	20	
NLQ35K220TRF	22 ± 10%	0.923	250	19	
NLQ35K330TRF	33 ± 10%	1.235	220	14	
NLQ35K470TRF	47 ± 10%	1.690	170	15	
NLQ35K101TRF	100 ± 10%	4.550	100	10	
NLQ35K221TRF	220 ± 10%	10.92	70	6.8	
NLQ35K271TRF	270 ± 10%	11.85	66	4.5	
NLQ35K331TRF	330 ± 10%	13.00	60	5.6	
NLQ35K391TRF	390 ± 10%	22.10	60	5	1KHz
NLQ35K471TRF	470 ± 10%	24.70	60	5	
NLQ35K561TRF	560 ± 10%	28.60	60	5	



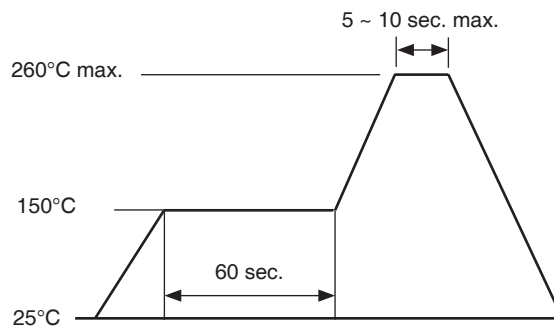
Part Number	STANDARD VALUES - CASE SIZE 45 (4.5 x 3.2 x 2.6mm)				Test Frequency
	Inductance Value (μH)	DC Resistance (Ω)	I _{rms} (mA)	SRF (MHz) min.	
NLQ45M1R0TRF	1.0 ± 20%	0.08	1080	100	1MHz
NLQ45M1R5TRF	1.5 ± 20%	0.09	1000	85	
NLQ45M2R2TRF	2.2 ± 20%	0.11	900	60	
NLQ45M3R3TRF	3.3 ± 20%	0.14	800	47	
NLQ45M4R7TRF	4.7 ± 20%	0.15	750	43	
NLQ45M6R8TRF	6.8 ± 20%	0.20	720	30	
NLQ45K100TRF	10 ± 10%	0.24	650	23	
NLQ45K150TRF	15 ± 10%	0.32	570	20	
NLQ45K220TRF	22 ± 10%	0.60	420	15	
NLQ45K330TRF	33 ± 10%	1.00	310	12	
NLQ45K470TRF	47 ± 10%	1.10	280	10	
NLQ45K680TRF	68 ± 10%	1.70	220	8.4	
NLQ45K101TRF	100 ± 10%	2.20	190	6.8	
NLQ45K151TRF	150 ± 10%	3.50	130	5.5	
NLQ45K221TRF	220 ± 10%	4.00	110	4.5	
NLQ45K331TRF	330 ± 10%	6.80	100	3.6	
NLQ45K471TRF	470 ± 10%	8.50	90	3.0	
					1KHz



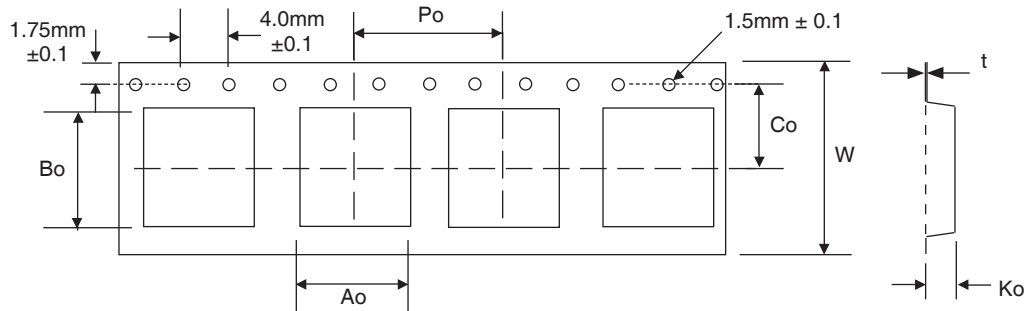
Case Size	LAND PATTERN DIMENSIONS (mm)		
	L	G	H
NLQ32	3.2	1.0	1.6
NLQ35	3.2	1.0	2.5
NLQ45	4.5	1.5	3.2



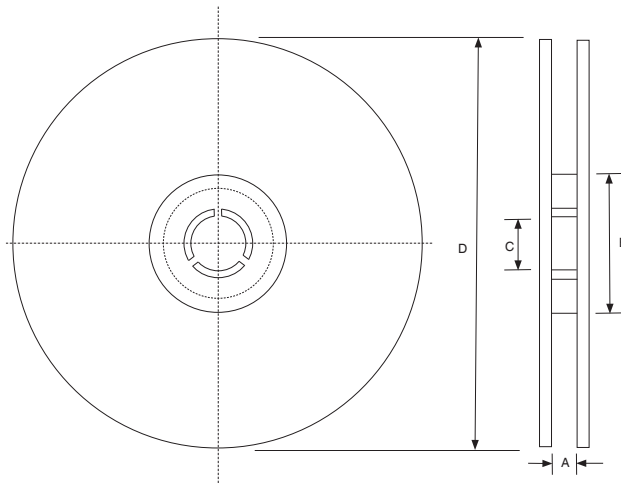
REFLOW SOLDERING PROFILE



Case Size	Reel Qty	CARRIER TAPE DIMENSIONS (mm)						
		W	A0	B0	Co	K0	Po	t
NLQ32	2,000	8.0	2.40 ± 0.1	3.50 ± 0.1	3.50 ± 0.05	2.55 ± 0.1	4.0 ± 0.1	0.26 ± 0.05
NLQ35	2,000		2.67 ± 0.1	3.65 ± 0.1		2.50 ± 0.1		
NLQ45	500	12.0	3.50 ± 0.1	4.98 ± 0.1	5.5 ± 0.05	3.05 ± 0.1	8.0 ± 0.1	



Tape Width	REEL DIMENSIONS (mm)			
	A(mm)	B(mm)	C(mm)	D(mm)
8mm	8.5 ±0.1	100 ±1	13.0 ±0.5	330
12mm	12.5 ±0.1			



X-ON Electronics

Largest Supplier of Electrical and Electronic Components

Click to view similar products for [Fixed Inductors](#) category:

Click to view products by [NIC](#) manufacturer:

Other Similar products are found below :

[MLZ1608M6R8WTD25](#) [MLZ1608N6R8LT000](#) [MLZ1608N3R3LTD25](#) [MLZ1608N3R3LT000](#) [MLZ1608N150LT000](#)

[MLZ1608M150WTD25](#) [MLZ1608M3R3WTD25](#) [MLZ1608M3R3WT000](#) [MLZ1608M150WT000](#) [MLZ1608A1R5WT000](#)

[MLZ1608N1R5LT000](#) [B82432C1333K000](#) [PCMB053T-1R0MS](#) [PCMB053T-1R5MS](#) [PCMB104T-1R5MS](#) [CR32NP-100KC](#) [CR32NP-](#)

[151KC](#) [CR32NP-180KC](#) [CR32NP-181KC](#) [CR32NP-1R5MC](#) [CR32NP-390KC](#) [CR32NP-3R9MC](#) [CR32NP-680KC](#) [CR32NP-820KC](#)

[CR32NP-8R2MC](#) [CR43NP-390KC](#) [CR43NP-560KC](#) [CR43NP-680KC](#) [CR54NP-181KC](#) [CR54NP-470LC](#) [CR54NP-820KC](#) [CR54NP-8R5MC](#)

[MGDQ4-00004-P](#) [MGDU1-00016-P](#) [MHL1ECTTP18NJ](#) [MHL1JCTTD12NJ](#) [PE-51506NL](#) [PE-53601NL](#) [PE-53630NL](#) [PE-53824SNLT](#) [PE-](#)

[62892NL](#) [PE-92100NL](#) [PG0434.801NLT](#) [PG0936.113NLT](#) [PM06-2N7](#) [PM06-39NJ](#) [HC2LP-R47-R](#) [HC2-R47-R](#) [HC3-2R2-R](#) [HC8-1R2-R](#)