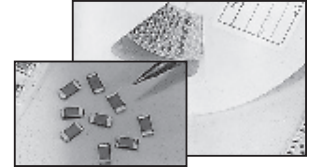


FEATURES

- CLASS II DIELECTRIC, TEMPERATURE STABLE
- EXCELLENT FREQUENCY CHARACTERISTICS, NON-LINEAR CAPACITANCE CHANGE
- NICKEL BARRIER TERMINATIONS AND EXCELLENT MECHANICAL STRENGTH

**Expanded
01005
Case Size**

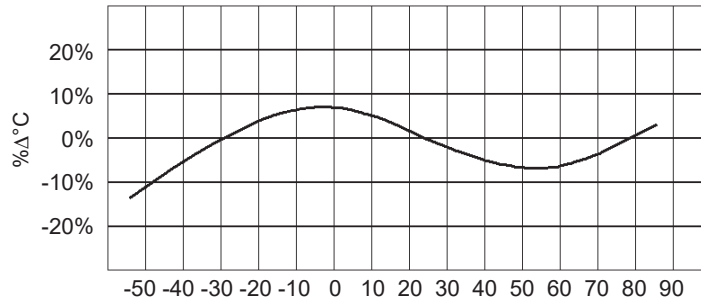


SPECIFICATIONS

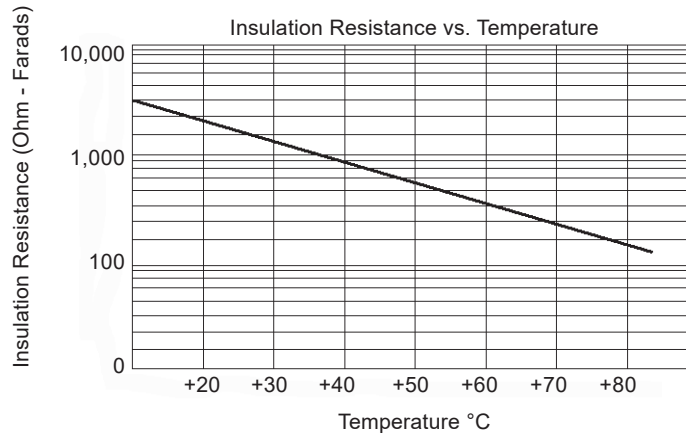
| | |
|---------------------------------|---|
| Capacitance Range | 100pF ~ 0.82μF (see high CV datasheet for higher capacitance values) |
| Capacitance Tolerance | ±10% (K), ±20% (M) |
| Operating Temperature Range | -55°C ~ +85°C |
| Temperature Characteristics | ±15%Δ max. over temperature range (with 0 Vdc applied) |
| Rated Voltages | 6.3Vdc, 10Vdc, 16Vdc, 25Vdc, 35Vdc & 50Vdc (see NMC-H Series for higher voltages, NMC High Cap for higher capacitance) |
| Dissipation Factor | See Available Values Tables (1KHz @ +25°C) |
| Insulation Resistance | 10,000Megohms min. or 500Megohm/μF min. whichever is less @ +25°C Except: 01005 0.1μF/6.3V 100MΩ, 0.1μF/10V = 500MΩ |
| Dielectric Withstanding Voltage | 250% of Rated Voltage for 1 ~ 5 seconds, 50mA maximum current |
| Test Conditions (EIA-198-2E) | 1KHz, 1.0V ±0.2Vrms |

Note: Reflow soldering allowed for all case sizes. Contact NIC for wave soldering restrictions.

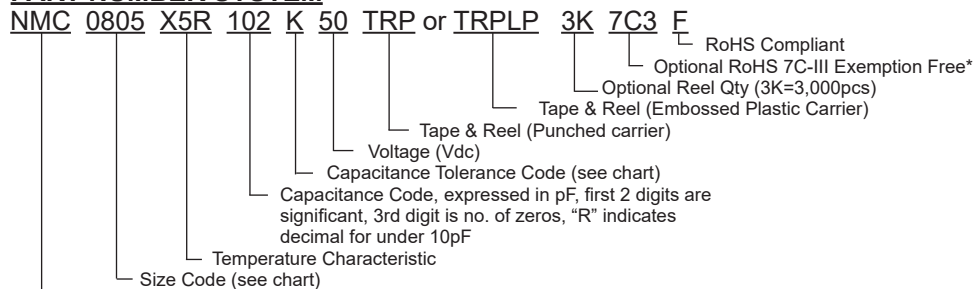
Typical X5R Temperature Coefficient



Insulation Resistance vs. Temperature



PART NUMBER SYSTEM



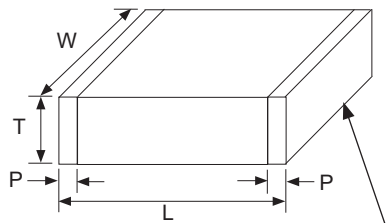
* - Part Number Level Identification of X5R MLCCs that do not take RoHS exemption 7C-III



01005 Case Size Available Values

| EIA Case Size | 01005 | |
|-----------------------|-----------------------|------|
| Length (L) | 0.4±0.02 | |
| Width (W) | 0.2±0.02 | |
| Thickness max. (T) | 0.22 | |
| Termination Width (P) | 0.1±0.03 | |
| Capacitance | Working Voltage (Vdc) | |
| | 6.3 | 10 |
| 100pF | | 7.5% |
| 150pF | | 7.5% |
| 220pF | | 7.5% |
| 330pF | | 7.5% |
| 470pF | | 7.5% |
| 680pF | | 7.5% |
| 1,000pF | | 7.5% |
| 1,500pF | 10% | |
| 2,200pF | 10% | |
| 3,300pF | 10% | |
| 4,700pF | 10% | |
| 6,800pF | 10% | |
| 10,000pF | 10% | 10% |
| 100,000pF | 12.5% | 10% |

Percentage shown represent dissipation factor



100% Sn over Ni barrier

(CONSULT FACTORY FOR CAPACITANCE VALUES NOT LISTED)

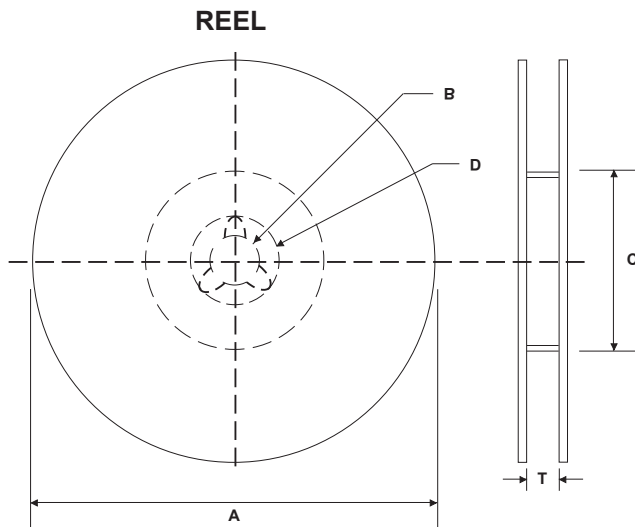
0201, 0402 & 0603 Case Size Available Values

| EIA Case Size | 0201 | | 0402 | | | | 0603 | | | | | | |
|-----------------------|-----------------------|------|----------|------|-----|-----|-------------|-----|------|----|----|------|------|
| Length (L) | 0.6 ± 0.05 | | 1.0±0.05 | | | | 1.6±0.15 | | | | | | |
| Width (W) | 0.3 ± 0.05 | | 0.5±0.05 | | | | 0.8±0.15 | | | | | | |
| Thickness max. (T) | 0.33 | | 0.6 | | | | 1.0 | | | | | | |
| Termination Width (P) | 0.10 ~ 0.20 | | 0.2±0.1 | | | | 0.12 ~ 0.51 | | | | | | |
| Capacitance | Working Voltage (Vdc) | | | | | | | | | | | | |
| | 6.3 | 10 | 6.3 | 10 | 16 | 25 | 35 | 6.3 | 10 | 16 | 25 | 35 | 50 |
| 0.0012µF | 10% | 7.5% | | | | | | | | | | | |
| 0.0015µF | 10% | 7.5% | | | | | | | | | | | |
| 0.0018µF | 10% | 7.5% | | | | | | | | | | | |
| 0.0022µF | 10% | 7.5% | | | | | | | | | | | |
| 0.0027µF | 10% | 7.5% | | | | | | | | | | | |
| 0.0033µF | 10% | 7.5% | | | | | | | | | | | |
| 0.0039µF | 10% | 7.5% | | | | | | | | | | | |
| 0.0047µF | 10% | 7.5% | 10% | 7.5% | 5% | | | | | | | | |
| 0.0056µF | 10% | 7.5% | 10% | 7.5% | 5% | | | | | | | | |
| 0.0068µF | 10% | 7.5% | 10% | 7.5% | 5% | | | | | | | | |
| 0.0075µF | 10% | 7.5% | 10% | 7.5% | 5% | | | | | | | | |
| 0.0082µF | 10% | 7.5% | 10% | 7.5% | 5% | | | | | | | | |
| 0.01µF | 10% | 7.5% | 10% | 7.5% | 5% | | | | | | | | |
| 0.015µF | 10% | | 10% | 7.5% | 5% | | | | | | | | |
| 0.018µF | 10% | | 10% | 7.5% | 5% | | | | | | | | |
| 0.022µF | 10% | | 10% | 7.5% | 5% | | | | | | | | |
| 0.027µF | 10% | | 10% | 7.5% | 5% | | | | | | | | |
| 0.033µF | 10% | | 10% | 7.5% | 5% | | | | | | | | |
| 0.036µF | 10% | | 10% | 7.5% | 5% | | | | | | | | |
| 0.039µF | 10% | | 10% | 7.5% | 5% | | | | | | | | |
| 0.047µF | 10% | | 10% | 7.5% | 5% | | | | | | | | |
| 0.056µF | 10% | | 10% | 7.5% | 5% | | | | | | | | |
| 0.068µF | 10% | | 10% | 7.5% | 5% | | | | | | | | |
| 0.075µF | 10% | | 10% | 7.5% | 5% | | | | | | | | |
| 0.082µF | 10% | | 10% | 7.5% | 5% | | | | | | | | |
| 0.1µF | 10% | 10% | 10% | 7.5% | 5% | | | | | | | 5% | |
| 0.15µF | | | | | | | | | | | | 5% | |
| 0.18µF | | | 10% | | | | | | | | | 5% | |
| 0.22µF | 10% | | 10% | 7.5% | 10% | 10% | | 10% | 7.5% | | 5% | 5% | 5% |
| 0.27µF | | | | | | | | 10% | 7.5% | | 5% | | |
| 0.33µF | | | 10% | 10% | 10% | | 10% | 10% | 7.5% | 5% | 5% | 5% | 5% |
| 0.36µF | | | | | | | | 10% | 7.5% | 5% | 5% | | |
| 0.39µF | | | | | | | | 10% | 7.5% | 5% | 5% | | |
| 0.47µF | | | 10% | 10% | 10% | 10% | 10% | 10% | 7.5% | 5% | 5% | 5% | 5% |
| 0.68µF | | | 10% | | | 10% | 10% | 10% | 7.5% | 5% | 5% | 7.5% | 7.5% |
| 0.82µF | | | | | | | | 10% | 7.5% | 5% | | | |

Percentage shown represent dissipation factor

See NMC High Capacitance datasheet for higher capacitance values
or NMC-H High Voltage datasheet for higher voltage ratings





REEL DIMENSIONS (mm)

| Reel Diameter (A) | B | C | D | T max. |
|-------------------|----------|-----------|----------|---|
| 7" (178 ± 2.0) | 13 ± 0.5 | 50 min. | 21 ± 1.0 | 8.4 +1.0/-0 (1812 case size 12.4 +2.0/-0) |
| 10" (250 ± 2.0) | | 100 ± 1.0 | | |
| 13" (330 ± 2.0) | | 100 ± 1.0 | | |

7 INCH REEL QUANTITIES*

| Size | 01005 | 0201 | 0402 | 0603 | 0805 | 1206 | 1210 | 1812 |
|-------------------|--------|--------|--------|-------|-------|-------|-------|-------|
| Tape Size | 8mm | 8mm | 8mm | 8mm | 8mm | 8mm | 8mm | 12mm |
| Min. Qty Per Reel | 20,000 | 15,000 | 10,000 | 4,000 | 4,000 | 4,000 | 2,000 | 1,000 |
| Max. Qty Per Reel | 20,000 | 15,000 | 10,000 | 4,000 | 5,000 | 5,000 | 5,000 | 2,000 |

*Quantity dependent on chip thickness. Contact NIC for reel quantities on larger diameter reels.

CARRIER TAPE MATERIAL

Parts with a thickness of $\geq 1\text{mm}$ will be taped on embossed plastic carrier. Parts with a thickness of less than 1mm will be taped on paper carrier

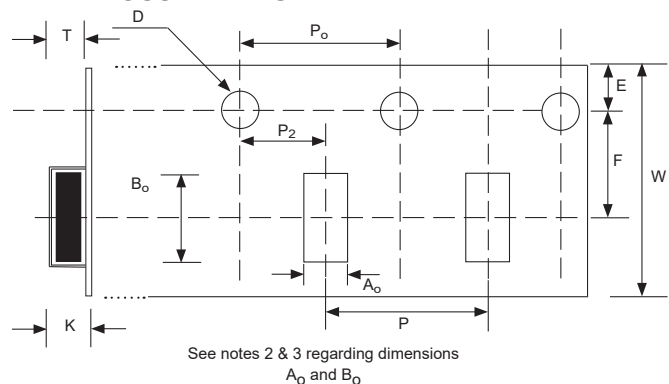
EMBOSSED PLASTIC CARRIER TAPE DIMENSIONS (mm)

| Tape Size | W | F | E | P ₀ | P ₂ | D | K max. | T max. | P |
|-----------|-----------|------------|-------------|----------------|----------------|-------------------------------------|--------|--------|-----------|
| 8mm | 8.0 ± 0.2 | 3.5 ± 0.05 | 1.75 ± 0.10 | 4.0 ± 0.1 | 2.0 ± 0.5 | 1.5 ^{+0.1} _{-0.0} | 3.0 | 2.0 | 4.0 ± 0.1 |
| 12mm | 12 ± 0.2 | 5.5 ± 0.05 | | | | | | 4.5 | 8.0 ± 0.1 |

Notes:

- Specifications are in compliance with EIA RS481-1-A "Taping of surface Mount Components for Automatic Placement"
- Dimensions A₀ (max.) equals component width dimension plus 0.5mm
- Dimension B₀ (max.) equals component length dimension plus 0.5mm

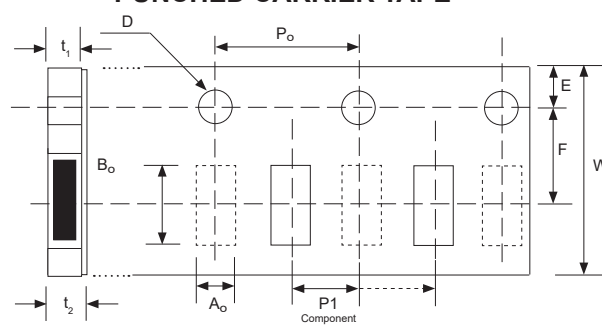
EMBOSSED PLASTIC CARRIER TAPE



PUNCHED CARRIER TAPE DIMENSIONS (mm)

| Type | A ₀ | B ₀ | W | F | E | P1 | P0 | D0 | T1 max. | T2 max. | Mounting Hole |
|-------|----------------|----------------|-----------|------------|------------|------------|-----------|-------------------------------------|---------|---------|--------------------|
| 01005 | 0.25 ± 0.04 | 0.45 ± 0.04 | 8.0 ± 0.3 | 3.5 ± 0.05 | 1.75 ± 0.1 | 2.0 ± 0.05 | 4.0 ± 0.1 | 1.5 ^{+0.1} _{-0.0} | 0.27 | 0.36 | Angular Punch Hole |
| 0201 | 0.37 ± 0.03 | 0.67 ± 0.05 | | | | | | | 0.45 | 0.80 | |
| 0402 | 0.65 ± 0.05 | 1.15 ± 0.05 | | | | 4.0 ± 0.10 | | | 1.1 | 1.4 | |
| 0603 | 1.1 ± 0.2 | 1.9 ± 0.2 | | | | | | | | | |
| 0805 | 1.65 ± 0.2 | 2.4 ± 0.2 | | | | | | | | | |
| 1206 | 2.0 ± 0.2 | 3.6 ± 0.2 | | | | | | | | | |

PUNCHED CARRIER TAPE



X-ON Electronics

Largest Supplier of Electrical and Electronic Components

Click to view similar products for [nic manufacturer](#):

Other Similar products are found below :

[NRE-S100M25V4X7F](#) [NMC-P1206X7R104K100TRPF](#) [NCC0805F261HTRF](#) [NRWA470M35V6.3X11TBF](#) [NACE221M16V6.3X8TR13F](#)
[NRSS332M50V18X35.5F](#) [NDTM106K25F1TRF](#) [NACZ221M50V10X10.5TR13F](#) [NTC-T107K16TRDF](#) [NCM15X7R103K50F](#)
[NRSS682M25V18X35.5F](#) [NEXC224Z5.5V10.5X8.5TRF](#) [NRLRW221M450V30X35SF](#) [NRLMW223M25V35X35F](#) [NDTM225K50F2TRF](#)
[NEXT105Z5.5V21.5X13F](#) [NRSZ471M50V12.5X20F](#) [NTCL106K35TRDF](#) [NRWA331M25V10X12.5F](#) [NRSY472M25V16X31.5F](#)
[NEXS105Z5.5V28.5X14F](#) [NRLR181M400V25X30SF](#) [NRSZ102M25V12.5X20F](#) [NUVA33T385TRF](#) [NUVA33V405TRF](#)
[NRLMW331M250V30X25F](#) [NRLF103M25V35X20F](#) [NDTM106K35F](#) [NRLMW102M200V35X35F](#) [NPIS43LS220MTRF](#)
[NACZ101M25V6.3X8TR13F](#) [NTC-T475K50TRDF](#) [NCD222M1KVZ5UKF](#) [NRLR472M63V25X40SF](#) [NTP157M10TRD\(40\)F](#)
[NPIM74C3R3MTRF](#) [NPI104C100MTRF](#) [NRLM102M100V25X25F](#) [NAZT221M50V10X10.5LBF](#) [NACK102M10V 10X10.5TR13F](#)
[NACZ221M35V8X10.5TR13F](#) [NRWA101M10V5X11F](#) [NTC-T336K16TRCF](#) [NCD681K10KVY5PF](#) [NRWP102M16V10X12.5F](#)
[NRLM822M50V30X35F](#) [NACE470M63V8X10.5TR13F](#) [NCD4R7C1KVNPOF](#) [NRSZ152M35V 16X25F](#) [NRSH222M63V18X40F](#)