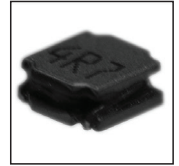


FEATURES

- SHIELDED POWER INDUCTOR
- HIGH CURRENT (UP TO 7.8 AMPS)
- 30% LOWER DCR THAN NPIS_LS SERIES
- ROBUST CONSTRUCTION
- TAPED AND REELED FOR AUTOMATIC INSERTION
- FOR USE IN DC/DC CONVERTERS

RoHS Compliant
includes all homogeneous materials



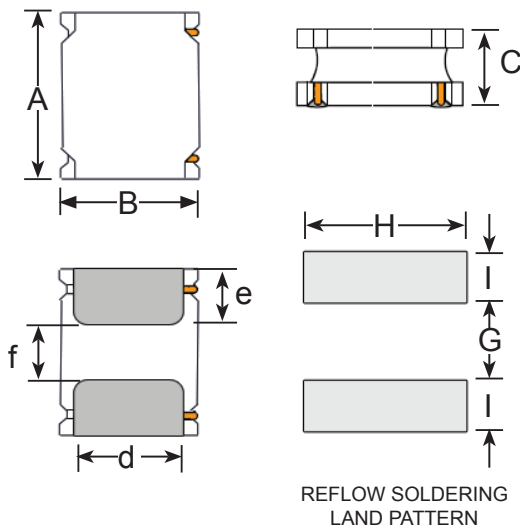
*See Part Number System for Details

CHARACTERISTICS

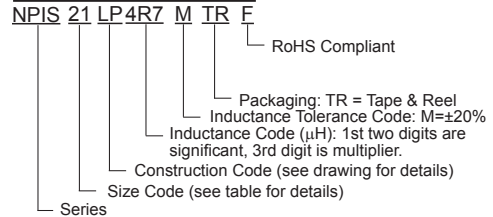
| | | | | | |
|-------------------------------------|--|-------------|-------------|-------------|------------|
| Case Size | NPIS26LP | NPIS22LP | NPIS20LP | NPIS21LP | NPIS32LP |
| Inductance Range | 0.16 ~ 10μH | 0.16 ~ 33μH | 0.24 ~ 22μH | 0.16 ~ 22μH | 1.0 ~ 22μH |
| Case Size | NPIS35LP | NPIS41LP | NPIS48LP | NPIS83LP | |
| Inductance Range | 0.47 ~ 22μH | 0.47 ~ 10μH | 1.0 ~ 330μH | 1.0 ~ 47μH | |
| Ambient Operating Temperature Range | -40°C ~ +125°C (including self-heating) | | | | |
| Temperature Rise at Irms | Maximum +40°C Temperature Rise | | | | |
| Inductance Change at Isat | Maximum -30% Inductance Drop From Initial Measured Value | | | | |
| Inductance Tolerance | ±20% (M) | | | | |
| Resistance to Solder Heat | +260°C for 10 seconds | | | | |

DIMENSIONS (mm)

| Series | A | B | C | d | e | f | G | I | H |
|----------|-----------|-----------|----------|-----------|------------|------------|------|------|-----|
| NPIS26LP | 2.0 ± 0.2 | 1.6 ± 0.2 | 1.0 Max. | 1.2 ± 0.2 | 0.60 ± 0.2 | 0.80 ± 0.2 | 0.7 | 0.7 | 1.7 |
| NPIS22LP | 2.0 ± 0.1 | 2.0 ± 0.1 | 1.2 Max. | 1.5 ± 0.2 | 0.60 ± 0.2 | 0.80 ± 0.2 | 0.65 | 0.7 | 2 |
| NPIS20LP | 2.5 ± 0.2 | 2.0 ± 0.2 | 1.0 Max. | 1.5 ± 0.2 | 0.80 ± 0.2 | 0.80 ± 0.2 | 0.8 | 0.85 | 2 |
| NPIS21LP | 2.5 ± 0.2 | 2.0 ± 0.2 | 1.2 Max. | 1.5 ± 0.2 | 0.80 ± 0.2 | 0.80 ± 0.2 | 0.8 | 0.85 | 2 |
| NPIS32LP | 3.0 ± 0.2 | 3.0 ± 0.2 | 1.2 Max. | 2.5 ± 0.2 | 0.75 ± 0.2 | 1.5 ± 0.2 | 1.5 | 0.8 | 2.7 |
| NPIS35LP | 3.0 ± 0.2 | 3.0 ± 0.2 | 1.5 Max. | 2.5 ± 0.2 | 0.75 ± 0.2 | 1.5 ± 0.2 | 1.5 | 0.8 | 2.7 |
| NPIS41LP | 4.0 ± 0.2 | 4.0 ± 0.2 | 1.2 Max. | 3.3 ± 0.2 | 0.95 ± 0.2 | 2.1 ± 0.2 | 1.9 | 1.1 | 3.7 |
| NPIS48LP | 4.0 ± 0.2 | 4.0 ± 0.2 | 1.8 Max. | 3.3 ± 0.2 | 0.95 ± 0.2 | 2.1 ± 0.2 | 1.9 | 1.1 | 3.7 |
| NPIS83LP | 8.0 ± 0.3 | 8.0 ± 0.3 | 3.0 Max. | 6.3 ± 0.3 | 2.00 ± 0.3 | 4.0 ± 0.3 | 3.8 | 2.2 | 7.5 |



PART NUMBER SYSTEM



NPIS26LP Size

| Series | Standard Values - Case Size 26 (2.0×1.6×1.0mm) | | | | | |
|-----------------|--|-----------------|---------|-------|-------------|-------------|
| | Inductance (μH) | Test Conditions | DCR (Ω) | | Isat (Amps) | Irms (Amps) |
| | | | Max. | Typ. | Max. | Max. |
| NPIS26LPR16MTRF | 0.16 ± 20% | 1MHz, 1V | 0.031 | 0.026 | 4.3 | 3.2 |
| NPIS26LPR24MTRF | 0.24 ± 20% | | 0.040 | 0.033 | 3.7 | 2.9 |
| NPIS26LPR33MTRF | 0.33 ± 20% | | 0.040 | 0.033 | 2.5 | 2.9 |
| NPIS26LPR47MTRF | 0.47 ± 20% | | 0.059 | 0.049 | 2.3 | 2.35 |
| NPIS26LPR68MTRF | 0.68 ± 20% | | 0.076 | 0.063 | 1.95 | 2.05 |
| NPIS26LP1R0MTRF | 1.0 ± 20% | | 0.114 | 0.095 | 1.65 | 1.45 |
| NPIS26LP1R5MTRF | 1.5 ± 20% | | 0.174 | 0.145 | 1.35 | 1.25 |
| NPIS26LP2R2MTRF | 2.2 ± 20% | | 0.264 | 0.22 | 1.20 | 1.10 |
| NPIS26LP3R3MTRF | 3.3 ± 20% | | 0.335 | 0.279 | 0.90 | 0.88 |
| NPIS26LP4R7MTRF | 4.7 ± 20% | | 0.479 | 0.399 | 0.70 | 0.74 |
| NPIS26LP6R8MTRF | 6.8 ± 20% | | 0.816 | 0.68 | 0.60 | 0.52 |
| NPIS26LP100MTRF | 10 ± 20% | | 1.02 | 0.85 | 0.50 | 0.45 |

Maximum +40°C temperature rise at Irms. Maximum -30% inductance drop from initial measured value at Isat.

NPIS22LP Size

| Series | Standard Values - Case Size 22 (2.0×2.0×1.2mm) | | | | | |
|-----------------|--|-----------------|---------|-------|-------------|-------------|
| | Inductance (μH) | Test Conditions | DCR (Ω) | | Isat (Amps) | Irms (Amps) |
| | | | Max. | Typ. | Max. | Max. |
| NPIS22LPR16MTRF | 0.16 ± 20% | 1MHz, 1V | 0.031 | 0.026 | 5.2 | 2.5 |
| NPIS22LPR24MTRF | 0.24 ± 20% | | 0.042 | 0.035 | 4.7 | 2.2 |
| NPIS22LPR33MTRF | 0.33 ± 20% | | 0.042 | 0.035 | 3.5 | 2.2 |
| NPIS22LPR47MTRF | 0.47 ± 20% | | 0.05 | 0.042 | 3.55 | 2 |
| NPIS22LPR68MTRF | 0.68 ± 20% | | 0.06 | 0.05 | 2.95 | 1.8 |
| NPIS22LP1R0MTRF | 1 ± 20% | | 0.088 | 0.073 | 2.7 | 1.5 |
| NPIS22LP1R5MTRF | 1.5 ± 20% | | 0.112 | 0.093 | 2.0 | 1.3 |
| NPIS22LP2R2MTRF | 2.2 ± 20% | | 0.127 | 0.106 | 1.4 | 1.2 |
| NPIS22LP3R3MTRF | 3.3 ± 20% | | 0.276 | 0.23 | 1.2 | 0.85 |
| NPIS22LP4R7MTRF | 4.7 ± 20% | | 0.294 | 0.245 | 0.97 | 0.82 |
| NPIS22LP6R8MTRF | 6.8 ± 20% | | 0.479 | 0.399 | 0.82 | 0.64 |
| NPIS22LP100MTRF | 10 ± 20% | | 0.785 | 0.654 | 0.72 | 0.49 |
| NPIS22LP150MTRF | 15 ± 20% | | 1.368 | 1.14 | 0.55 | 0.38 |
| NPIS22LP220MTRF | 22 ± 20% | | 1.68 | 1.4 | 0.40 | 0.35 |
| NPIS22LP330MTRF | 33 ± 20% | | 2.16 | 1.8 | 0.35 | 0.30 |

Maximum +40°C temperature rise at Irms. Maximum -30% inductance drop from initial measured value at Isat.



NPIS20LP Size

| Series | Standard Values - Case Size 20 (2.5×2.0×1.0mm) | | | | | | |
|-----------------|--|-----------------|---------|-------|-------------|-------------|-----------|
| | Inductance (μH) | Test Conditions | DCR (Ω) | | Isat (Amps) | Irms (Amps) | SRF (MHz) |
| | | | Max. | Typ. | Max. | Max. | Min. |
| NPIS20LPR24MTRF | 0.24 ± 20% | 1MHz, 1V | 0.034 | 0.028 | 3.6 | 2.75 | 360 |
| NPIS20LPR33MTRF | 0.33 ± 20% | | 0.043 | 0.036 | 3.8 | 2.4 | 270 |
| NPIS20LPR47MTRF | 0.47 ± 20% | | 0.044 | 0.037 | 2.4 | 2.4 | 170 |
| NPIS20LPR68MTRF | 0.68 ± 20% | | 0.061 | 0.051 | 2.75 | 2.1 | 110 |
| NPIS20LP1R0MTRF | 1.0 ± 20% | | 0.08 | 0.067 | 2.05 | 1.8 | 84 |
| NPIS20LP1R5MTRF | 1.5 ± 20% | | 0.108 | 0.09 | 1.7 | 1.55 | 60 |
| NPIS20LP2R2MTRF | 2.2 ± 20% | | 0.137 | 0.114 | 1.55 | 1.4 | 56 |
| NPIS20LP3R3MTRF | 3.3 ± 20% | | 0.228 | 0.17 | 1.1 | 1.1 | 39 |
| NPIS20LP4R7MTRF | 4.7 ± 20% | | 0.323 | 0.269 | 1.0 | 0.91 | 28 |
| NPIS20LP6R8MTRF | 6.8 ± 20% | | 0.451 | 0.376 | 0.82 | 0.76 | 25 |
| NPIS20LP100MTRF | 10 ± 20% | | 0.584 | 0.487 | 0.65 | 0.67 | 20 |
| NPIS20LP150MTRF | 15 ± 20% | | 0.954 | 0.795 | 0.55 | 0.50 | 19 |
| NPIS20LP220MTRF | 22 ± 20% | | 1.548 | 1.29 | 0.45 | 0.40 | 15 |

Maximum +40°C temperature rise at Irms. Maximum -30% inductance drop from initial measured value at Isat.

NPIS21LP Size

| Series | Standard Values - Case Size 21 (2.5×2.0×1.2mm) | | | | | | |
|-----------------|--|-----------------|---------|-------|-------------|-------------|-----------|
| | Inductance (μH) | Test Conditions | DCR (Ω) | | Isat (Amps) | Irms (Amps) | SRF (MHz) |
| | | | Max. | Typ. | Max. | Max. | Min. |
| NPIS21LPR16MTRF | 0.16 ± 20% | 1MHz, 1V | 0.022 | 0.018 | 6.5 | 4.05 | 380 |
| NPIS21LPR24MTRF | 0.24 ± 20% | | 0.022 | 0.018 | 4.0 | 4.05 | 260 |
| NPIS21LPR33MTRF | 0.33 ± 20% | | 0.029 | 0.024 | 4.0 | 3.35 | 230 |
| NPIS21LPR47MTRF | 0.47 ± 20% | | 0.036 | 0.03 | 3.7 | 3.0 | 170 |
| NPIS21LPR68MTRF | 0.68 ± 20% | | 0.061 | 0.051 | 3.0 | 2.1 | 150 |
| NPIS21LP1R0MTRF | 1.0 ± 20% | | 0.044 | 0.037 | 1.7 | 2.2 | 85 |
| NPIS21LP1R2MTRF | 1.2 ± 20% | | 0.078 | 0.065 | 2.2 | 1.95 | 75 |
| NPIS21LP1R5MTRF | 1.5 ± 20% | | 0.078 | 0.065 | 2.0 | 1.95 | 75 |
| NPIS21LP2R2MTRF | 2.2 ± 20% | | 0.096 | 0.08 | 1.8 | 1.8 | 55 |
| NPIS21LP3R3MTRF | 3.3 ± 20% | | 0.144 | 0.12 | 1.15 | 1.4 | 43 |
| NPIS21LP4R7MTRF | 4.7 ± 20% | | 0.21 | 0.175 | 1.1 | 1.12 | 36 |
| NPIS21LP6R8MTRF | 6.8 ± 20% | | 0.36 | 0.3 | 0.80 | 0.95 | 25 |
| NPIS21LP100MTRF | 10 ± 20% | | 0.522 | 0.435 | 0.70 | 0.79 | 21 |
| NPIS21LP150MTRF | 15 ± 20% | | 1.0 | 0.83 | 0.65 | 0.57 | 18 |
| NPIS21LP180MTRF | 18 ± 20% | | 1.0 | 0.83 | 0.65 | 0.63 | 14 |
| NPIS21LP220MTRF | 22 ± 20% | | 1.09 | 0.91 | 0.45 | 0.55 | 11 |

Maximum +40°C temperature rise at Irms. Maximum -30% inductance drop from initial measured value at Isat.



NPIS32LP Size

| Series | Standard Values - Case Size 32 (3.0x3.0x1.2mm) | | | | | | |
|-----------------|--|-----------------|---------|-------|-------------|-------------|-----------|
| | Inductance (μH) | Test Conditions | DCR (Ω) | | Isat (Amps) | Irms (Amps) | SRF (MHz) |
| | | | Max. | Typ. | Max. | Max. | Min. |
| NPIS32LP1R0MTRF | 1.0 ± 20% | 100KHz, 1V | 0.04 | 0.032 | 2.2 | 2.3 | 74 |
| NPIS32LP2R2MTRF | 2.2 ± 20% | | 0.09 | 0.075 | 1.5 | 1.4 | 51 |
| NPIS32LP3R3MTRF | 3.3 ± 20% | | 0.134 | 0.112 | 1.23 | 1.4 | 62 |
| NPIS32LP100MTRF | 10 ± 20% | | 0.372 | 0.310 | 0.75 | 0.75 | 22 |
| NPIS32LP220MTRF | 22 ± 20% | | 0.84 | 0.70 | 0.50 | 0.50 | 14 |

Maximum +40°C temperature rise at Irms. Maximum -30% inductance drop from initial measured value at Isat.

NPIS35LP Size

| Series | Standard Values - Case Size 35 (3.0x3.0x1.5mm) | | | | | | |
|-----------------|--|-----------------|---------|-------|-------------|-------------|-----------|
| | Inductance (μH) | Test Conditions | DCR (Ω) | | Isat (Amps) | Irms (Amps) | SRF (MHz) |
| | | | Max. | Typ. | Max. | Max. | Min. |
| NPIS35LPR47MTRF | 0.47 ± 20% | 100KHz, 1V | 0.022 | .0218 | 2.4 | 3.0 | 216 |
| NPIS35LP1R0MTRF | 1.0 ± 20% | | 0.04 | 0.033 | 2.7 | 2.2 | 92 |
| NPIS35LP1R5MTRF | 1.5 ± 20% | | 0.048 | 0.04 | 2.0 | 2.0 | 70 |
| NPIS35LP2R2MTRF | 2.2 ± 20% | | 0.06 | 0.05 | 1.5 | 1.8 | 55 |
| NPIS35LP3R3MTRF | 3.3 ± 20% | | 0.084 | 0.07 | 1.3 | 1.5 | 51 |
| NPIS35LP4R7MTRF | 4.7 ± 20% | | 0.155 | 0.096 | 1.1 | 1.3 | 35 |
| NPIS35LP6R8MTRF | 6.8 ± 20% | | 0.144 | 0.12 | 0.80 | 0.90 | 27 |
| NPIS35LP100MTRF | 10 ± 20% | | 0.276 | 0.23 | 0.75 | 0.84 | 21 |
| NPIS35LP150MTRF | 15 ± 20% | | 0.36 | 0.30 | 0.60 | 0.73 | 18 |
| NPIS35LP220MTRF | 22 ± 20% | | 0.54 | 0.45 | 0.52 | 0.60 | 14 |

Maximum +40°C temperature rise at Irms. Maximum -30% inductance drop from initial measured value at Isat.



NPIS41LP Size

| Series | Standard Values - Case Size 41 (4.0×4.0×1.2mm) | | | | | | |
|-----------------|--|-----------------|---------|-------|-------------|-------------|-----------|
| | Inductance (μH) | Test Conditions | DCR (Ω) | | Isat (Amps) | Irms (Amps) | SRF (MHz) |
| | | | Max. | Typ. | Max. | Max. | Min. |
| NPIS41LPR47MTRF | 0.47 ± 20% | 100KHz, 1V | 0.032 | 0.02 | 3.5 | 2.9 | 193 |
| NPIS41LPR82MTRF | 0.82 ± 20% | | 0.042 | 0.035 | 3.0 | 2.5 | 121 |
| NPIS41LP1R0MTRF | 1.0 ± 20% | | 0.050 | 0.042 | 2.8 | 2.2 | 100 |
| NPIS41LP1R5MTRF | 1.5 ± 20% | | 0.05 | 0.042 | 2.1 | 2.2 | 72 |
| NPIS41LP1R8MTRF | 1.8 ± 20% | | 0.066 | 0.055 | 2.1 | 2.0 | 73 |
| NPIS41LP2R2MTRF | 2.2 ± 20% | | 0.066 | 0.055 | 1.7 | 2.0 | 61 |
| NPIS41LP2R7MTRF | 2.7 ± 20% | | 0.084 | 0.070 | 1.9 | 1.7 | 57 |
| NPIS41LP3R3MTRF | 3.3 ± 20% | | 0.084 | 0.070 | 1.4 | 1.7 | 55 |
| NPIS41LP3R6MTRF | 3.6 ± 20% | | 0.09 | 0.075 | 1.2 | 1.7 | 49 |
| NPIS41LP4R3MTRF | 4.3 ± 20% | | 0.108 | 0.09 | 1.2 | 1.5 | 42 |
| NPIS41LP4R7MTRF | 4.7 ± 20% | | 0.108 | 0.09 | 1.2 | 1.8 | 39 |
| NPIS41LP5R1MTRF | 5.1 ± 20% | | 0.132 | 0.110 | 1.2 | 1.4 | 35 |
| NPIS41LP5R6MTRF | 5.6 ± 20% | | 0.132 | 0.110 | 1.1 | 1.4 | 35 |
| NPIS41LP6R8MTRF | 6.8 ± 20% | | 0.150 | 0.125 | 0.9 | 1.3 | 33 |
| NPIS41LP100MTRF | 10 ± 20% | | 0.204 | 0.170 | 0.8 | 1.1 | 27 |

Maximum +40°C temperature rise at Irms. Maximum -30% inductance drop from initial measured value at Isat.

NPIS48LP Size

| Series | Standard Values - Case Size 48 (4.0×4.0×1.8mm) | | | | | |
|-----------------|--|-----------------|---------|-------------|-------------|-----------|
| | Inductance (μH) | Test Conditions | DCR (Ω) | Isat (Amps) | Irms (Amps) | SRF (MHz) |
| | | | ± 20% | Max. | Max. | Min. |
| NPIS48LP1R0MTRF | 1.0 ± 20% | 100KHz, 1V | 0.027 | 4.00 | 3.20 | 90 |
| NPIS48LP1R5MTRF | 1.5 ± 20% | | 0.031 | 3.60 | 2.95 | 70 |
| NPIS48LP2R2MTRF | 2.2 ± 20% | | 0.042 | 3.00 | 2.20 | 60 |
| NPIS48LP3R3MTRF | 3.3 ± 20% | | 0.055 | 2.30 | 2.00 | 45 |
| NPIS48LP4R7MTRF | 4.7 ± 20% | | 0.070 | 2.00 | 1.70 | 35 |
| NPIS48LP6R8MTRF | 6.8 ± 20% | | 0.098 | 1.60 | 1.45 | 30 |
| NPIS48LP100MTRF | 10 ± 20% | | 0.150 | 1.30 | 1.20 | 25 |
| NPIS48LP150MTRF | 15 ± 20% | | 0.210 | 1.10 | 0.85 | 18 |
| NPIS48LP220MTRF | 22 ± 20% | | 0.290 | 0.90 | 0.70 | 15 |
| NPIS48LP330MTRF | 33 ± 20% | | 0.460 | 0.70 | 0.55 | 12 |
| NPIS48LP470MTRF | 47 ± 20% | | 0.620 | 0.57 | 0.65 | 11 |
| NPIS48LP680MTRF | 68 ± 20% | | 0.810 | 0.53 | 0.55 | 7.1 |
| NPIS48LP101MTRF | 100 ± 20% | | 1.30 | 0.49 | 0.45 | 5.2 |
| NPIS48LP151MTRF | 150 ± 20% | | 2.60 | 0.41 | 0.33 | 5.1 |
| NPIS48LP221MTRF | 220 ± 20% | | 3.20 | 0.33 | 0.25 | 4.2 |
| NPIS48LP331MTRF | 330 ± 20% | 4.90 | 0.26 | 0.22 | 3.2 | |

Maximum +40°C temperature rise at Irms. Maximum -30% inductance drop from initial measured value at Isat.

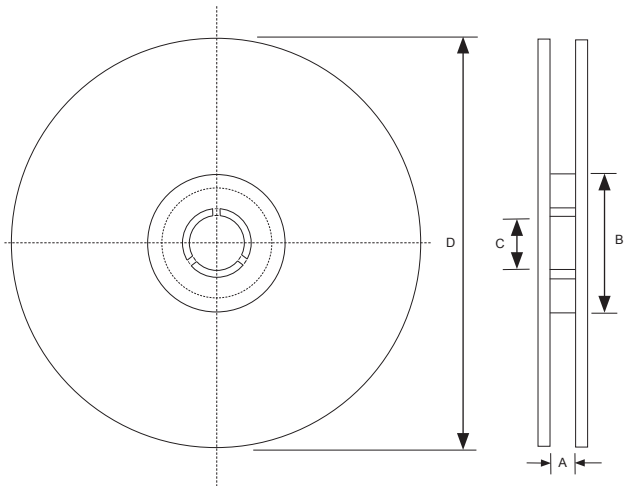
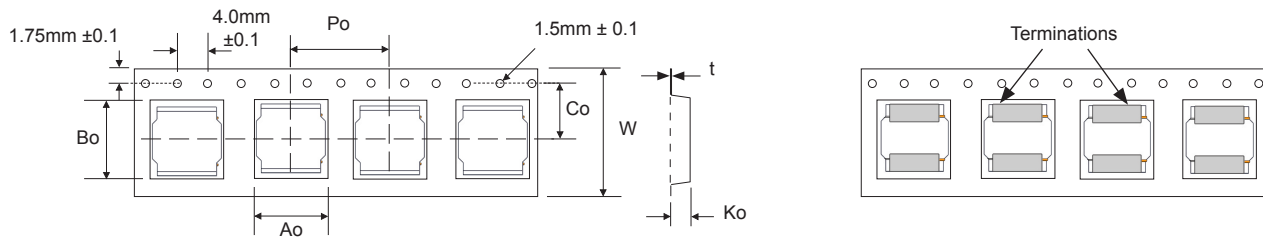


NPIS83LP Size

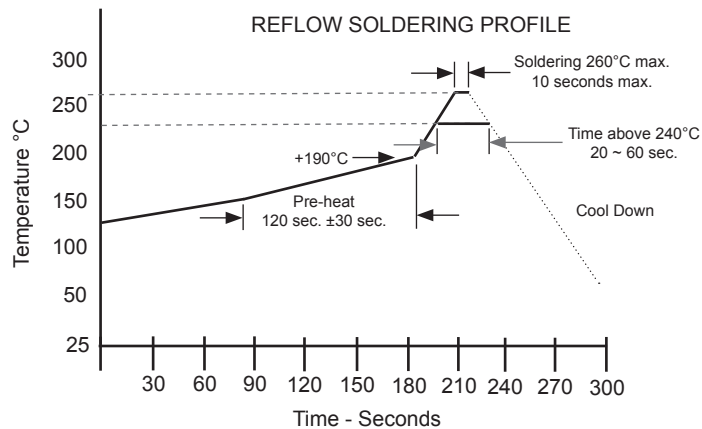
| Series | Standard Values - Case Size 83 (8.0×8.0×3.0mm) | | | | | |
|-----------------|--|-----------------|---------|-------------|-------------|-----------|
| | Inductance (μH) | Test Conditions | DCR (Ω) | Isat (Amps) | Irms (Amps) | SRF (MHz) |
| | | | ± 20% | Max. | Max. | Min. |
| NPIS83LP1R0YTRF | 1.0 ± 30% | 100KHz, 1V | 0.009 | 7.80 | 6.20 | 90 |
| NPIS83LP1R5YTRF | 1.5 ± 30% | | 0.012 | 6.20 | 5.30 | 70 |
| NPIS83LP2R2MTRF | 2.2 ± 20% | | 0.015 | 4.90 | 4.80 | 60 |
| NPIS83LP3R3MTRF | 3.3 ± 20% | | 0.019 | 4.20 | 4.30 | 45 |
| NPIS83LP4R7MTRF | 4.7 ± 20% | | 0.022 | 3.60 | 4.00 | 35 |
| NPIS83LP6R8MTRF | 6.8 ± 20% | | 0.029 | 3.00 | 3.40 | 30 |
| NPIS83LP100MTRF | 10 ± 20% | | 0.033 | 2.40 | 3.00 | 25 |
| NPIS83LP150MTRF | 15 ± 20% | | 0.060 | 2.00 | 2.20 | 18 |
| NPIS83LP220MTRF | 22 ± 20% | | 0.070 | 1.75 | 1.90 | 15 |
| NPIS83LP330MTRF | 33 ± 20% | | 0.120 | 1.30 | 1.50 | 12 |
| NPIS83LP470MTRF | 47 ± 20% | | 0.170 | 1.10 | 1.30 | 11 |

Maximum +40°C temperature rise at I_{rms}. Maximum -30% inductance drop from initial measured value at I_{sat}.

| Case Size | CARRIER TAPING DIMENSIONS (mm) AND REEL QUANTITY | | | | | | | |
|-----------|--|-------------|-------------|------------|------------|------------|-------------|----------|
| | Ao | Bo | Ko | Co | W | Po | t | Quantity |
| NPIS26LP | 1.90 ± 0.05 | 2.20 ± 0.05 | 1.2 ± 0.05 | 3.5 ± 0.05 | 8.0 ± 0.1 | 4.0 ± 0.1 | 0.25 ± 0.02 | 2,000 |
| NPIS22LP | 2.35 ± 0.05 | 2.35 ± 0.05 | 1.4 ± 0.05 | 3.5 ± 0.05 | 8.0 ± 0.1 | 4.0 ± 0.1 | 0.25 ± 0.03 | 2,000 |
| NPIS20LP | 2.45 ± 0.05 | 2.75 ± 0.05 | 1.2 ± 0.05 | 3.5 ± 0.05 | 8.0 ± 0.1 | 4.0 ± 0.1 | 0.25 ± 0.03 | 2,000 |
| NPIS21LP | 2.45 ± 0.05 | 2.75 ± 0.05 | 1.55 ± 0.05 | 3.5 ± 0.05 | 8.0 ± 0.1 | 4.0 ± 0.1 | 0.25 ± 0.03 | 2,000 |
| NPIS32LP | 3.3 ± 0.1 | 3.3 ± 0.1 | 1.6 ± 0.1 | 3.5 ± 0.1 | 8.0 ± 0.3 | 4.0 ± 0.1 | 0.25 ± 0.03 | 2,000 |
| NPIS35LP | | | 1.9 ± 0.1 | | | | 0.25 ± 0.03 | 2,000 |
| NPIS41LP | 4.3 ± 0.1 | 4.3 ± 0.1 | 1.6 ± 0.1 | 5.5 ± 0.1 | 12.0 ± 0.3 | 8.0 ± 0.1 | 0.35 ± 0.03 | 4,500 |
| NPIS48LP | | | 2.1 ± 0.1 | | | | | 3,000 |
| NPIS83LP | 8.35 ± 0.1 | 8.35 ± 0.1 | 3.4 ± 0.1 | 7.5 ± 0.1 | 16.0 ± 0.3 | 12.0 ± 0.1 | 0.4 ± 0.03 | 1,500 |



| Tape Width | REEL DIMENSIONS (mm) | | | |
|------------|----------------------|-----------|------------|-----------|
| | A(mm) | B(mm) | C(mm) | D(mm) |
| NPIS26LP | 8.4 +1.5/-0 | 58 ± 2.0 | 13.5 ± 0.2 | 178 ± 2.0 |
| NPIS22LP | | | | |
| NPIS20LP | | | | |
| NPIS21LP | | | | |
| NPIS32LP | | | | |
| NPIS35LP | 12.4 +0.2/-0 | 100 ± 2.0 | 13.0 +2/-0 | 330 ± 2.0 |
| NPIS41LP | | | | |
| NPIS48LP | | | | |
| NPIS83LP | 16.4 +0.2/-0 | 100 ± 2.0 | 13.0 +2/-0 | 330 ± 2.0 |



X-ON Electronics

Largest Supplier of Electrical and Electronic Components

Click to view similar products for [Fixed Inductors](#) category:

Click to view products by [NIC](#) manufacturer:

Other Similar products are found below :

[MLZ1608M6R8WTD25](#) [MLZ1608N6R8LT000](#) [MLZ1608N3R3LTD25](#) [MLZ1608N3R3LT000](#) [MLZ1608N150LT000](#)
[MLZ1608M150WTD25](#) [MLZ1608M3R3WTD25](#) [MLZ1608M3R3WT000](#) [MLZ1608M150WT000](#) [MLZ1608A1R5WT000](#)
[MLZ1608N1R5LT000](#) [B82432C1333K000](#) [PCMB053T-1R0MS](#) [PCMB053T-1R5MS](#) [PCMB104T-1R5MS](#) [CR32NP-100KC](#) [CR32NP-151KC](#) [CR32NP-180KC](#) [CR32NP-181KC](#) [CR32NP-1R5MC](#) [CR32NP-390KC](#) [CR32NP-3R9MC](#) [CR32NP-680KC](#) [CR32NP-820KC](#)
[CR32NP-8R2MC](#) [CR43NP-390KC](#) [CR43NP-560KC](#) [CR43NP-680KC](#) [CR54NP-181KC](#) [CR54NP-470LC](#) [CR54NP-820KC](#) [CR54NP-8R5MC](#)
[MGDQ4-00004-P](#) [MGDU1-00016-P](#) [MHL1ECTTP18NJ](#) [MHL1JCTTD12NJ](#) [PE-51506NL](#) [PE-53601NL](#) [PE-53630NL](#) [PE-53824SNLT](#) [PE-62892NL](#) [PE-92100NL](#) [PG0434.801NLT](#) [PG0936.113NLT](#) [PM06-2N7](#) [PM06-39NJ](#) [HC2LP-R47-R](#) [HC2-R47-R](#) [HC3-2R2-R](#) [HC8-1R2-R](#)