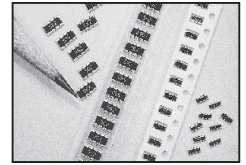


FEATURES

- ULTRA MINIATURE SIZE AND LOW PROFILE
- THICK FILM CONSTRUCTION
- HIGH DENSITY PACKAGING OFFERS SIGNIFICANT SPACE SAVINGS
- REFLOW SOLDERING COMPATIBLE

**RoHS
Compliant**
includes all homogeneous materials



*See Part Number System for Details

SPECIFICATIONS

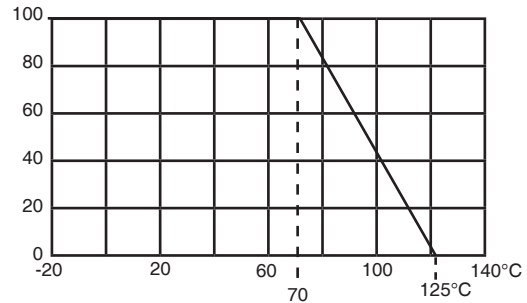
Type	NRSNE2I2	NRSNE2I4
Termination Type	Flat	Flat
Size W x L (mm)	0.6 x 0.8	0.6 x 1.4
No. of Resistors & Circuit	2R Isolated	4R Isolated
Power Rating per Resistor @ +70°C	1/32 (.031W)	1/32 (.031W)
Resistance Tolerance*	J (±5%)	
Resistance Range	10Ω ~ 1MΩ	10Ω ~ 1MΩ
Jumper	Under 50mΩ	
Current Ratings	Rated - 0.5A	Max. Overload - 1.0A
Temperature Coefficient	±200ppm	
Maximum Working Voltage**	12.5V	
Maximum Overload Voltage	25V	
Operating Temperature Range	-55°C ~ +125°C	

*1% (F) tolerance available special order. Contact NIC regarding availability.

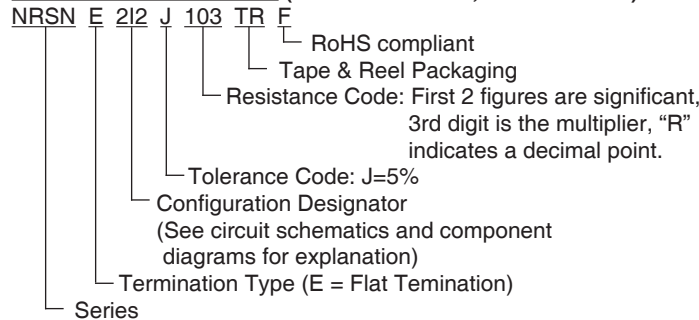
** Maximum allowable continuous voltage for all resistors is the lower of the two values: "MAXIMUM WORKING VOLTAGE" as specified, or $\sqrt{\text{Power rating (WATTS)} \times \text{Resistance (OHMS)}}$

Power Derating Curve:

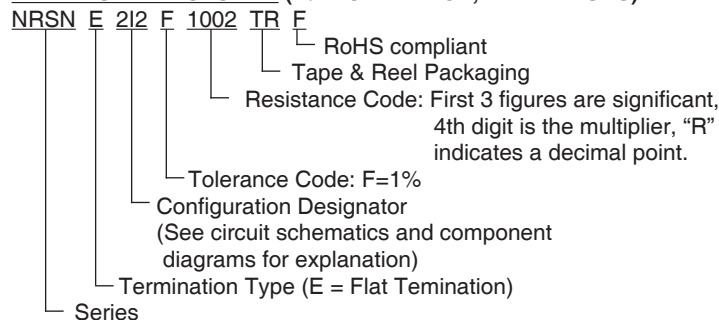
For operation above 70°C, power rating must be derated according to the following chart:



PART NUMBER SYSTEM (5% TOLERANCE, E-24 VALUES)

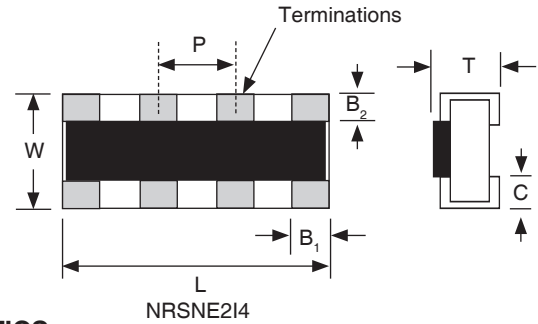
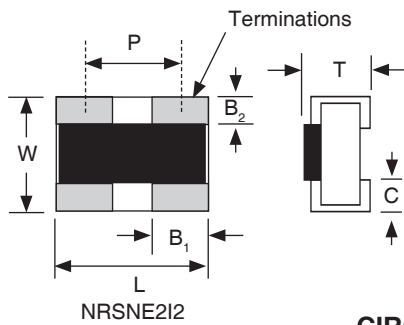


PART NUMBER SYSTEM (1% TOLERANCE, E-24 VALUES)



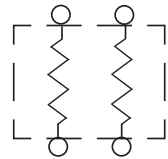
COMPONENT DIMENSIONS (mm)

Type	W	L	P	T	B ₁	B ₂	C
NRSNE2I2	0.60 ± 0.10	0.80 ± 0.10	0.50 nom.	0.35 ± 0.10	0.30 ± 0.10	0.15 ± 0.10	0.15 ± 0.10
NRSNE2I4	0.60 ± 0.10	1.40 ± 0.10	0.40 nom.	0.35 ± 0.10	0.20 ± 0.10	0.15 ± 0.07	0.15 ± 0.05

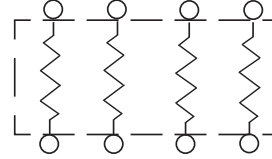


CIRCUIT SCHEMATICS

NRSNE2I2A
4 Terminal Isolated

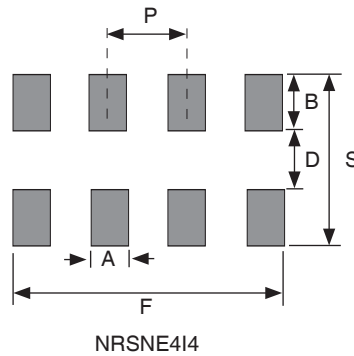
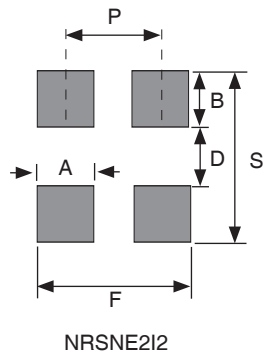


NRSNE2I4A
8 Terminal Isolated



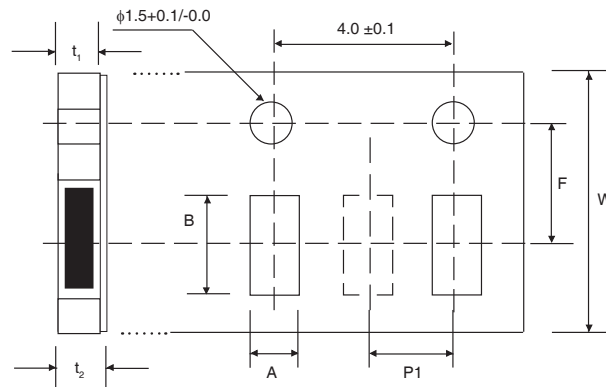
RECOMMENDED LAND PATTERN DIMENSIONS (mm)

Type	Reflow Soldering					
	A	B	D	P	S	F
NRSNE2I2	0.30	0.30	0.30	0.50	0.90	0.80
NRSNE2I4	0.20	0.30	0.30	0.40	0.90	1.40



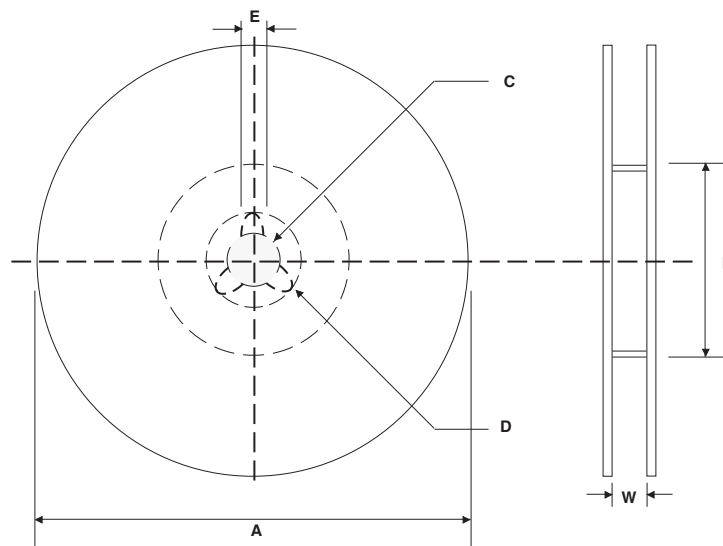
TAPE DIMENSIONS (mm)

Type	Material	A ± 0.15	B ± 0.15	F ± 0.05	p1 ± 0.05	W ± 0.30	t ₁ ± 0.05	t ₂ ± 0.10
NRSNE212	Paper	0.70	0.90	3.50	2.00	8.00	0.43	0.50
NRSNE214		0.70	1.60	3.50	2.00	8.00	0.43	0.50



REEL DIMENSIONS (mm)

Type	A	B	C	D	E	W	Qty/Reel
NRSNE212	$\phi 180$	$\phi 60$	$\phi 13.0$	$\phi 21.0$	2.0	9.0	10,000
NRSNE214	$-3.0/+0.0$	$-0.0/+1.0$	± 2.0	± 0.8	± 0.5	± 0.3	



X-ON Electronics

Largest Supplier of Electrical and Electronic Components

Click to view similar products for [Resistor Networks & Arrays](#) category:

Click to view products by [NIC](#) manufacturer:

Other Similar products are found below :

[CS6600552K000B8768](#) [CSC06A0122K0GEJ](#) [CSC08A01470KGEK](#) [M8340105K1002FGD03](#) [M8340106MA010FHD03](#)
[M8340107K1471FGD03](#) [M8340108K1001FCD03](#) [M8340108K2402GGD03](#) [M8340108K3240FGD03](#) [M8340108K3242FGD03](#)
[M8340108K3322FCD03](#) [M8340108K4991FGD03](#) [M8340108K6192FGD03](#) [M8340108K6202GGD03](#) [M8340109K2002FCD03](#)
[M8340109M4701GCD03](#) [EXB-24N121JX](#) [EXB-24N330JX](#) [EXB-24N470JX](#) [EXB-A10E102J](#) [EXB-A10E104J](#) [744C083101JTR](#) [EXB-](#)
[U14360JX](#) [EXB-U18240JX](#) [EXB-U18390JX](#) [MDP1603100KGE04](#) [PRA100I2-1KBWNW](#) [GUS-SS4-BLF-01-1002-G](#)
[ACAS06S0830339P100](#) [ACAS06S0830343P100](#) [ACAS06S0830344P100](#) [RM2012A-102/104-PBVW10](#) [RM2012A-102503-PBVW10](#)
[RM2012A-502104-PBVW10](#) [RM3216B-102302-PBVW10](#) [L091S102LF](#) [ACAS06S0830341P100](#) [ACAS06S0830342P100](#)
[ACAS06S0830345P100](#) [EXB-14V300JX](#) [EXB-U14220JX](#) [EXB-U14470JX](#) [EXB-U18330JX](#) [EXB-V4N100JV](#) [EXB-V8V220GV](#) [PRA100I2-](#)
[10KBWN](#) [PRA100I4-10KBWN](#) [CSC09A014K70JEK](#) [M8340102M4701JAD04](#) [M8340105K1002GGD03](#)