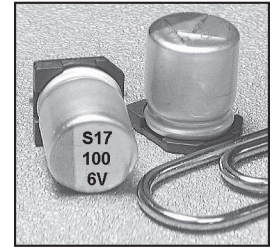


Hybrid Aluminum Electrolytic Capacitors

NSPE-S Series

- CYLINDRICAL V-CHIP CONSTRUCTION FOR SURFACE MOUNTING
 - EXTENDED LOAD LIFE (3,000 ~ 5,000 HOURS)
 - AVAILABLE WITH WIDE TERMINATION & ANTI-VIBRATION SKIRT
 - ULTRA LOW ESR, HIGH RIPPLE CURRENT
 - CAPACITANCE VALUES UP TO 1000 μ F
 - 6.3x6.3mm ~ 10x10.8mm CASE SIZES
 - REFLOW SOLDERING RATED TO +260°C (see reflow specifications)
 - MEETS THE REQUIREMENTS OF AEC-Q200*
- *Contact NIC for supporting test data



RoHS Compliant
includes all homogeneous materials

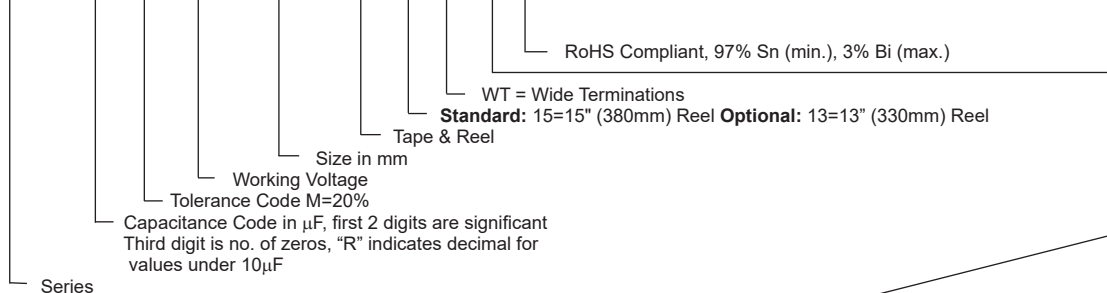
*See Part Number System for Details

CHARACTERISTICS

Rated Voltage Range	6.3 ~ 16Vdc			
Rated Capacitance Range	10 ~ 1000 μ F			
Operating Temp. Range	-55 ~ +105°C			
Capacitance Tolerance	\pm 20% (M)			
Max. Leakage Current After 2 Minutes @ 20°C	See Specifications Tables			
Working and Surge Voltage Ratings	W.V. (Vdc)	6.3	10	16
	S.V. (Vdc)	8.2	13	20
Tan δ @ 120Hz/20°C		0.18	0.16	0.14
Impedance Ratio	Z -55°C/Z +20°C	1 ~ 2.5		
	Z +105°C/Z +20°C	0.6 ~ 1.0		
Load Life Test @ 105°C 6.3mm Dia. = 3,000 Hours 8mm ~ 10mm Dia. parts = 5,000 Hours	Capacitance Change	Within \pm 30% of initial measured value		
	Tan δ and ESR	Less than 200% of specified max. value		
	Leakage Current	Less than specified max. value		

PART NUMBER SYSTEM

NSPE-S 471 M 6.3V 8x10.8 TR 15 WT Y E



Optional: Suitable for automotive equipment, sourced to special production and inspection at IATF-16949 certified production site

STANDARD PRODUCTS AND CASE SIZES D ϕ x L (mm)

PART NUMBER	Cap. (μ F)	Working Voltage	Case Size (D X L) mm	Max. Leakage Current (μ A) After 2 minutes*	Max. ESR (m Ω) AT 100kHz/20°C	Max. Ripple Current (mA rms) AT 100kHz/105°C
NSPE-S101M6.3V6.3X6.3TR15F	100	6.3	6.3X6.3	126	36	1630
NSPE-S151M6.3V6.3X6.3TR15F	150		6.3X6.3	189	36	1630
NSPE-S221M6.3V6.3X8TR15F	220		6.3X8	278	32	2020
NSPE-S221M6.3V8X10.8TR15F			8X10.8	278	16	3150
NSPE-S331M6.3V8X10.8TR15F	330		8X10.8	416	16	3150
NSPE-S391M6.3V8X10.8TR15F	390		8X10.8	492	16	3150
NSPE-S471M6.3V8X10.8TR15F	470		8X10.8	593	16	3150
NSPE-S561M6.3V8X10.8TR15F	560		8X10.8	706	16	3150
NSPE-S681M6.3V10X10.8TR15F	680		10X10.8	857	15	3890
NSPE-S821M6.3V10X10.8TR15F	820		10X10.8	1034	15	3890
NSPE-S102M6.3V10X10.8TR15F	1000		10X10.8	1260	15	3890

For Automotive Applications See Part Numbering System

*Please review typical leakage current performance, as shown on NIC load life endurance test report.



NIC COMPONENTS CORP. www.niccomp.com | www.lowESR.com | www.RFpassives.com | www.SMTmagnetics.com

SPECIFICATIONS ARE SUBJECT TO CHANGE

STANDARD PRODUCTS AND CASE SIZES D ϕ x L (mm)

PART NUMBER	Cap. (μ F)	Working Voltage	Case Size (D X L) mm	Max. Leakage Current (μ A) After 2 minutes*	Max. ESR (m Ω) AT 100kHz/20°C	Max. Ripple Current (mA rms) AT 100kHz/105°C	
NSPE-S330M10V6.3X6.3TR15F	33	10	6.3X6.3	100	40	1510	
NSPE-S470M10V6.3X6.3TR15F	47		6.3X6.3	100	40	1510	
NSPE-S680M10V6.3X6.3TR15F	68		6.3X6.3	136	40	1510	
NSPE-S101M10V6.3X8TR15F	100		6.3X8	200	35	1910	
NSPE-S101M10V8X10.8TR15F			8X10.8	200	18	2800	
NSPE-S151M10V6.3X8TR15F	150		6.3X8	300	35	1910	
NSPE-S151M10V8X10.8TR15F			8X10.8	300	18	2800	
NSPE-S221M10V8X10.8TR15F	220		8X10.8	440	18	2800	
NSPE-S331M10V8X10.8TR15F	330		8X10.8	660	18	2800	
NSPE-S471M10V10X10.8TR15F	470		10X10.8	940	16	3650	
NSPE-S561M10V10X10.8TR15F	560		10X10.8	1120	16	3650	
NSPE-S100M16V6.3X6.3TR15F	10		16	6.3X6.3	100	54	1130
NSPE-S220M16V6.3X6.3TR15F	22			6.3X6.3	100	54	1130
NSPE-S330M16V6.3X6.3TR15F	33	6.3X6.3		106	54	1130	
NSPE-S470M16V6.3X8TR15F	47	6.3X8		151	45	1480	
NSPE-S470M16V8X10.8TR15F	47	8X10.8		151	22	2290	
NSPE-S680M16V8X10.8TR15F	68	8X10.8		218	22	2290	
NSPE-S101M16V8X10.8TR15F	100	8X10.8		320	22	2290	
NSPE-S151M16V10X10.8TR15F	150	10X10.8		480	20	2920	

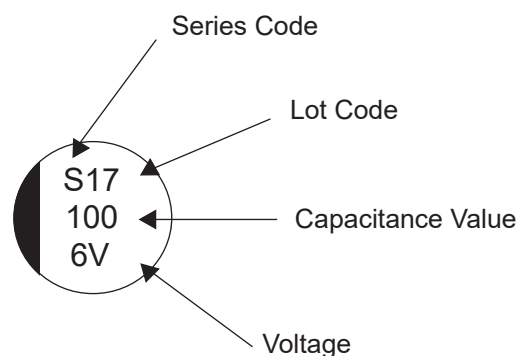
For Automotive Applications See Part Numbering System

*Please review typical leakage current performance, as shown on NIC load life endurance test report.

RIPPLE CURRENT FREQUENCY CORRECTION FACTORS

Cap. μ F	100Hz	1KHz	10KHz	100KHz
C \leq 10	0.03	0.20	0.50	1.00
> 10	0.05	0.20	0.50	1.00

Part Marking



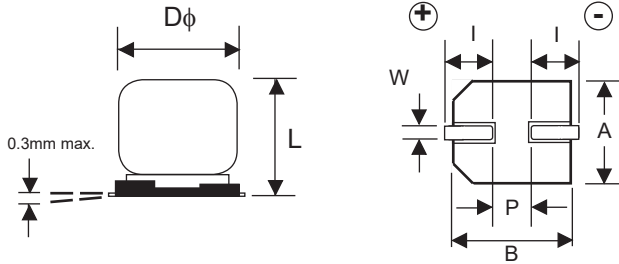
PRECAUTIONS

Please review the notes on correct use, safety and precautions found at <https://www.niccomp.com/resource/files/aluminum/AlumApplInfoCautions.pdf>
 If in doubt or uncertainty, please review your specific application - process details with NIC's technical support personnel: tpmg@niccomp.com



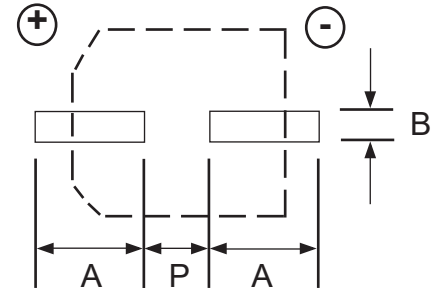
DIMENSIONS (mm)

Case Size	Dφ ±0.5	L max.	A, B ±0.2	W	l ±0.2	P ±0.2
6.3x6.3	6.3	6.3	6.6	0.5 ~ 0.8	2.5	2.2
6.3x8	6.3	8.0	6.6	0.5 ~ 0.8	2.5	2.2
8x10.8	8.0	10.8	8.3	0.7 ~ 1.0	2.9	3.2
10x10.8	10	10.8	10.3	1.0 ~ 1.4	3.2	4.6



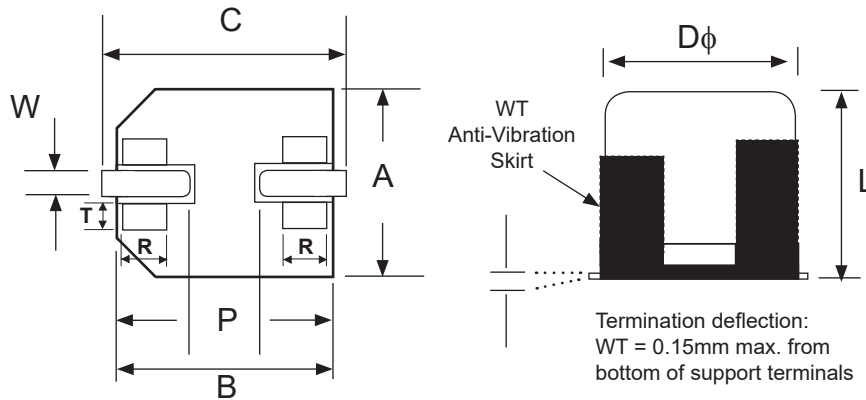
LAND PATTERN DIM. (mm)

Case Dia.	A	B	P
6.3	3.5	1.8	2.1
8	4.1	2.1	2.8
10	4.4	2.5	4.3



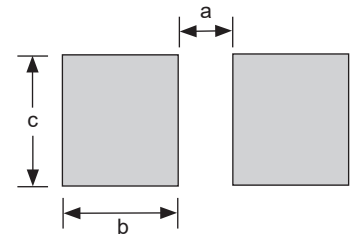
WIDE TERMINATION DIM. (mm)

Case Size	Dφ ±0.5	L ± 0.5	A, B	C ±0.2	P	W	R	T
6.3x6.3WT	6.3	6.5	6.6 ± 0.2	7.3	(2.2)	0.5 ~ 0.8	(1.7)	(0.7)
6.3x8WT	6.3	8.2	6.6 ± 0.2	7.3	(2.2)	0.5 ~ 0.8	(1.7)	(0.7)
8 x 10.8WT	8.0	10.5	8.3 ± 0.2	9.0	(3.2)	0.7 ~ 1.0	(0.7)	(1.3)
10 x 10.8WT	10.0	10.5	10.3 ± 0.2	11.0	(4.6)	1.0 ~ 1.4	(0.7)	(1.3)



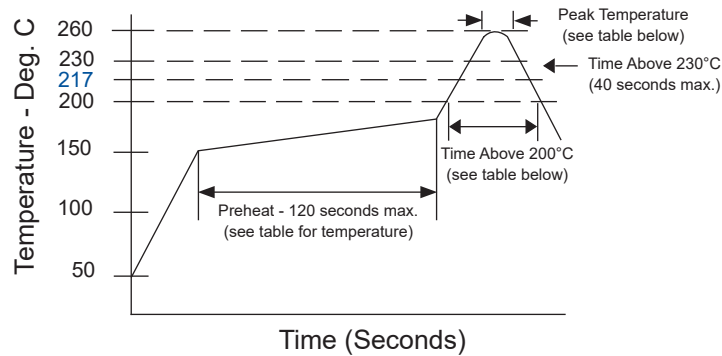
WIDE TERMINATION LAND PATTERN DIM. (mm)

Case Size	a	b	c
6.3x6.3	1.6	4.0	3.0
6.3x8	1.6	4.0	3.0
8x10.8	2.5	4.5	4.7
10x10.8	3.8	4.8	4.7



WT (Wide Terminations) Anti-Vibration Test	
Test Method	Direction: X, Y, Z axis Frequency & Duration: 5 to 2000Hz reciprocation for 20 minutes, 2 hours each direction Peak to Peak Amplitude: 5mm Peak Acceleration: 30G Sweep Type: Log
Δ Capacitance	Within ± 10% of initial value
Tangent of Loss	≤ Specified value
Leakage Current	≤ Specified value

RECOMMENDED REFLOW SOLDERING PROFILE



PEAK TEMPERATURES AND DURATIONS

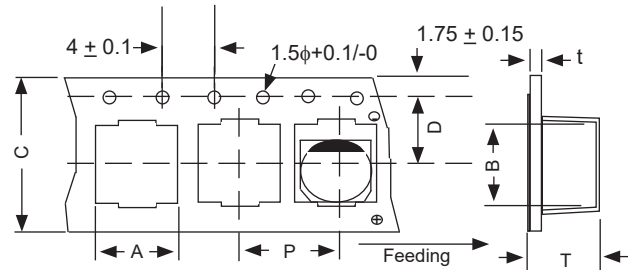
Diameter	Preheat (120 sec. max.)	Time above 200°C	Time above 217°C	Time above 230°C	Peak Temperature	Number of Reflow Passes
6.3 ~ 10mm	150°C ~ 190°C	100 sec. max.	80 sec. max.	40 sec. max.	250°C/5 sec.	2x*
	150°C ~ 180°C	60 sec. max.	50 sec. max.	40 sec. max.	260°C/instantaneous	1x

*Two reflow passes are permissible with a cool down to room temperature required between the first and second pass.

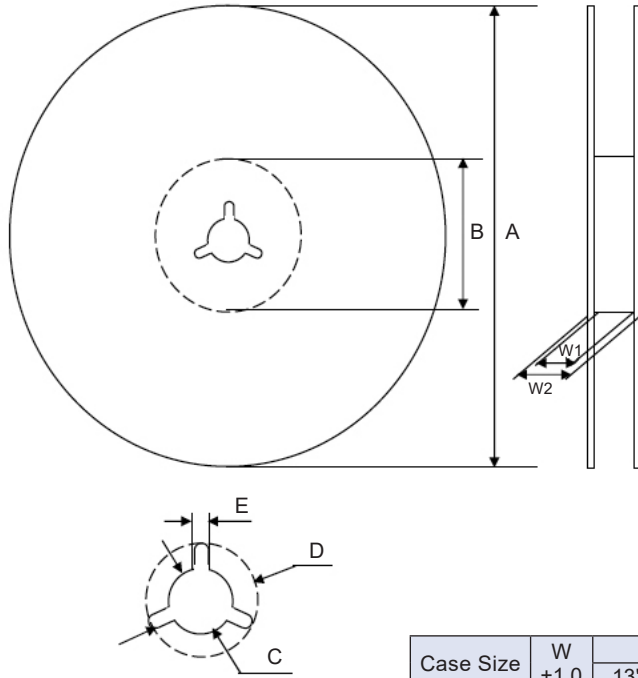
TAPING SPECIFICATIONS (mm)

- Both Leader and Trailer tape: Minimum 40mm (1.57") empty carrier tape pockets.
- Leader tape: Approximately 20cm of cover tape at leader.
- Connection: Maximum 3 connections (slices) per reel.

Case Size	A ±0.5	B ±0.5	C ±0.3	D ±0.1	P ±0.1	T ±0.2	t max.
6.3x6.3	7.0	7.0	16.0	7.5	12.0	6.5	0.4
6.3x8	7.0	7.0	16.0	7.5	12.0	8.2	0.4
8x10.8	8.7	8.7	24.0	11.5	16.0	11.1	0.4
10x10.8	10.7	10.7	24.0	11.5	16.0	11.2	0.4



Preferred V-Chip 15" (380mm) Reels (TR15 suffix)



Dimensions (mm)

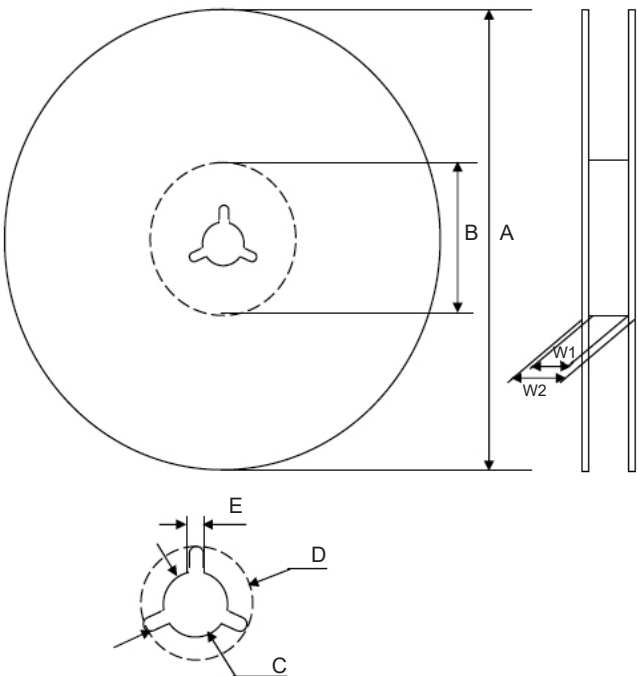
Case Size	Tape Width	W1	W2
6.3x6.3, 6.3x8	16.0	16.5 ~ 18.5	19.5 ~ 24.0
8x10.5, 10x10.5	24.0	24.5 ~ 26.5	27.5 ~ 32.0

Case Size	Tape Width	A	B	C	D	E
6.3x6.3, 6.3x8	16.0	$\phi 380$ ± 2	$\phi 80 \sim 105$	$\phi 13$ ± 0.5	$\phi 21$ ± 1.0	2.0 ± 0.5
8x10.5, 10x10.5	24.0					

Color
Black

Case Size	W ± 1.0	Qty per Reel	
		13" (330mm)	15" (380mm)
6.3x6.3	18	800	1,000
6.3x8	18	500	900
8x10.8	26	300	500
10x10.8	26	300	500

Optional V-Chip 13" (330mm) Reels (TR13 suffix)



Dimensions (mm)

Case Size	Tape Width	W1	W2
6.3x6.3, 6.3x8	16.0	16.4 ~ 18.5	19.5 ~ 24.0
8x10.5, 10x10.5	24.0	24.4 ~ 26.5	27.5 ~ 32.0

Case Size	Tape Width	A	B	C	D	E
6.3x6.3, 6.3x8	16.0	$\phi 330$ ± 2.0	$\phi 50 \sim 105$	$\phi 13$ ± 0.5	$\phi 21$ ± 1.0	2.0 ± 0.5
8x10.5, 10x10.5	24.0					

Color
Black

X-ON Electronics

Largest Supplier of Electrical and Electronic Components

Click to view similar products for [nic manufacturer](#):

Other Similar products are found below :

[NMC0603NPO0R6B50TRPF](#) [NMC0603NPO270J100TRPF](#) [NMC1206X5R226K6.3TRPLP2KF](#) [NRE-S100M25V4X7F](#) [NRE-
HS102M25V12.5X16F](#) [NRCA12F1001TRQYF](#) [NRC-S06F2212TRF](#) [NCD180J1KVNPOJTRF](#) [NRC-S06F1692TRF](#)
[NCD102M1KVZ5U.250STRF](#) [NTC-T105K20TRAF](#) [NMC-P1206X7R104K100TRPF](#) [NMC-H1206NPO471K1KVTRPLPF](#) [NML04J9N1TRF](#)
[NRSNA4I4J150TR40KF](#) [NCC0805F261HTRF](#) [NRWA470M35V6.3X11TBF](#) [NACE221M16V6.3X8TR13F](#) [NRSS332M50V18X35.5F](#)
[NDTM106K25F1TRF](#) [NACZ221M50V10X10.5TR13F](#) [NCM15X7R103K50F](#) [NCD103M1KVZ5UF](#) [NRSS682M25V18X35.5F](#)
[NEXC224Z5.5V10.5X8.5TRF](#) [NRLRW221M450V30X35SF](#) [NDTM225K50F2TRF](#) [NEXT105Z5.5V21.5X13F](#) [NRSZ471M50V12.5X20F](#)
[NTCL106K35TRDF](#) [NRWA331M25V10X12.5F](#) [NRSY472M25V16X31.5F](#) [NEXS105Z5.5V28.5X14F](#) [NRLR181M400V25X30SF](#)
[NRSZ102M25V12.5X20F](#) [NUVA33T385TRF](#) [NUVA33V405TRF](#) [NRLMW331M250V30X25F](#) [NRLF103M25V35X20F](#) [NDTM106K35F](#)
[NRLMW102M200V35X35F](#) [NPIS43LS220MTRF](#) [NDTM476K35F2F](#) [NTC-T475K50TRDF](#) [NCD222M1KVZ5UKF](#)
[NRLR472M63V25X40SF](#) [NTP157M10TRD\(40\)F](#) [NPIM74C3R3MTRF](#) [NPI104C100MTRF](#) [NRLM102M100V25X25F](#)