

ALUMINUM ELECTROLYTIC CAPACITORS

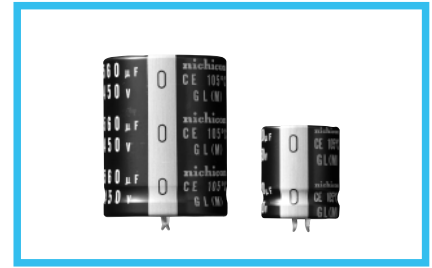
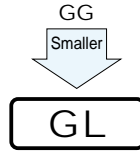


GL series

Snap-in Terminal Type, 105°C Ultra-Smaller-Sized



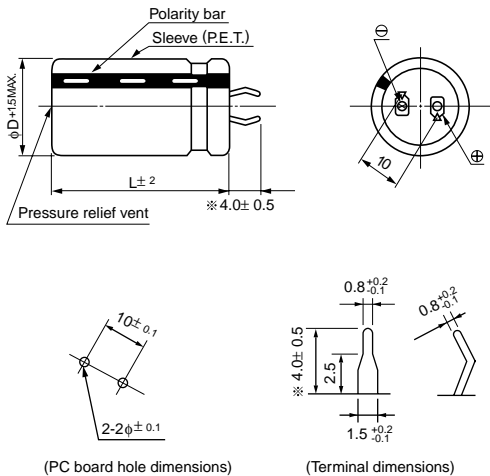
- One rank smaller case sized than GG series.
- Suited for equipment down sizing.
- Compliant to the RoHS directive (2011/65/EU).



Specifications

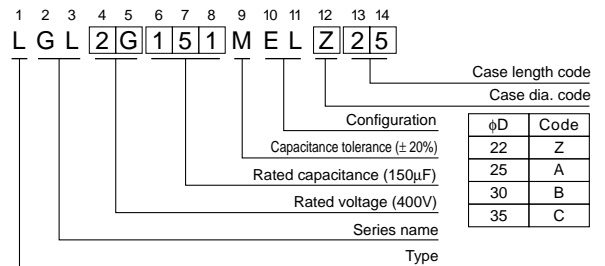
| Item | Performance Characteristics | | | |
|-------------------------------|---|-----------------|---------------------------------------|---|
| Category Temperature Range | - 25 to +105°C | | | |
| Rated Voltage Range | 400 · 450V | | | |
| Rated Capacitance Range | 120 to 1000μF | | | |
| Capacitance Tolerance | ±20% at 120Hz, 20°C | | | |
| Leakage Current | $I \leq 3\sqrt{CV}$ (μA) (After 5 minutes' application of rated voltage) [C : Rated Capacitance (μF) V : Voltage (V)] | | | |
| Tangent of loss angle (tan δ) | Rated voltage (V) | 400 450 | Measurement frequency : 120Hz at 20°C | |
| | tan δ (MAX.) | 0.15 0.20 | | |
| Stability at Low Temperature | Rated voltage (V) | | Measurement frequency : 120Hz | |
| | Impedance ratio ZT/Z20 (MAX.) | Z - 25°C/Z+20°C | | 8 |
| Endurance | The specifications listed at right shall be met when the capacitors are restored to 20°C after D.C. bias plus rated ripple current is applied for 2000 hours at 105°C, the peak voltage shall not exceed the rated voltage. | | Capacitance change | Within ±20% of the initial capacitance value |
| | | | tan δ | 200% or less than the initial specified value |
| | | | Leakage current | Less than or equal to the initial specified value |
| Shelf Life | After storing the capacitors under no load at 105°C for 1000 hours and then performing voltage treatment based on JIS C 5101-4 clause 4.1 at 20°C, they shall meet the characteristic requirements listed at right. | | Capacitance change | Within ±20% of the initial capacitance value |
| | | | tan δ | 200% or less than the initial specified value |
| | | | Leakage current | Less than or equal to the initial specified value |
| Marking | Printed with white color letter on black sleeve. | | | |

Drawing



※ The other terminal is also available upon request. Please refer page 328 for schematic of dimensions.

Type numbering system (Example : 400V 150μF)



Frequency coefficient of rated ripple current

| Frequency (Hz) | 50 | 60 | 120 | 300 | 1 k | 10k | 50k or more |
|----------------|------------|------|------|------|------|------|-------------|
| Coeff. | 400 - 450V | 0.77 | 0.82 | 1.00 | 1.16 | 1.30 | 1.43 |

Minimum order quantity : 50pcs.

● Dimension table in next page.

■ Dimensions

| 400V (2G) | | | | |
|-----------|-----------------|-------------------|----------------------|----------------|
| Cap. (μF) | Size φD × L(mm) | Rated ripple (mA) | Leakage Current (mA) | Code |
| 150 | 22 × 25 | 730 | 0.73 | LGL2G151MELZ25 |
| 220 | 22 × 30 | 780 | 0.88 | LGL2G221MELZ30 |
| | 25 × 25 | 780 | 0.88 | LGL2G221MELA25 |
| 270 | 22 × 35 | 910 | 0.98 | LGL2G271MELZ35 |
| | 25 × 30 | 910 | 0.98 | LGL2G271MELA30 |
| 330 | 22 × 45 | 1070 | 1.08 | LGL2G331MELZ45 |
| | 25 × 35 | 1070 | 1.08 | LGL2G331MELA35 |
| | 30 × 25 | 1040 | 1.08 | LGL2G331MELB25 |
| 390 | 22 × 50 | 1230 | 1.18 | LGL2G391MELZ50 |
| | 25 × 40 | 1230 | 1.18 | LGL2G391MELA40 |
| | 30 × 30 | 1230 | 1.18 | LGL2G391MELB30 |
| | 35 × 25 | 1180 | 1.18 | LGL2G391MELC25 |
| 470 | 25 × 45 | 1500 | 1.30 | LGL2G471MELA45 |
| | 30 × 35 | 1500 | 1.30 | LGL2G471MELB35 |
| 560 | 30 × 40 | 1660 | 1.41 | LGL2G561MELB40 |
| | 35 × 30 | 1660 | 1.41 | LGL2G561MELC30 |
| 680 | 30 × 45 | 1740 | 1.56 | LGL2G681MELB45 |
| | 35 × 35 | 1740 | 1.56 | LGL2G681MELC35 |
| 820 | 30 × 50 | 1920 | 1.71 | LGL2G821MELB50 |
| | 35 × 40 | 1920 | 1.71 | LGL2G821MELC40 |
| 1000 | 35 × 50 | 2200 | 1.89 | LGL2G102MELC50 |

| 450V (2W) | | | | |
|-----------|-----------------|-------------------|----------------------|----------------|
| Cap. (μF) | Size φD × L(mm) | Rated ripple (mA) | Leakage Current (mA) | Code |
| 120 | 22 × 25 | 690 | 0.69 | LGL2W121MELZ25 |
| 150 | 22 × 30 | 740 | 0.77 | LGL2W151MELZ30 |
| | 25 × 25 | 740 | 0.77 | LGL2W151MELA25 |
| 180 | 22 × 35 | 770 | 0.85 | LGL2W181MELZ35 |
| | 25 × 30 | 770 | 0.85 | LGL2W181MELA30 |
| 220 | 22 × 40 | 850 | 0.94 | LGL2W221MELZ40 |
| | 25 × 35 | 850 | 0.94 | LGL2W221MELA35 |
| | 30 × 25 | 820 | 0.94 | LGL2W221MELB25 |
| 270 | 22 × 45 | 930 | 1.04 | LGL2W271MELZ45 |
| | 25 × 40 | 930 | 1.04 | LGL2W271MELA40 |
| | 30 × 30 | 930 | 1.04 | LGL2W271MELB30 |
| 330 | 25 × 45 | 1120 | 1.15 | LGL2W331MELA45 |
| | 30 × 35 | 1120 | 1.15 | LGL2W331MELB35 |
| | 35 × 25 | 1070 | 1.15 | LGL2W331MELC25 |
| 390 | 25 × 50 | 1280 | 1.25 | LGL2W391MELA50 |
| | 30 × 40 | 1280 | 1.25 | LGL2W391MELB40 |
| | 35 × 30 | 1280 | 1.25 | LGL2W391MELC30 |
| 470 | 30 × 45 | 1480 | 1.37 | LGL2W471MELB45 |
| | 35 × 35 | 1480 | 1.37 | LGL2W471MELC35 |
| 560 | 30 × 50 | 1660 | 1.50 | LGL2W561MELB50 |
| | 35 × 40 | 1660 | 1.50 | LGL2W561MELC40 |
| 680 | 35 × 45 | 1770 | 1.65 | LGL2W681MELC45 |
| 820 | 35 × 50 | 1930 | 1.82 | LGL2W821MELC50 |

Rated ripple current (mA_{rms}) at 105°C 120Hz

X-ON Electronics

Largest Supplier of Electrical and Electronic Components

Click to view similar products for [Aluminium Electrolytic Capacitors - Snap In](#) category:

Click to view products by [Nichicon](#) manufacturer:

Other Similar products are found below :

[NRLF103M25V35X20F](#) [EET-XB2W221LA](#) [LGQ2C681MELEDE](#) [108LMB200M2ED](#) [B41231C4229M](#) [LGM2W181MELA25](#) [MVK-25VC33-M-6.3*5](#) [ALC40F1012DH](#) [ALC40E1004EL](#) [LGZ2W151MELB40](#) [LGZ2W271MELC45](#) [LGZ2W221MELC40](#) [LGZ2W151MELC30](#) [LGZ2W121MELC25](#) [ALA8DA561EF500](#) [DCMC142T250AB2A](#) [ESMH630VSN123MA45U](#) [ESMH630VRT183MB50U](#) [E81D251VNN331MQ35U](#) [ELXS451VNN820MP25S](#) [ESMM181VSN402QA70U](#) [ELXG160VNN562MP25S](#) [ELXG160VSN562MP25S](#) [ESMH160VNN104MA80U](#) [450MXG82MEFCSN22X25](#) [EKMW421VSN391MQ45S](#) [KN821M25035*30C](#) [152EC0351](#) [152EC0343](#) [152EC0354](#) [TLS450V220M35*25](#) [KS200M821SI225*35TA-1B1ET](#) [KM450M101SI222*30TA-1A3ET](#) [400MXC220MEFCSN35X25](#) [TDA63V4700M22*50 V](#) [HP221M450N350AP4](#) [152EC0329](#) [LAO-50V103MS45PX#B](#) [152EC0566](#) [KN331M45035*30A](#) [KN821M45035*56P4](#) [450USC330MEFCSN25X50](#) [HP471M250N300AP4](#) [TLS500V100M25.4*30 V](#) [KN331M40030*30A](#) [TLS315VS470M30*30 VS](#) [KM250M471SI225*35TA-1B3Et](#) [KS400M151SI222*30TA-1A1ET](#) [152EC0337](#) [TDA35VS4700M22*30 VS](#)