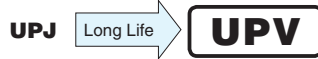
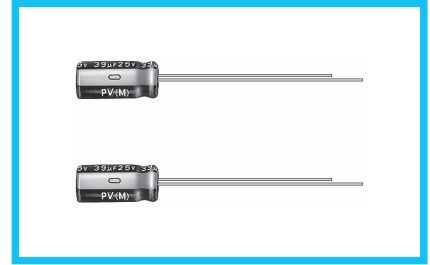


ALUMINUM ELECTROLYTIC CAPACITORS

UPV Miniature Sized, Low Impedance,
High Reliability



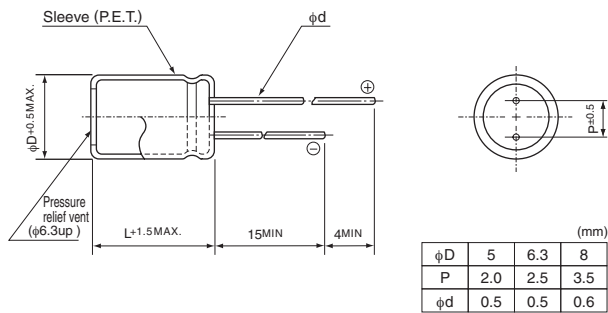
- Miniature sized low impedance series withstanding 5000 hours load life at +105°C.
- Compliant to the RoHS directive (2011/65/EU,(EU)2015/863).



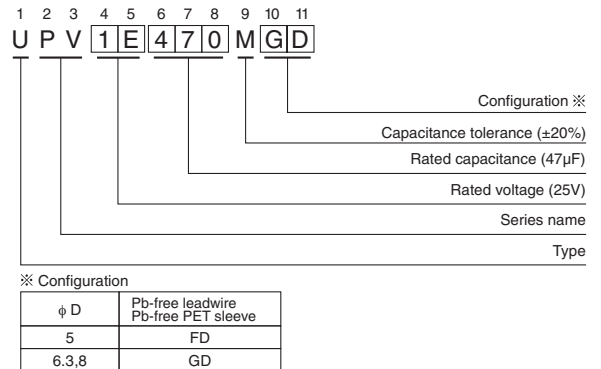
Specifications

| Item | Performance Characteristics | | | | | | | | |
|-------------------------------|--|-----------------|--------------------|---|------|------|------|----|---|
| Category Temperature Range | -55 to +105°C | | | | | | | | |
| Rated Voltage Range | 6.3 to 50V | | | | | | | | |
| Rated Capacitance Range | 1.5 to 390µF | | | | | | | | |
| Capacitance Tolerance | ±20% at 120Hz, 20°C | | | | | | | | |
| Leakage Current | After 1 minute's application of rated voltage at 20°C, leakage current is not more than 0.03CV or 4 (µA), whichever is greater. | | | | | | | | |
| Tangent of loss angle (tan δ) | Measurement frequency : 120Hz at 20°C | | | | | | | | |
| | Rated voltage (V) | 6.3 | 10 | 16 | 25 | 35 | 50 | | |
| | tan δ (MAX.) | 0.22 | 0.19 | 0.16 | 0.14 | 0.12 | 0.10 | | |
| Stability at Low Temperature | Measurement frequency : 120Hz | | | | | | | | |
| | Rated voltage (V) | 6.3 | | 10 | 16 | 25 | 35 | 50 | |
| | Impedance ratio (MAX.) | Z-55°C / Z+20°C | | 5 | 5 | 4 | 3 | 3 | 2 |
| Endurance | The specifications listed at right shall be met when the capacitors are restored to 20°C after the rated voltage is applied for 5000 hours at 105°C. | | Capacitance change | Within ±30% of the initial capacitance value | | | | | |
| | | | tan δ | 300% or less than the initial specified value | | | | | |
| | | | Leakage current | Less than or equal to the initial specified value | | | | | |
| Shelf Life | After storing the capacitors under no load at 105°C for 1000 hours and then performing voltage treatment based on JIS C 5101-4 clause 4.1 at 20°C, they shall meet the specified values for the endurance characteristics listed at right. | | Capacitance change | Within ±20% of the initial capacitance value | | | | | |
| | | | tan δ | 150% or less than the initial specified value | | | | | |
| | | | Leakage current | Less than or equal to the initial specified value | | | | | |
| Marking | Printed with white color letter on dark brown sleeve. | | | | | | | | |

Radial Lead Type

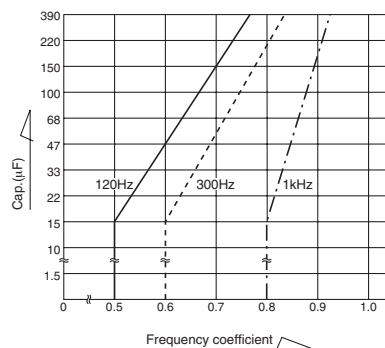


Type numbering system (Example : 25V 47µF)



• Please refer to page 18 about the end seal configuration.

- Frequency coefficient of rated ripple current (10kHz to 200kHz=1)



• Dimension table in next page.

UPV

■ Dimensions

| Rated Voltage (V) (code) | Rated Capacitance (μF) | Case Size φD×L (mm) | tan δ | Leakage Current (μA) (at 20°C after 1 minute) | Impedance (Ω) MAX. (20°C/100kHz) | Rated Ripple (mA) (105°C/100kHz) | Part Number |
|-----------------------------|------------------------|---------------------|-------|--|--|-------------------------------------|-------------|
| 6.3 (0J) | 100 | 5×11 | 0.22 | 18.9 | 1.50 | 150 | UPV0J101MFD |
| | 120 | 5×11 | 0.22 | 22.68 | 1.10 | 175 | UPV0J121MFD |
| | 150 | 6.3×11 | 0.22 | 28.35 | 0.83 | 225 | UPV0J151MGD |
| | 180 | 6.3×11 | 0.22 | 34.02 | 0.66 | 250 | UPV0J181MGD |
| | 220 | 6.3×11 | 0.22 | 41.58 | 0.51 | 285 | UPV0J221MGD |
| | 270 | 8×11.5 | 0.22 | 51.03 | 0.41 | 370 | UPV0J271MGD |
| | 330 | 8×11.5 | 0.22 | 62.37 | 0.34 | 405 | UPV0J331MGD |
| | 390 | 8×11.5 | 0.22 | 73.71 | 0.29 | 445 | UPV0J391MGD |
| 10 (1A) | 68 | 5×11 | 0.19 | 20.4 | 1.40 | 155 | UPV1A680MFD |
| | 82 | 5×11 | 0.19 | 24.6 | 1.10 | 175 | UPV1A820MFD |
| | 100 | 6.3×11 | 0.19 | 30 | 0.94 | 210 | UPV1A101MGD |
| | 120 | 6.3×11 | 0.19 | 36 | 0.75 | 235 | UPV1A121MGD |
| | 150 | 6.3×11 | 0.19 | 45 | 0.60 | 265 | UPV1A151MGD |
| | 180 | 6.3×11 | 0.19 | 54 | 0.49 | 290 | UPV1A181MGD |
| | 220 | 8×11.5 | 0.19 | 66 | 0.41 | 370 | UPV1A221MGD |
| | 270 | 8×11.5 | 0.19 | 81 | 0.34 | 405 | UPV1A271MGD |
| | 330 | 8×11.5 | 0.19 | 99 | 0.27 | 460 | UPV1A331MGD |
| 16 (1C) | 47 | 5×11 | 0.16 | 22.56 | 1.40 | 155 | UPV1C470MFD |
| | 56 | 5×11 | 0.16 | 26.88 | 1.10 | 175 | UPV1C560MFD |
| | 68 | 6.3×11 | 0.16 | 32.64 | 0.85 | 220 | UPV1C680MGD |
| | 82 | 6.3×11 | 0.16 | 39.36 | 0.71 | 240 | UPV1C820MGD |
| | 100 | 6.3×11 | 0.16 | 48 | 0.60 | 265 | UPV1C101MGD |
| | 120 | 6.3×11 | 0.16 | 57.6 | 0.49 | 290 | UPV1C121MGD |
| | 150 | 8×11.5 | 0.16 | 72 | 0.39 | 375 | UPV1C151MGD |
| | 180 | 8×11.5 | 0.16 | 86.4 | 0.34 | 405 | UPV1C181MGD |
| | 220 | 8×11.5 | 0.16 | 105.6 | 0.27 | 460 | UPV1C221MGD |
| 25 (1E) | 33 | 5×11 | 0.14 | 24.75 | 1.40 | 155 | UPV1E330MFD |
| | 39 | 5×11 | 0.14 | 29.25 | 1.10 | 175 | UPV1E390MFD |
| | 47 | 6.3×11 | 0.14 | 35.25 | 0.94 | 210 | UPV1E470MGD |
| | 56 | 6.3×11 | 0.14 | 42 | 0.75 | 235 | UPV1E560MGD |
| | 68 | 6.3×11 | 0.14 | 51 | 0.61 | 260 | UPV1E680MGD |
| | 82 | 6.3×11 | 0.14 | 61.5 | 0.51 | 285 | UPV1E820MGD |
| | 100 | 8×11.5 | 0.14 | 75 | 0.41 | 370 | UPV1E101MGD |
| | 120 | 8×11.5 | 0.14 | 90 | 0.34 | 405 | UPV1E121MGD |
| | 150 | 8×11.5 | 0.14 | 112.5 | 0.27 | 460 | UPV1E151MGD |

For cut leads, formed leads or taped parts, please add the appropriate code after the size code (12th digit).
If there is no size code in the part number, please add size code "1" and then add the appropriate code.

UPV

■ Dimensions

| Rated Voltage (V) (code) | Rated Capacitance (μF) | Case Size φD×L (mm) | tan δ | Leakage Current (μA) (at 20°C after 1 minute) | Impedance (Ω) MAX. (20°C/100kHz) | Rated Ripple (mArms) (105°C/100kHz) | Part Number |
|--------------------------|------------------------|---------------------|-------|---|----------------------------------|-------------------------------------|-------------|
| 35 (1V) | 22 | 5×11 | 0.12 | 23.1 | 1.30 | 160 | UPV1V220MFD |
| | 27 | 5×11 | 0.12 | 28.35 | 1.00 | 180 | UPV1V270MFD |
| | 33 | 6.3×11 | 0.12 | 34.65 | 0.83 | 225 | UPV1V330MGD |
| | 39 | 6.3×11 | 0.12 | 40.95 | 0.70 | 245 | UPV1V390MGD |
| | 47 | 6.3×11 | 0.12 | 49.35 | 0.58 | 270 | UPV1V470MGD |
| | 56 | 6.3×11 | 0.12 | 58.8 | 0.48 | 295 | UPV1V560MGD |
| | 68 | 8×11.5 | 0.12 | 71.4 | 0.41 | 370 | UPV1V680MGD |
| | 82 | 8×11.5 | 0.12 | 86.1 | 0.32 | 415 | UPV1V820MGD |
| | 100 | 8×11.5 | 0.12 | 105 | 0.27 | 460 | UPV1V101MGD |
| 50 (1H) | 1.5 | 5×11 | 0.10 | 4 | 11.00 | 45 | UPV1H1R5MFD |
| | 2.2 | 5×11 | 0.10 | 4 | 7.00 | 54 | UPV1H2R2MFD |
| | 3.3 | 5×11 | 0.10 | 4.95 | 4.60 | 66 | UPV1H3R3MFD |
| | 4.7 | 5×11 | 0.10 | 7.05 | 3.10 | 81 | UPV1H4R7MFD |
| | 6.8 | 5×11 | 0.10 | 10.2 | 2.50 | 91 | UPV1H6R8MFD |
| | 10 | 5×11 | 0.10 | 15 | 2.00 | 115 | UPV1H100MFD |
| | 12 | 5×11 | 0.10 | 18 | 1.70 | 125 | UPV1H120MFD |
| | 15 | 5×11 | 0.10 | 22.5 | 1.30 | 145 | UPV1H150MFD |
| | 18 | 5×11 | 0.10 | 27 | 1.10 | 155 | UPV1H180MFD |
| | 22 | 6.3×11 | 0.10 | 33 | 0.91 | 195 | UPV1H220MGD |
| | 27 | 6.3×11 | 0.10 | 40.5 | 0.74 | 215 | UPV1H270MGD |
| | 33 | 6.3×11 | 0.10 | 49.5 | 0.60 | 240 | UPV1H330MGD |
| | 39 | 6.3×11 | 0.10 | 58.5 | 0.50 | 260 | UPV1H390MGD |
| | 47 | 8×11.5 | 0.10 | 70.5 | 0.42 | 330 | UPV1H470MGD |
| | 56 | 8×11.5 | 0.10 | 84 | 0.35 | 360 | UPV1H560MGD |
| 68 | 8×11.5 | 0.10 | 102 | 0.28 | 410 | UPV1H680MGD | |

For cut leads, formed leads or taped parts, please add the appropriate code after the size code (12th digit).
If there is no size code in the part number, please add size code "1" and then add the appropriate code.

Please refer to page 18, 19 about the formed or taped product spec.
Please refer to page 4 for the minimum order quantity.

X-ON Electronics

Largest Supplier of Electrical and Electronic Components

Click to view similar products for [Aluminum Electrolytic Capacitors - Leaded](#) category:

Click to view products by [Nichicon](#) manufacturer:

Other Similar products are found below :

[LXY50VB4.7M-5X11](#) [MAL203125221E3](#) [MAL204216159E3](#) [RBC-25V-10UF-4X7](#) [RE3-35V222MJ6#](#) [RFO-100V471MJ7P#](#)
[B41041A2687M8](#) [B41041A7226M8](#) [B41044A7157M6](#) [EKRG250ELL100MD07D](#) [EKXG201EC3101ML20S](#) [EKZM160ETD471MHB5D](#)
[EPA-201ELL151MM25S](#) [NCD681K10KVY5PF](#) [NRLF103M25V35X20F](#) [KM4700/16](#) [KME50VB100M-8X11.5](#) [SG220M1CSA-0407](#)
[ES5107M016AE1DA](#) [ESMG160ETD102MJ16S](#) [ESX472M16B](#) [MAL211929479E3](#) [40D506F050DF5A](#) [36DA273F050BB2A](#)
[KME25VB100M-6.3X11](#) [052687X](#) [EKMA500ELL4R7ME07D](#) [NRE-S560M16V6.3X7TBSTF](#) [ERZA630VHN182UP54N](#)
[MAL214099813E3](#) [MAL211990518E3](#) [MAL204281229E3](#) [NEV680M35EF](#) [686KXM050M](#) [ERS1VM222L30OT](#) [EGW2GM150W16OT](#)
[EGS2GM6R8G12OC](#) [EHS2GM220W20OT](#) [ERF1VM222L30OT](#) [ERF1KM151G20OT](#) [RGA221M1HBK-1016G](#) [NXH 35V1800 16x20](#)
[EWH2DM471M40OT](#) [LKFB41E470MF](#) [LKMJ3551H332MF](#) [LKMJ2002E151MF](#) [LKMJ2502G820MF](#) [LKML3502A331MF](#)
[LKMB0901J180MF](#) [LKMB0901J2R2MF](#)