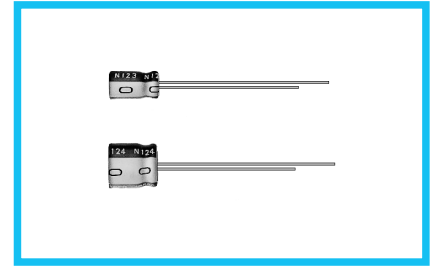


ALUMINUM ELECTROLYTIC CAPACITORS

SF 7mmL, Low Impedance series



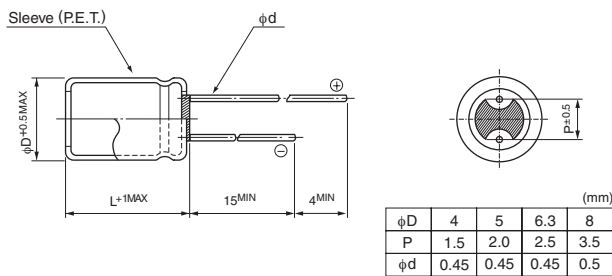
- Low impedance over wide temperature range of -55 to +105°C, with 7mm height.
- Compliant to the RoHS directive (2011/65/EU).



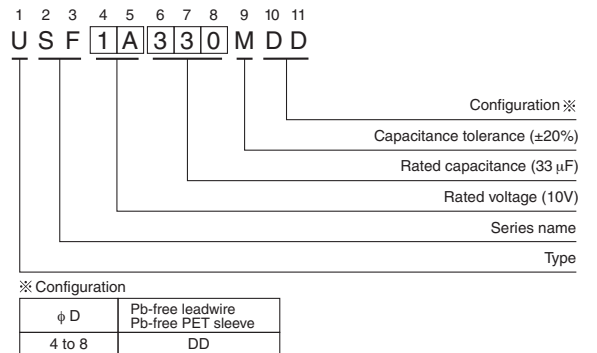
Specifications

Item	Performance Characteristics					
Category Temperature Range	-55 to +105°C					
Rated Voltage Range	6.3 to 35V					
Rated Capacitance Range	6.8 to 220μF					
Capacitance Tolerance	±20% at 120Hz, 20°C					
Leakage Current	After 2 minutes' application of rated voltage at 20°C, leakage current is not more than 0.01CV or 3(μA), whichever is greater.					
Tangent of loss angle (tan δ)	Measurement frequency : 120Hz, Temperature : 20°C					
	Rated voltage (V)	6.3	10	16	25	35
Stability at Low Temperature	tan δ (MAX.)	0.18	0.16	0.14	0.12	0.12
	Measurement frequency : 120Hz					
	Rated voltage (V)	6.3	10	16	25	35
Endurance	Impedance ratio	Z-25°C / Z+20°C	2	2	2	2
	ZT / Z20 (MAX.)	Z-55°C / Z+20°C	3	3	3	3
Shelf Life	The specifications listed at right shall be met when the capacitors are restored to 20°C after the rated voltage is applied for 1000 hours at 105°C.		Capacitance change			
			Within ±20% of the initial capacitance value			
			tan δ			
Marking			200% or less than the initial specified value			
			Leakage current			
		Less than or equal to the initial specified value				
Marking	After storing the capacitors under no load at 105°C for 1000 hours and then performing voltage treatment based on JIS C 5101-4 clause 4.1 at 20°C, they shall meet the specified values for the endurance characteristics listed above.					
Marking	Printed with white color letter on dark brown sleeve.					

Radial Lead Type



Type numbering system (Example : 10V 33μF)



Dimensions

Cap. (μF)	V	6.3			10			16			25			35		
		Code	0J		1A		1C		1E		1V		Case size φD × L (mm)	Impe- dance	Rated ripple	
6.8	6R8															
10	100															
15	150							4 × 7	3.3	70	4 × 7	3.3	70	5 × 7	1.7	110
22	220							5 × 7	1.7	110	5 × 7	1.7	110	6.3 × 7	0.8	160
33	330	5 × 7	1.7	110	5 × 7	1.7	110	6.3 × 7	0.8	160	6.3 × 7	0.8	160	8 × 7	0.5	200
47	470	5 × 7	1.7	110	6.3 × 7	0.8	160	6.3 × 7	0.8	160	8 × 7	0.5	200			
68	680	6.3 × 7	0.8	160	6.3 × 7	0.8	160	8 × 7	0.5	200	8 × 7	0.5	200			
100	101	6.3 × 7	0.8	160	8 × 7	0.5	200	8 × 7	0.5	200						
150	151	8 × 7	0.5	200	8 × 7	0.5	200									
220	221	8 × 7	0.5	200												

Max. Impedance (Ω) at 20°C 100kHz
 Rated ripple current (mArms) at 105°C 100kHz

Frequency coefficient of rated ripple current

Frequency	50 Hz	120 Hz	300 Hz	1 kHz	10 kHz or more
Coefficient	0.35	0.50	0.64	0.83	1.00

Please refer to page 20, 21, 22 about the formed or taped product spec.
 Please refer to page 4 for the minimum order quantity.

X-ON Electronics

Largest Supplier of Electrical and Electronic Components

Click to view similar products for [Aluminum Electrolytic Capacitors - Leaded](#) category:

Click to view products by [Nichicon](#) manufacturer:

Other Similar products are found below :

[LXY50VB4.7M-5X11](#) [MAL203125221E3](#) [MAL204216159E3](#) [ESMG101ETD100MF11S](#) [RBC-25V-10UF-4X7](#) [RE3-35V222MJ6#](#) [RFO-100V471MJ7P#](#) [B41041A2687M8](#) [B41041A7226M8](#) [B41044A7157M6](#) [EKRG250ELL100MD07D](#) [EKXG201EC3101ML20S](#)
[EKXG351ETD6R8MJ16S](#) [EKZM160ETD471MHB5D](#) [EPA-201ELL151MM25S](#) [NCD681K10KVY5PF](#) [NRLF103M25V35X20F](#)
[KM4700/16](#) [KME50VB100M-8X11.5](#) [RXJ222M1EBK-1625](#) [SG220M1CSA-0407](#) [ES5107M016AE1DA](#) [ESX472M16B](#) [MAL211929479E3](#)
[40D506F050DF5A](#) [TE1202E](#) [36DA273F050BB2A](#) [KME25VB100M-6.3X11](#) [511D336M250EK5D](#) [511D337M035CG4D](#)
[515D477M035CG8PE3](#) [052687X](#) [EKMA500ELL4R7ME07D](#) [EKRG100ETC221MF09D](#) [NRE-S560M16V6.3X7TBSTF](#)
[ERZA630VHN182UP54N](#) [MAL214099813E3](#) [MAL211990518E3](#) [MAL204281229E3](#) [NEV680M35EF](#) [686KXM050M](#) [ERS1VM222L30OT](#)
[EGW2GM150W16OT](#) [EGS2GM6R8G12OC](#) [EHS2GM220W20OT](#) [ERF1VM222L30OT](#) [ERF1KM151G20OT](#) [EKZE500ELL101MHB5D](#)
[EKMM251VSN221MP25S](#) [RGA221M1HBK-1016G](#)