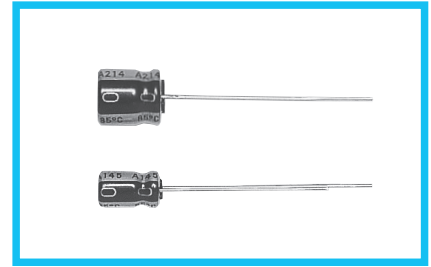
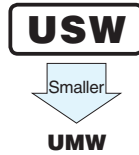


USW 7mmL, For Audio Equipment



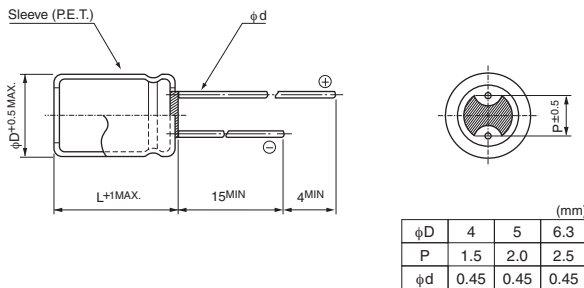
- Acoustic series, with 7mm height.
- Compliant to the RoHS directive (2011/65/EU).



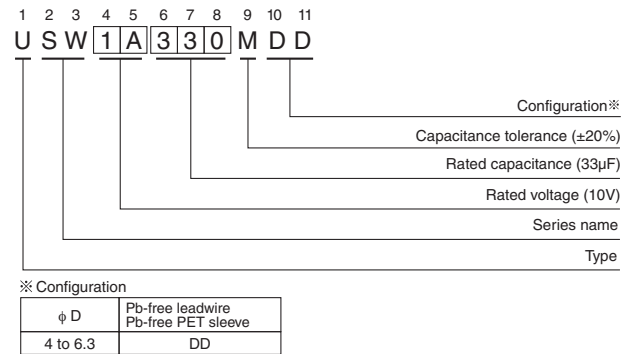
Specifications

| Item | Performance Characteristics | | | | | | |
|-------------------------------|--|---|----|----|----|----|----|
| Category Temperature Range | -40 to +85°C | | | | | | |
| Rated Voltage Range | 6.3 to 50V | | | | | | |
| Rated Capacitance Range | 1 to 220μF | | | | | | |
| Capacitance Tolerance | ±20% at 120Hz, 20°C | | | | | | |
| Leakage Current | After 2 minutes' application of rated voltage at 20°C, leakage current is not more than 0.01CV or 3 (μA), whichever is greater. | | | | | | |
| Tangent of loss angle (tan δ) | Measurement frequency : 120Hz at 20°C | | | | | | |
| | Rated voltage (V) | 6.3 | 10 | 16 | 25 | 35 | 50 |
| Stability at Low Temperature | Measurement frequency : 120Hz | | | | | | |
| | Rated voltage (V) | 6.3 | 10 | 16 | 25 | 35 | 50 |
| | Impedance ratio | Z-25°C / Z+20°C | 4 | 3 | 2 | 2 | 2 |
| Endurance | The specifications listed at right shall be met when the capacitors are restored to 20°C after the rated voltage is applied for 1000 hours at 85°C. | | | | | | |
| | Capacitance change | Within ±20% of the initial capacitance value | | | | | |
| Shelf Life | After storing the capacitors under no load at 85°C for 1000 hours and then performing voltage treatment based on JIS C 5101-4 clause 4.1 at 20°C, they shall meet the specified values for the endurance characteristics listed above. | | | | | | |
| | tan δ | 200% or less than the initial specified value | | | | | |
| Marking | Printed with black color letter on gold sleeve. | | | | | | |
| | Leakage current | Less than or equal to the initial specified value | | | | | |

Radial Lead Type



Type numbering system (Example : 10V 33μF)



Dimensions

| Cap. (μF) | Code | V 6.3 | | 10 | | 16 | | 25 | | 35 | | 50 | |
|-----------|------|---------|-----|---------|----|---------|----|---------|----|---------|----|--------------------------|--------------|
| | | 0J | | 1A | | 1C | | 1E | | 1V | | 1H | |
| 1 | 010 | | | | | | | | | | | 4 × 7 | 10 |
| 2.2 | 2R2 | | | | | | | | | | | 4 × 7 | 19 |
| 3.3 | 3R3 | | | | | | | | | | | 4 × 7 | 24 |
| 4.7 | 4R7 | | | | | | | | | | | 4 × 7 | 28 |
| 10 | 100 | | | | | 4 × 7 | 28 | 4 × 7 | 28 | 4 × 7 | 24 | 4 × 7 | 38 |
| 22 | 220 | 4 × 7 | 34 | 4 × 7 | 35 | 4 × 7 | 39 | 5 × 7 | 48 | 5 × 7 | 52 | 6.3 × 7 | 58 |
| 33 | 330 | 4 × 7 | 40 | 4 × 7 | 43 | 5 × 7 | 55 | 5 × 7 | 58 | 6.3 × 7 | 65 | | |
| 47 | 470 | 4 × 7 | 48 | 5 × 7 | 59 | 5 × 7 | 65 | 6.3 × 7 | 71 | | | | |
| 100 | 101 | 5 × 7 | 78 | 6.3 × 7 | 87 | 6.3 × 7 | 98 | | | | | | |
| 220 | 221 | 6.3 × 7 | 120 | | | | | | | | | Case size φD × L (mm) | Rated ripple |

Frequency coefficient of rated ripple current

| Frequency | 50Hz | 120Hz | 300Hz | 1kHz | 10kHz or more |
|-------------|------|-------|-------|------|---------------|
| Coefficient | 0.70 | 1.00 | 1.17 | 1.36 | 1.50 |

Rated ripple current (mA rms) at 85°C 120Hz

Please refer to page 20, 21, 22 about the formed or taped product spec.
Please refer to page 4 for the minimum order quantity.

X-ON Electronics

Largest Supplier of Electrical and Electronic Components

Click to view similar products for [Aluminium Electrolytic Capacitors - Radial Leaded](#) category:

Click to view products by [Nichicon](#) manufacturer:

Other Similar products are found below :

[NRELS102M35V16X16C.140LLF](#) [ESRG160ETC100MD07D](#) [227RZS050M](#) [335CKR250M](#) [476CKH100MSA](#) [477CKR100M](#)
[107CKR010M](#) [107CKH063MSA](#) [RJH-25V222MI9#](#) [RJH-35V221MG5#](#) [B43827A1106M8](#) [RJH-50V221MH6#](#) [EKYA500ELL470MF11D](#)
[B41022A5686M6](#) [ESRG250ELL101MH09D](#) [EKMA160EC3101MF07D](#) [RJB-10V471MG3#](#) [ESMG160ETD221MF11D](#)
[EKZH160ETD152MJ20S](#) [RJH-35V122MJ6#](#) [EGXF630ELL621ML20S](#) [RBD-25V100KE3#N](#) [EKMA350ELL100ME07D](#)
[ESMG160ETD101ME11D](#) [ELXY100ETD102MJ20S](#) [EGXF500ELL561ML15S](#) [EKMG350ETD471MJ16S](#) [35YXA330MEFC10X12.5](#)
[RXW471M1ESA-0815](#) [ELXZ630ELL221MJ25S](#) [ERR1HM1R0D11OT](#) [LPE681M30060FVA](#) [LPL471M22030FVA](#) [HFE221M25030FVA](#)
[LKMD1401H221MF](#) [B41888G6108M000](#) [EKMA160ETD470MF07D](#) [UHW1J102MHD6](#) [EKMG500ETD221MJC5S](#) [LKMK2502W101MF](#)
[LKMD1401H181MF](#) [LKMI2502G820MF](#) [LKMJ2001J122MF](#) [LKML2501C472MF](#) [LKMJ4002C681MF](#) [450MXH330MEFCSN25X45](#)
[450MXK330MA2RFC22X50](#) [63ZLH560MEFCG412.5X30](#) [ELH2DM331O25KT](#) [ELH2DM471P30KT](#)