

ALUMINUM ELECTROLYTIC CAPACITORS

UWP

5.5mmL Chip Type, Bi-Polarized



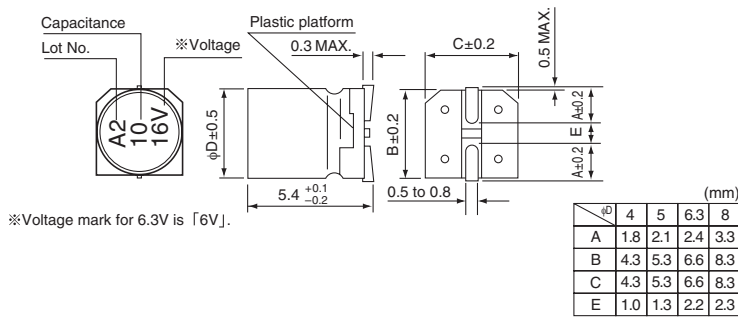
- Designed for surface mounting on high density PC board.
- Applicable to automatic mounting machine fed with carrier tape.
- Compliant to the RoHS directive (2011/65/EU,(EU)2015/863).
- AEC-Q200 compliant. Please contact us for details.



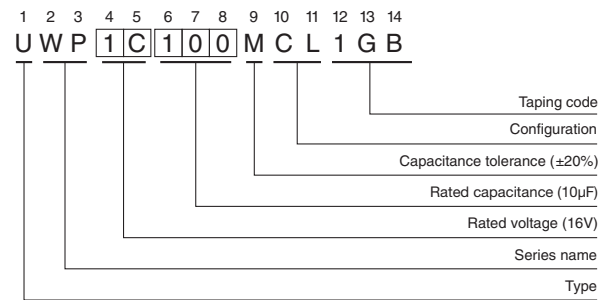
Specifications

Item	Performance Characteristics							
Category Temperature Range	-40 to +85°C							
Rated Voltage Range	6.3 to 50V							
Rated Capacitance Range	0.1 to 100μF							
Capacitance Tolerance	±20% at 120Hz, 20°C							
Leakage Current	After 2 minutes' application of rated voltage at 20°C, leakage current is not more than 0.05CV or 10 (μA) ,whichever is greater.							
Tangent of loss angle (tan δ)	Measurement frequency : 120Hz at 20°C							
	Rated voltage (V)	6.3	10	16	25	35	50	
Stability at Low Temperature	Measurement frequency : 120Hz							
	Rated voltage (V)		6.3	10	16	25	35	50
	Impedance ratio ZT / Z20 (MAX.)	Z-25°C / Z+20°C	4	3	2	2	2	2
Endurance	The specifications listed at right shall be met when the capacitors are restored to 20°C after the rated voltage is applied for 1000 hours at 85°C with the polarity inverted every 250 hours.							
	Capacitance change	Within ±20% of the initial capacitance value						
Shelf Life	After storing the capacitors under no load at 85°C for 1000 hours and then performing voltage treatment based on JIS C 5101-4 clause 4.1 at 20°C, they shall meet the specified values for the endurance characteristics listed above.							
	Capacitance change	Within ±10% of the initial capacitance value						
Resistance to soldering heat	The capacitors are kept on a hot plate for 30 seconds, which is maintained at 250°C. The capacitors shall meet the characteristic requirements listed at right when they are removed from the plate and restored to 20°C.							
	tan δ	Less than or equal to the initial specified value						
Marking	Black print on the case top.							
	Leakage current	Less than or equal to the initial specified value						

Chip Type



Type numbering system (Example : 16V 10μF)



Frequency coefficient of rated ripple current

Frequency	50 Hz	120 Hz	300 Hz	1 kHz	10 kHz or more
Coefficient	0.70	1.00	1.17	1.36	1.50

●Dimension table in next page.

UWP

■ Dimensions

Rated Voltage (V) (code)	Rated Capacitance (μF)	Case Size φD×L (mm)	tan δ	Leakage Current (μA) (at 20°C after 2 minutes)	Rated Ripple (mArms) (85°C/120Hz)	Part Number
6.3 (0J)	22	5×5.4	0.24	10	28	UWP0J220MCL1GB
	33	6.3×5.4	0.24	10.395	37	UWP0J330MCL1GB
	47	6.3×5.4	0.24	14.805	45	UWP0J470MCL1GB
	100	8×5.4	0.24	31.5	82	UWP0J101MCL1GB
10 (1A)	10	4×5.4	0.20	10	17	UWP1A100MCL1GB
	22	6.3×5.4	0.20	11	33	UWP1A220MCL1GB
	33	6.3×5.4	0.20	16.5	41	UWP1A330MCL1GB
	47	8×5.4	0.20	23.5	61	UWP1A470MCL1GB
16 (1C)	4.7	4×5.4	0.17	10	12	UWP1C470MCL1GB
	10	5×5.4	0.17	10	23	UWP1C100MCL1GB
	22	6.3×5.4	0.17	17.6	37	UWP1C220MCL1GB
	33	6.3×5.4	0.17	26.4	49	UWP1C330MCL1GB
	47	8×5.4	0.17	37.6	75	UWP1C470MCL1GB
25 (1E)	3.3	5×5.4	0.17	10	12	UWP1E330MCL1GB
	4.7	5×5.4	0.17	10	16	UWP1E470MCL1GB
	10	6.3×5.4	0.17	12.5	27	UWP1E100MCL1GB
	22	8×5.4	0.17	27.5	50	UWP1E220MCL1GB
	33	8×5.4	0.17	41.25	61	UWP1E330MCL1GB
35 (1V)	2.2	4×5.4	0.15	10	8.4	UWP1V220MCL1GB
	3.3	5×5.4	0.15	10	16	UWP1V330MCL1GB
	4.7	5×5.4	0.15	10	18	UWP1V470MCL1GB
	10	6.3×5.4	0.15	17.5	29	UWP1V100MCL1GB
	22	8×5.4	0.15	38.5	54	UWP1V220MCL1GB
50 (1H)	0.1	4×5.4	0.15	10	1.0	UWP1H010MCL1GB
	0.22	4×5.4	0.15	10	2.0	UWP1HR22MCL1GB
	0.33	4×5.4	0.15	10	2.8	UWP1HR33MCL1GB
	0.47	4×5.4	0.15	10	4.0	UWP1HR47MCL1GB
	1	4×5.4	0.15	10	8.4	UWP1H010MCL1GB
	2.2	5×5.4	0.15	10	13	UWP1H220MCL1GB
	3.3	5×5.4	0.15	10	17	UWP1H330MCL1GB
	4.7	6.3×5.4	0.15	11.75	20	UWP1H470MCL1GB
	10	8×5.4	0.15	25	36	UWP1H100MCL1GB

- For taping specifications, recommended land size/soldering by reflow and minimum order quantity, please refer to the Guidelines for Aluminum Electrolytic Capacitors.
- Please select UUN if high C/V products are required.

X-ON Electronics

Largest Supplier of Electrical and Electronic Components

Click to view similar products for [Aluminium Electrolytic Capacitors - SMD category](#):

Click to view products by [Nichicon manufacturer](#):

Other Similar products are found below :

[EEV-FK1E332W](#) [22927](#) [MAL214099813E3](#) [HUB1800-S](#) [34610](#) [RYK-50V101MG5TT-FL](#) [107AXZ016MQ5](#) [UCX1E102MNQ1MS](#)
[EMF1EM101E83D00R](#) [EMK1AM221E83D00R](#) [EMK1EM471GB0D00R](#) [EMK1VM101E83D00R](#) [EMVY350ARA221MHA0G](#)
[UV2G3R3M0810VG](#) [EMK1VM101FB0D00R](#) [RVT2A4R7M0605](#) [MAL214097402E3](#) [MAL215375471E3](#) [MAL224699909E3](#)
[MAL224699813E3](#) [MAL215099014E3](#) [MAL215099017E3](#) [MAL215099117E3](#) [MAL215099818E3](#) [HV100M100E077ETR](#)
[RC0J226M04005VR](#) [RC0J476M05005VR](#) [RC1A227M08010VR](#) [RC1V476M6L006VR](#) [MAL214099111E3](#) [EXV107M025A9HAA](#)
[50SEV1M4X5.5](#) [50SKV1M4X5.5](#) [TYEH1A336E55MTR](#) [UCD1V100MCQ1GS](#) [UCX1H471MNQ1MS](#) [35SEV47M6.3X8](#)
[35SGV220M10X10.5](#) [35SLV10M5X6.1](#) [VEJ220M1VTR-0606](#) [VES2R2M1HTR-0405](#) [50SEV10M6.3X5.5](#) [50SGV1M4X6.1](#) [107SML016M](#)
[EDK226M035A9DAA](#) [EEV-HA1A471UP](#) [SC1C476M05005VR](#) [UCX1H471MNS1MS](#) [VZH331M1ETR-0810](#) [VES101M1CTR-0605](#)