

## UWX

5.5mmL Chip Type

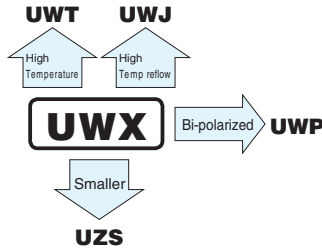


For SMD



Anti-Solvent Feature

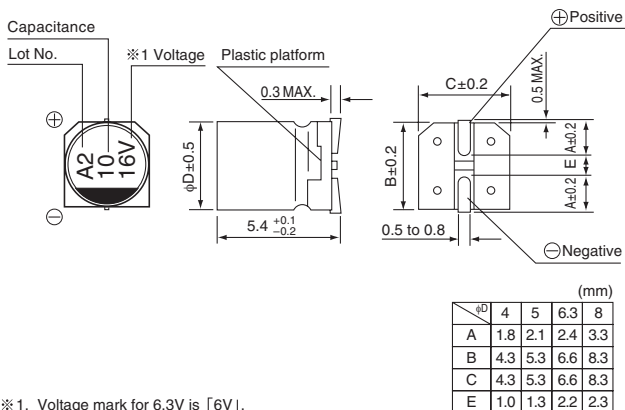
- Chip type with 5.5mm height.
- Designed for surface mounting on high density PC board.
- Applicable to automatic mounting machine fed with carrier tape.
- Load life of 2000 hours at 85°C.
- Compliant to the RoHS directive (2011/65/EU,(EU)2015/863).
- AEC-Q200 compliant. Please contact us for details.



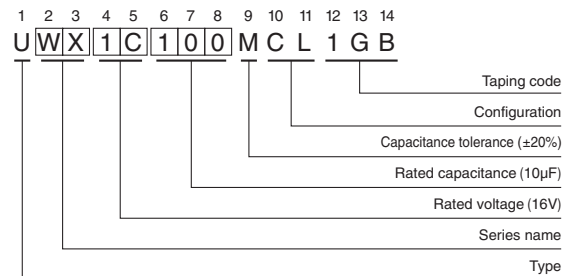
### Specifications

Item	Performance Characteristics																								
Category Temperature Range	-40 to +85°C																								
Rated Voltage Range	4 to 50V																								
Rated Capacitance Range	1 to 330μF																								
Capacitance Tolerance	±20% at 120Hz, 20°C																								
Leakage Current	After 2 minutes' application of rated voltage at 20°C, leakage current is not more than 0.01CV or 3 (μA) ,whichever is greater.																								
Tangent of loss angle (tan δ)	<p>Measurement frequency : 120Hz at 20°C</p> <table border="1"> <thead> <tr> <th>Rated voltage (V)</th> <th>4</th> <th>6.3</th> <th>10</th> <th>16</th> <th>25</th> <th>35</th> <th>50</th> </tr> </thead> <tbody> <tr> <td>tan δ (MAX.)</td> <td>0.35 (0.40)</td> <td>0.26 (0.30)</td> <td>0.20 (0.24)</td> <td>0.16 (0.19)</td> <td>0.14 (0.16)</td> <td>0.12 (0.14)</td> <td>0.12 (0.14)</td> </tr> </tbody> </table> <p>Values in ( ) applicable to WR.</p>	Rated voltage (V)	4	6.3	10	16	25	35	50	tan δ (MAX.)	0.35 (0.40)	0.26 (0.30)	0.20 (0.24)	0.16 (0.19)	0.14 (0.16)	0.12 (0.14)	0.12 (0.14)								
Rated voltage (V)	4	6.3	10	16	25	35	50																		
tan δ (MAX.)	0.35 (0.40)	0.26 (0.30)	0.20 (0.24)	0.16 (0.19)	0.14 (0.16)	0.12 (0.14)	0.12 (0.14)																		
Stability at Low Temperature	<p>Measurement frequency : 120Hz</p> <table border="1"> <thead> <tr> <th>Rated voltage (V)</th> <th>4</th> <th>6.3</th> <th>10</th> <th>16</th> <th>25</th> <th>35</th> <th>50</th> </tr> </thead> <tbody> <tr> <td>Impedance ratio Z<sub>-25°C</sub> / Z<sub>+20°C</sub></td> <td>7</td> <td>4</td> <td>3</td> <td>2</td> <td>2</td> <td>2</td> <td>2</td> </tr> <tr> <td>ZT / Z20 (MAX.) Z<sub>-40°C</sub> / Z<sub>+20°C</sub></td> <td>15</td> <td>8</td> <td>8</td> <td>4</td> <td>4</td> <td>3</td> <td>3</td> </tr> </tbody> </table>	Rated voltage (V)	4	6.3	10	16	25	35	50	Impedance ratio Z <sub>-25°C</sub> / Z <sub>+20°C</sub>	7	4	3	2	2	2	2	ZT / Z20 (MAX.) Z <sub>-40°C</sub> / Z <sub>+20°C</sub>	15	8	8	4	4	3	3
Rated voltage (V)	4	6.3	10	16	25	35	50																		
Impedance ratio Z <sub>-25°C</sub> / Z <sub>+20°C</sub>	7	4	3	2	2	2	2																		
ZT / Z20 (MAX.) Z <sub>-40°C</sub> / Z <sub>+20°C</sub>	15	8	8	4	4	3	3																		
Endurance	<p>The specifications listed at right shall be met when the capacitors are restored to 20°C after the rated voltage is applied for 2000 hours at 85°C.</p> <table border="1"> <tbody> <tr> <td>Capacitance change</td> <td>Within ±20% of the initial capacitance value (Within ±25% for 4 V and WR series units)</td> </tr> <tr> <td>tan δ</td> <td>200% or less than the initial specified value</td> </tr> <tr> <td>Leakage Current</td> <td>Less than or equal to the initial specified value</td> </tr> </tbody> </table>	Capacitance change	Within ±20% of the initial capacitance value (Within ±25% for 4 V and WR series units)	tan δ	200% or less than the initial specified value	Leakage Current	Less than or equal to the initial specified value																		
Capacitance change	Within ±20% of the initial capacitance value (Within ±25% for 4 V and WR series units)																								
tan δ	200% or less than the initial specified value																								
Leakage Current	Less than or equal to the initial specified value																								
Shelf Life	After storing the capacitors under no load at 85°C for 1000 hours and then performing voltage treatment based on JIS C 5101-4 clause 4.1 at 20°C, they shall meet the specified values for the endurance characteristics listed above.																								
Resistance to soldering heat	<p>The capacitors are kept on a hot plate for 30 seconds, which is maintained at 250°C. The capacitors shall meet the characteristic requirements listed at right when they are removed from the plate and restored to 20°C.</p> <table border="1"> <tbody> <tr> <td>Capacitance change</td> <td>Within ±10% of the initial capacitance value</td> </tr> <tr> <td>tan δ</td> <td>Less than or equal to the initial specified value</td> </tr> <tr> <td>Leakage current</td> <td>Less than or equal to the initial specified value</td> </tr> </tbody> </table>	Capacitance change	Within ±10% of the initial capacitance value	tan δ	Less than or equal to the initial specified value	Leakage current	Less than or equal to the initial specified value																		
Capacitance change	Within ±10% of the initial capacitance value																								
tan δ	Less than or equal to the initial specified value																								
Leakage current	Less than or equal to the initial specified value																								
Marking	Black print on the case top.																								

### Chip Type



### Type numbering system (Example : 16V 10μF)



### Frequency coefficient of rated ripple current

Frequency	50 Hz	120 Hz	300 Hz	1 kHz	10 kHz or more
Coefficient	0.70	1.00	1.17	1.36	1.50

● Dimension table in next page.

UWX

## ■Dimensions

Rated Voltage (V) (code)	Rated Capacitance (μF)	Case Size φD×L (mm)	tan δ	Leakage Current (μA) (at 20°C after 2 minutes)	Rated Ripple (mArms) (85°C/120Hz)	Part Number
4 (0G)	33	4×5.4	0.35	3	28	UWX0G330MCL1GB
	47	4×5.4	0.35	3	33	UWX0G470MCL1GB
	56	5×5.4	0.35	3	42	UWX0G560MCL1GB
	100	5×5.4	0.35	4	56	UWX0G101MCL1GB
	150	6.3×5.4	0.35	6	79	UWX0G151MCL1GB
	220	6.3×5.4	0.35	8.8	96	UWX0G221MCL1GB
	330	8×5.4	0.35	13.2	145	UWX0G331MCL1GB
6.3 (0J)	22	4×5.4	0.26	3	28	UWX0J220MCL1GB
	33	5×5.4	0.26	3	37	UWX0J330MCL1GB
	33	4×5.4	0.30	3	34	UWR0J330MCL1GB
	47	5×5.4	0.26	3	45	UWX0J470MCL1GB
	47	4×5.4	0.30	3	40	UWR0J470MCL1GB
	56	6.3×5.4	0.26	3.528	52	UWX0J560MCL1GB
	56	5×5.4	0.30	3.528	46	UWR0J560MCL1GB
	100	6.3×5.4	0.26	6.3	70	UWX0J101MCL1GB
	100	5×5.4	0.30	6.3	47	UWR0J101MCL1GB
	150	6.3×5.4	0.26	9.45	71	UWX0J151MCL1GB
	220	8×5.4	0.26	13.86	110	UWX0J221MCL1GB
	220	6.3×5.4	0.30	13.86	74	UWR0J221MCL1GB
330	8×5.4	0.26	20.79	170	UWX0J331MCL1GB	
10 (1A)	22	5×5.4	0.20	3	33	UWX1A220MCL1GB
	22	4×5.4	0.24	3	30	UWR1A220MCL1GB
	33	5×5.4	0.20	3.3	41	UWX1A330MCL1GB
	33	4×5.4	0.24	3.3	34	UWR1A330MCL1GB
	47	6.3×5.4	0.20	4.7	52	UWX1A470MCL1GB
	47	5×5.4	0.24	4.7	47	UWR1A470MCL1GB
	56	6.3×5.4	0.20	5.6	57	UWX1A560MCL1GB
	56	5×5.4	0.24	5.6	50	UWR1A560MCL1GB
	100	6.3×5.4	0.20	10	76	UWX1A101MCL1GB
	100	5×5.4	0.24	10	54	UWR1A101MCL1GB
	150	8×5.4	0.20	15	111	UWX1A151MCL1GB
	150	6.3×5.4	0.24	15	76	UWR1A151MCL1GB
220	8×5.4	0.20	22	135	UWX1A221MCL1GB	
16 (1C)	10	4×5.4	0.16	3	23	UWX1C100MCL1GB
	22	5×5.4	0.16	3.52	37	UWX1C220MCL1GB
	22	4×5.4	0.19	3.52	30	UWR1C220MCL1GB
	33	6.3×5.4	0.16	5.28	49	UWX1C330MCL1GB
	33	5×5.4	0.19	5.28	44	UWR1C330MCL1GB
	47	6.3×5.4	0.16	7.52	58	UWX1C470MCL1GB
	47	5×5.4	0.19	7.52	52	UWR1C470MCL1GB
	56	6.3×5.4	0.16	8.96	63	UWX1C560MCL1GB
	56	5×5.4	0.19	8.96	57	UWR1C560MCL1GB
	100	6.3×5.4	0.16	16	86	UWX1C101MCL1GB



## ■ Dimensions

Rated Voltage (V) (code)	Rated Capacitance (μF)	Case Size φD×L (mm)	tan δ	Leakage Current (μA) (at 20°C after 2 minutes)	Rated Ripple (mArms) (85°C/120Hz)	Part Number
25 (1E)	4.7	4×5.4	0.14	3	16	UWX1E4R7MCL1GB
	10	5×5.4	0.14	3	27	UWX1E100MCL1GB
	10	4×5.4	0.16	3	24	UWR1E100MCL1GB
	22	6.3×5.4	0.14	5.5	42	UWX1E220MCL1GB
	22	5×5.4	0.16	5.5	38	UWR1E220MCL1GB
	33	6.3×5.4	0.14	8.25	52	UWX1E330MCL1GB
	33	5×5.4	0.16	8.25	46	UWR1E330MCL1GB
	47	8×5.4	0.14	11.75	70	UWX1E470MCL1GB
	47	6.3×5.4	0.16	11.75	60	UWR1E470MCL1GB
	56	8×5.4	0.14	14	76	UWX1E560MCL1GB
	56	6.3×5.4	0.16	14	65	UWR1E560MCL1GB
	100	8×5.4	0.14	25	110	UWX1E101MCL1GB
35 (1V)	4.7	4×5.4	0.12	3	18	UWX1V4R7MCL1GB
	10	5×5.4	0.12	3.5	29	UWX1V100MCL1GB
	10	4×5.4	0.14	3.5	24	UWR1V100MCL1GB
	22	6.3×5.4	0.12	7.7	46	UWX1V220MCL1GB
	22	5×5.4	0.14	7.7	39	UWR1V220MCL1GB
	33	8×5.4	0.12	11.55	62	UWX1V330MCL1GB
	33	6.3×5.4	0.14	11.55	53	UWR1V330MCL1GB
	47	8×5.4	0.12	16.45	80	UWX1V470MCL1GB
50 (1H)	1	4×5.4	0.12	3	8.4	UWX1H010MCL1GB
	2.2	4×5.4	0.12	3	13	UWX1H2R2MCL1GB
	3.3	4×5.4	0.12	3	17	UWX1H3R3MCL1GB
	4.7	5×5.4	0.12	3	20	UWX1H4R7MCL1GB
	4.7	4×5.4	0.14	3	18	UWR1H4R7MCL1GB
	10	6.3×5.4	0.12	5	33	UWX1H100MCL1GB
	10	5×5.4	0.14	5	30	UWR1H100MCL1GB
	22	8×5.4	0.12	11	52	UWX1H220MCL1GB
	22	6.3×5.4	0.14	11	43	UWR1H220MCL1GB
	33	8×5.4	0.12	16.5	71	UWX1H330MCL1GB

- For taping specifications, recommended land size/soldering by reflow and minimum order quantity, please refer to the Guidelines for Aluminum Electrolytic Capacitors.
- Please select UUR, UUG if high C/V products are required.

## X-ON Electronics

Largest Supplier of Electrical and Electronic Components

*Click to view similar products for [Aluminium Electrolytic Capacitors - SMD category](#):*

*Click to view products by [Nichicon manufacturer](#):*

Other Similar products are found below :

[EEV-FK1E332W](#) [22927](#) [MAL214099813E3](#) [HUB1800-S](#) [34610](#) [RYK-50V101MG5TT-FL](#) [107AXZ016MQ5](#) [UCX1E102MNQ1MS](#)  
[EMF1EM101E83D00R](#) [EMK1AM221E83D00R](#) [EMK1EM471GB0D00R](#) [EMK1VM101E83D00R](#) [EMVY350ARA221MHA0G](#)  
[UV2G3R3M0810VG](#) [EMK1VM101FB0D00R](#) [RVT2A4R7M0605](#) [MAL214097402E3](#) [MAL215375471E3](#) [MAL224699909E3](#)  
[MAL224699813E3](#) [MAL215099017E3](#) [MAL215099117E3](#) [MAL215099818E3](#) [HV100M100E077ETR](#) [RC0J226M04005VR](#)  
[RC0J476M05005VR](#) [RC1A227M08010VR](#) [RC1V476M6L006VR](#) [MAL214099111E3](#) [EXV107M025A9HAA](#) [50SEV1M4X5.5](#)  
[50SKV1M4X5.5](#) [TYEH1A336E55MTR](#) [UCD1V100MCQ1GS](#) [UCX1H471MNQ1MS](#) [35SEV47M6.3X8](#) [35SGV220M10X10.5](#)  
[35SLV10M5X6.1](#) [VEJ220M1VTR-0606](#) [VES2R2M1HTR-0405](#) [VZH102M1ATR-1010](#) [50SEV10M6.3X5.5](#) [50SGV1M4X6.1](#) [107SML016M](#)  
[EDK226M035A9DAA](#) [EEV-HA1A471UP](#) [SC1C476M05005VR](#) [UCX1H471MNS1MS](#) [VZH331M1ETR-0810](#) [VES101M1CTR-0605](#)