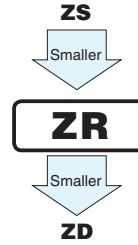


ALUMINUM ELECTROLYTIC CAPACITORS

ZR series 3.95mmL MAX. Chip Type



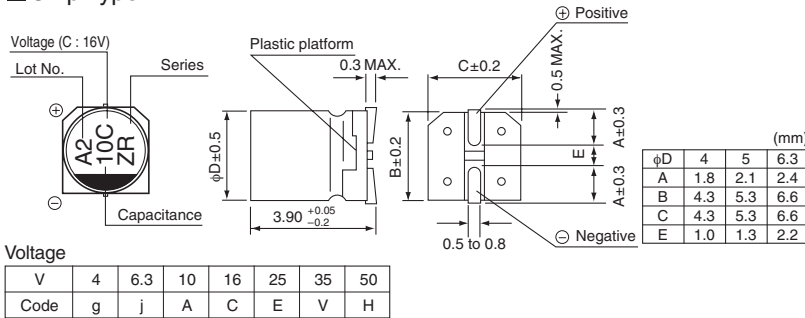
- Chip type with 3.95mmLMAX height.
- Designed for surface mounting on high density PC board.
- Applicable to automatic mounting machine fed with carrier tape.
- Compliant to the RoHS directive (2011/65/EU).



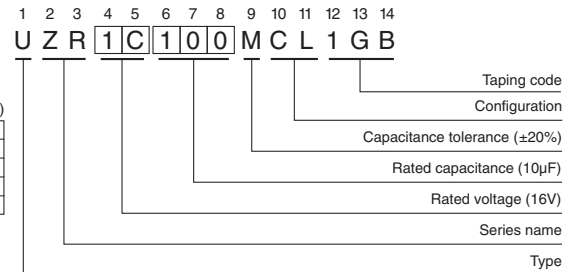
Specifications

Item	Performance Characteristics										
Category Temperature Range	-40 to +85°C										
Rated Voltage Range	4 to 50V										
Rated Capacitance Range	0.1 to 220μF										
Capacitance Tolerance	±20% at 120Hz, 20°C										
Leakage Current	After 2 minutes' application of rated voltage, leakage current is not more than 0.01 CV or 3 (μA), whichever is greater.										
Tangent of loss angle (tan δ)	Rated voltage (V)	4	6.3	10	16	25	35	50	120Hz 20°C		
	tan δ (MAX.)	0.50	0.30	0.24	0.19	0.16	0.14	0.14			
Stability at Low Temperature	Rated voltage (V)	4	6.3	10	16	25	35	50	120Hz		
	Impedance ratio ZT / Z20 (MAX.)	Z-25°C / Z+20°C	7	4	3	2	2	2		2	
		Z-40°C / Z+20°C	15	8	8	4	4	3		3	
Endurance	The specifications listed at right shall be met when the capacitors are restored to 20°C after the rated voltage is applied for 1000 hours at 85°C.										
		Capacitance change	Within ±30% of the initial capacitance value						tan δ	300% or less than the initial specified value	Leakage current
Shelf Life	After storing the capacitors under no load at 85°C for 1000 hours and then performing voltage treatment based on JIS C 5101-4 clause 4.1 at 20°C, they shall meet the specified values for the endurance characteristics listed above.										
Resistance to soldering heat	The capacitors are kept on a hot plate for 30 seconds, which is maintained at 250°C. The capacitors shall meet the characteristic requirements listed at right when they are removed from the plate and restored to 20°C.										
		Capacitance change	Within ±10% of the initial capacitance value						tan δ	Less than or equal to the initial specified value	Leakage current
Marking	Black print on the case top.										

Chip Type



Type numbering system (Example : 16V 10μF)



Dimensions

Cap. (μF)	Code	V											
		4	6.3	10	16	25	35	50					
0.1	0R1								4	1.0			
0.22	R22								4	2.0			
0.33	R33								4	2.8			
0.47	R47								4	4.0			
1	010								4	8.4			
2.2	2R2								4	13			
3.3	3R3								4	17			
4.7	4R7							4	16	4	18	5	20
10	100				4	23	5	27	5	29	6.3	33	
22	220		4	28	5	33	5	37	6.3	42	6.3	46	
33	330	4	28	5	37	5	41	6.3	49	6.3	52		
47	470	4	33	5	45	6.3	52	6.3	58				
100	101	5	56	6.3	70								
220	221	6.3	96										

Rated ripple current (mArms) at 85°C 120Hz

Frequency coefficient of rated ripple current

Frequency	50 Hz	120 Hz	300 Hz	1 kHz	10 kHz or more
Coefficient	0.70	1.00	1.17	1.36	1.50

- Taping specifications are given in page 23.
- Recommended land size soldering by reflow are given in page 18,19.
- Please refer to page 3 for the minimum order quantity.

X-ON Electronics

Largest Supplier of Electrical and Electronic Components

Click to view similar products for [Aluminium Electrolytic Capacitors - SMD category](#):

Click to view products by [Nichicon manufacturer](#):

Other Similar products are found below :

[EEV-FK1E332W](#) [22927](#) [MAL214099813E3](#) [HUB1800-S](#) [34610](#) [RYK-50V101MG5TT-FL](#) [107AXZ016MQ5](#) [UCX1E102MNQ1MS](#)
[EMF1EM101E83D00R](#) [EMK1AM221E83D00R](#) [EMK1EM471GB0D00R](#) [EMK1VM101E83D00R](#) [EMVY350ARA221MHA0G](#)
[UV2G3R3M0810VG](#) [EMK1VM101FB0D00R](#) [RVT2A4R7M0605](#) [MAL214097402E3](#) [MAL215375471E3](#) [MAL224699909E3](#)
[MAL224699813E3](#) [MAL215099017E3](#) [MAL215099117E3](#) [MAL215099818E3](#) [HV100M100E077ETR](#) [RC0J226M04005VR](#)
[RC0J476M05005VR](#) [RC1A227M08010VR](#) [RC1V476M6L006VR](#) [MAL214099111E3](#) [EXV107M025A9HAA](#) [50SEV1M4X5.5](#)
[50SKV1M4X5.5](#) [TYEH1A336E55MTR](#) [UCD1V100MCQ1GS](#) [UCX1H471MNQ1MS](#) [35SEV47M6.3X8](#) [35SGV220M10X10.5](#)
[35SLV10M5X6.1](#) [VEJ220M1VTR-0606](#) [VES2R2M1HTR-0405](#) [VZH102M1ATR-1010](#) [50SEV10M6.3X5.5](#) [50SGV1M4X6.1](#) [107SML016M](#)
[EDK226M035A9DAA](#) [EEV-HA1A471UP](#) [SC1C476M05005VR](#) [UCX1H471MNS1MS](#) [VZH331M1ETR-0810](#) [VES101M1CTR-0605](#)