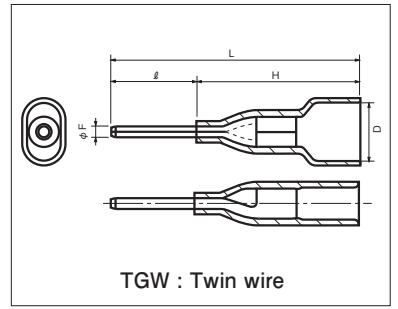
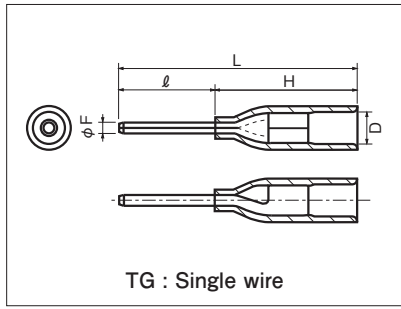


# INSULATED PIN TERMINALS (TC TYPE) TGV TMEV : Vinyl

■ TGT Pin is in line with the center of the barrel.

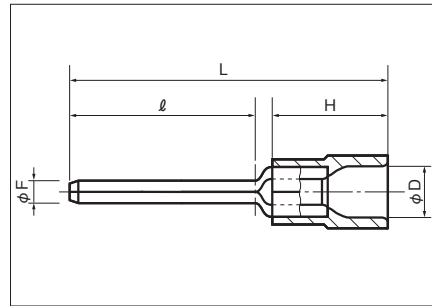


**RoHS**  
See page 2

Rated voltage 300V Rated current 17A

PART NUMBER	DIMENSIONS mm					WIRE RANGE		TOOL No.	MATERIAL OF INS.	COLOR	STD QTY/BOX				
	φF	ℓ	L	H	φD	STRANDED mm <sup>2</sup>	AWG								
<b>TGV TC-1.25-9T</b>	1.1	9.0	25.0	16.0	φ3.6	0.3~1.65	22-16	(NH 11/NH 32) NH 65 AIR TOOL BODY : NA3 DIES : N3 11T	Vinyl	RED TRANSLUCENT	100				
<b>TGV TC-1.25-11T</b>		11.0	27.0								100				
<b>TGTV TC-1.25-9T</b>		9.0	26.6	17.6							6.6	NH 66	Vinyl	RED TRANSLUCENT	100
<b>TGTV TC-1.25-11T</b>		11.0	28.6												100

■ TME (PIN)



**RoHS**  
See page 2

PART NUMBER	DIMENSIONS mm					WIRE RANGE		TOOL No.		STD QTY/BOX
	φF	ℓ	L	H	φD	STRANDED mm <sup>2</sup>	AWG	HAND TOOL No.		
								TOOL BODY No.	DIES No.	
<b>TMEV TC-0.3-9.5</b> ○	1.0	9.5	20.8	10.0	2.8	0.2-0.5 0.3-0.5 UL·CSA USE	24-20 22-20 UL·CSA USE	NH 5 NH 32 NH 60 NA 10 NA 3	N10 10 N3 5	1,000 (100×10)
<b>TMEV TC-1.25-11</b> ○ <b>TC-1.25-11S</b> ○ <b>TC-1.25-16</b> ○ <b>TC-1.25-16S</b> ○ <b>TC-1.25-20</b> ○ <b>TC-1.25-20S</b> ○	1.9 1.5 1.9 1.5 1.9 1.5	11.0 16.0 20.0	23.0 27.5 31.5	10.0	4.1	0.3~1.65	22-16	NH 11 NH 32 NA 10 NA 3	N10 11 N3 11	1,000 (100×10)
<b>TMEV TC-2-11</b> ○ <b>TC-2-11S</b> ○ <b>TC-2-16</b> ○ <b>TC-2-16S</b> ○ <b>TC-2-20</b> ○ <b>TC-2-20S</b> ○	1.9 1.5 1.9 1.5 1.9 1.5	11.0 16.0 20.0	23.0 27.5 31.5	10.0	4.5	1.04 2.63	16-14	NH 12 NH 32 NA 10 NA 3	N10 12 N3 12	1,000 (100×10)
<b>TMEV TC-3.5-11S</b> ○	1.9	11.0	29.0	14.0	6.3	2.63 4.6	12	NH 13 NA 10 NA 3	N10 13 N3 13	100
<b>TMEV TC-5.5-11</b> ○	2.7	11.0	28.5	14.0	6.8	2.63 6.64	12-10	NH 13 NA 10 NA 3	N10 13 N3 13	100

NOTE 1) ○ : UL/CSA △ : UL INSULATOR MATERIAL

- Please refer to page 33 for UL/CSA, insulator material/color, proper strip length of wire and Nylon insulated products.
- Transparents and colored insulators are available for TMEV(Vinyl).

## X-ON Electronics

Largest Supplier of Electrical and Electronic Components

*Click to view similar products for [Terminals](#) category:*

*Click to view products by [Nichifu](#) manufacturer:*

Other Similar products are found below :

[HT-13-10](#) [71M-250-32-NB](#) [01-2065-1-0216](#) [00581P0075](#) [M10-10RX](#) [M10BCK](#) [60205-1](#) [604200-1](#) [60598-1-CUT-TAPE](#) [60617-1-C](#) [60873-1](#) [M14-516R/SK](#) [M14-6RSX](#) [M18-10FLX](#) [M18-8FBX](#) [M18-8R/LX](#) [M18BCK](#) [61314-6-C](#) [61-S](#) [61-SN-A](#) [62-NBM-A](#) [63-S](#) [640179-1](#) [640917-2-CUT-TAPE](#) [6501550002](#) [66107-2-C](#) [696683-1](#) [696834-1](#) [696861-1](#) [696931-1](#) [696999-1](#) [M8-516RK](#) [M86700006](#) [MA250DMFMX-A](#) [701-2007](#) [701-2307](#) [701-7761-03](#) [70F-110-32-PB](#) [718-N-A](#) [71M-187-20-NBL](#) [71M-250-32-NBL](#) [72F-187-20-NBL](#) [72M-250-32-NBL](#) [7310](#) [73F-250-32](#) [73F-250-32-NBL](#) [73F-250-32-NL](#) [F14-10C](#) [F-1M](#) [751-250](#)