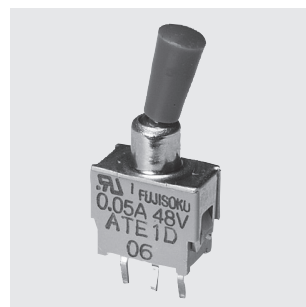


# ATE

## Subminiature Toggle Switch

Washable



RoHS Compliant

UL

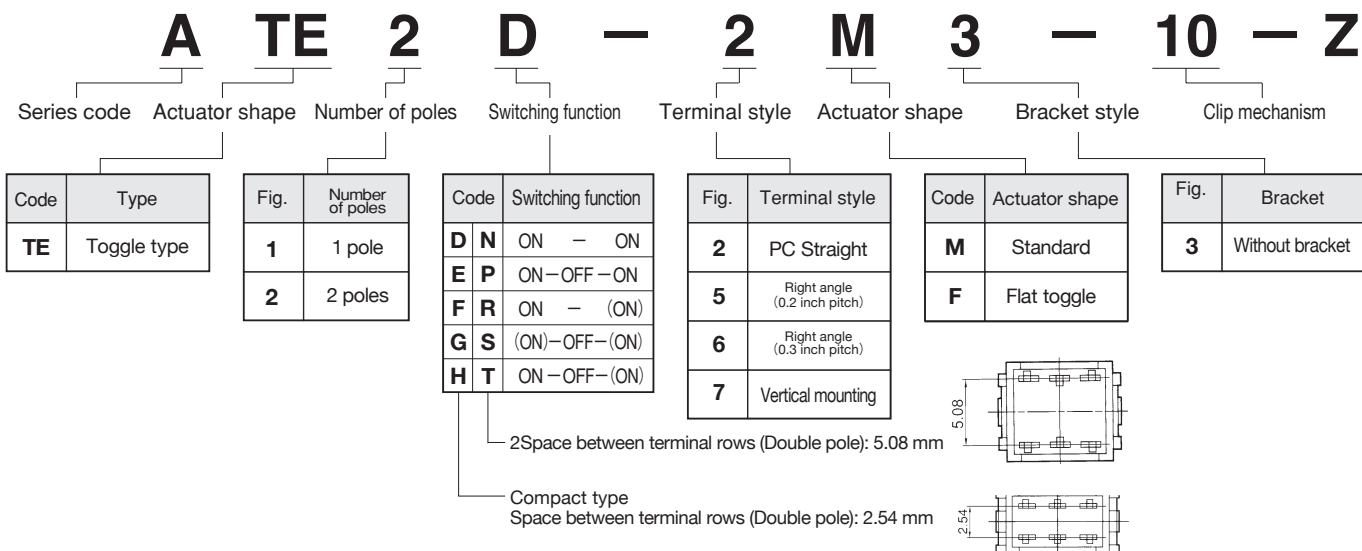
### Features

1. Twin-contact clip mechanism for high reliability.
2. Process sealed structure
3. Gold-plated contacts.
4. Terminal pin pitch: 2.54 mm.
5. Independent detent mechanism ensures light operational feel.
6. UL recognized (Excluding ATE-J series with plastic cap/rocker)

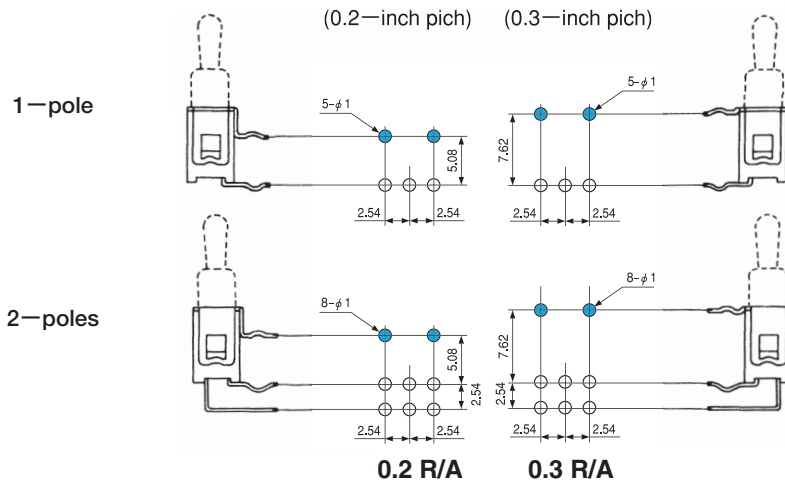
### Specifications

|                             |   |                           |
|-----------------------------|---|---------------------------|
| Rating                      | Max.  | 50mA 60VAC/DC 0.4VA AC/DC |
|                             | Min.  | 1 μA 20mVAC/DC            |
|                             | UL  | 48VAC/DC 50mA             |
| Initial contact resistance  | 50mΩ Max. (1.5mA 200μVAC)                                 |                           |
| Dielectric strength         | 250VAC 1 minute   |                           |
| Insulation resistance       | 500MΩ min. (500VDC)                                       |                           |
| Electrical life             | 10,000 cycles at 0.4VA rating.                            |                           |
|                             | 50,000 cycles at 0.4VA rating. ( <b>D.E.N.P</b> type)     |                           |
|                             | 30,000 cycles at 0.4VA rating. ( <b>F.G.H.R.S.T</b> type) |                           |
| Mechanical life             | <b>D.E.N.P</b> type 50,000 cycles                         |                           |
|                             | <b>F.G.H.R.S.T</b> type 30,000 cycles                     |                           |
| Operating temperature range | -20°C~+85°C   |                           |
| Storage temperature range   | -40°C~+85°C   |                           |

### Part Numbering



■ Right Angle Terminals



● The space between the terminal rows are available in two dimensions: 0.2 inches (5.08 mm) and 0.3 inches (7.62 mm).

[Example] 0.2-inch pitch: **ATE1D-5M3-10-Z**  
0.3-inch pitch: **ATE1D-6M3-10-Z**

■ Optional Accessories

Refer to P.371 for PC Hole Layouts.

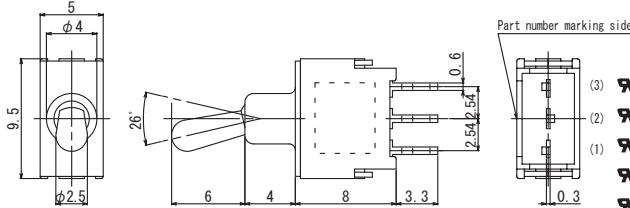
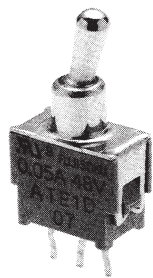
| Part name   | Bracket             |                     |                     |
|-------------|---------------------|---------------------|---------------------|
|             | Single pole         | Double poles        |                     |
| Poles       | Single pole         | Double poles        |                     |
| Box size    | 5 mm                | 7.5 mm              | 5 mm                |
| Type        | ATE-2M · 2F         |                     |                     |
| Dimensions  |                     |                     |                     |
| Part number | <b>140000640314</b> | <b>140000640315</b> | <b>140000640318</b> |

| Type       | ATE-2M·5M·6M·7M                    |
|------------|------------------------------------|
| Part name  | <b>Color Cap</b>                   |
| Dimensions | Gloss finish<br><br>Vinyl chloride |
|            |                                    |
| White      | <b>140000470174</b>                |
| Red        | <b>140000470175</b>                |
| Black      | <b>140000470173</b>                |
| Gray       | <b>140000470179</b>                |

SPDT

PC Straight

Standard Toggle



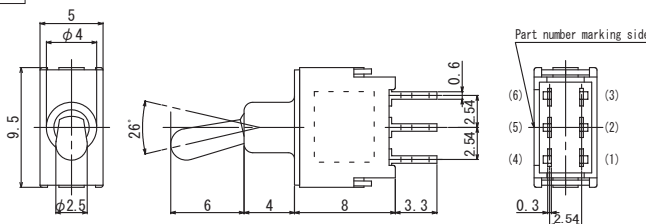
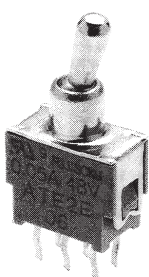
Terminal numbers are not shown on the switch.

| Part No.             | Switching function                |     |      |
|----------------------|-----------------------------------|-----|------|
|                      | Viewed from part No. marking side |     |      |
|                      |                                   |     |      |
| ATE1D-2M3-10-Z       | ON                                | —   | ON   |
| ATE1E-2M3-10-Z       | ON                                | OFF | ON   |
| ATE1F-2M3-10-Z       | ON                                | —   | (ON) |
| ATE1G-2M3-10-Z       | (ON)                              | OFF | (ON) |
| ☆ATE1H-2M3-10-Z      | ON                                | OFF | (ON) |
| Connecting terminals | 2-3                               | —   | 2-1  |

DPDT

PC Straight

Distance between two terminal rows : 2.54mm



Terminal numbers are not shown on the switch.

| Part No.             | Switching function                |     |            |
|----------------------|-----------------------------------|-----|------------|
|                      | Viewed from part No. marking side |     |            |
|                      |                                   |     |            |
| ATE2D-2M3-10-Z       | ON                                | —   | ON         |
| ☆ATE2E-2M3-10-Z      | ON                                | OFF | ON         |
| ★ATE2F-2M3-10-Z      | ON                                | —   | (ON)       |
| ☆ATE2G-2M3-10-Z      | (ON)                              | OFF | (ON)       |
| ☆ATE2H-2M3-10-Z      | ON                                | OFF | (ON)       |
| Connecting terminals | 2-3<br>5-6                        | —   | 2-1<br>5-4 |

★ : Made to order products.

☆ : Semi-standard products.

(ON) : Momentary.

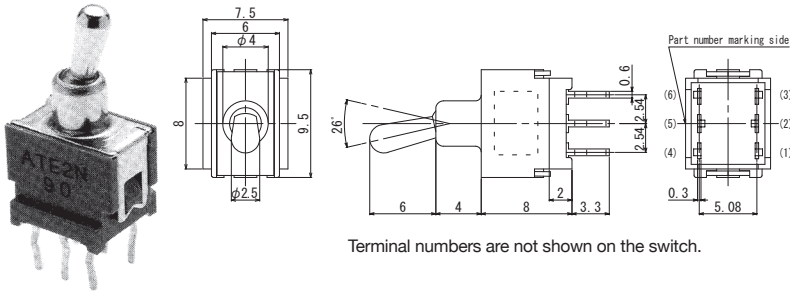
: Optional Accessories.

# ATE

## DPDT

(Space between terminal rows : 5.08 mm)

### PC Straight



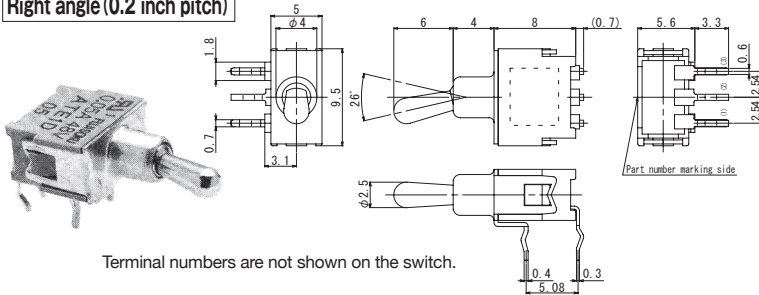
Terminal numbers are not shown on the switch.

| Switching function   | Viewed from part No. marking side |     |            |
|----------------------|-----------------------------------|-----|------------|
|                      |                                   |     |            |
| Part No.             |                                   |     |            |
| ☆ ATE2N-2M3-10-Z     | ON                                | —   | ON         |
| ★ ATE2P-2M3-10-Z     | ON                                | OFF | ON         |
| ★ ATE2R-2M3-10-Z     | ON                                | —   | (ON)       |
| ★ ATE2S-2M3-10-Z     | (ON)                              | OFF | (ON)       |
| ★ ATE2T-2M3-10-Z     | ON                                | OFF | (ON)       |
| Connecting terminals | 2-3<br>5-6                        | —   | 2-1<br>5-4 |

## SPDT

(Mounting height : 3.1mm)

### Right angle (0.2 inch pitch)



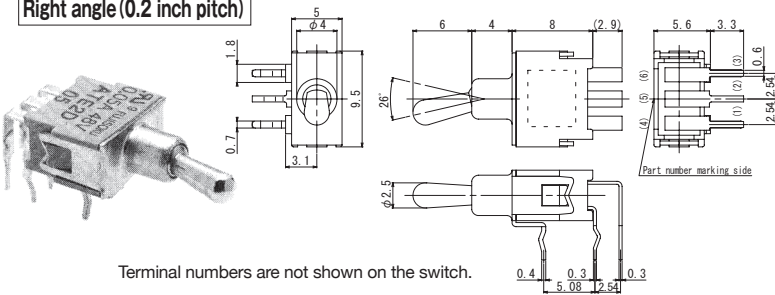
Terminal numbers are not shown on the switch.

| Switching function   | Viewed from part No. marking side |     |      |
|----------------------|-----------------------------------|-----|------|
|                      |                                   |     |      |
| Part No.             |                                   |     |      |
| ATE1D-5M3-10-Z       | ON                                | —   | ON   |
| ☆ ATE1E-5M3-10-Z     | ON                                | OFF | ON   |
| ★ ATE1F-5M3-10-Z     | ON                                | —   | (ON) |
| ☆ ATE1G-5M3-10-Z     | (ON)                              | OFF | (ON) |
| ★ ATE1H-5M3-10-Z     | ON                                | OFF | (ON) |
| Connecting terminals | 2-3                               | —   | 2-1  |

## DPDT

(Mounting height : 3.1mm)

### Right angle (0.2 inch pitch)



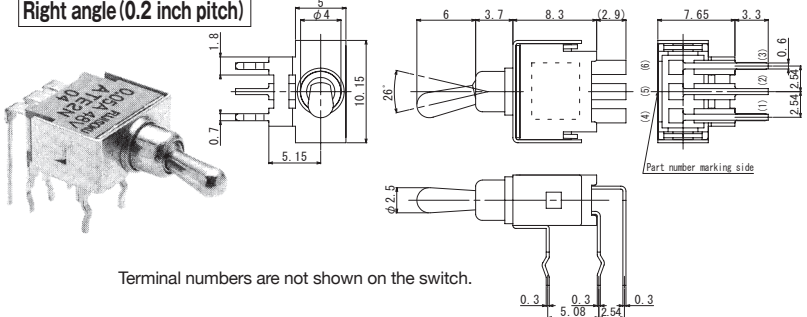
Terminal numbers are not shown on the switch.

| Switching function   | Viewed from part No. marking side |     |            |
|----------------------|-----------------------------------|-----|------------|
|                      |                                   |     |            |
| Part No.             |                                   |     |            |
| ☆ ATE2D-5M3-10-Z     | ON                                | —   | ON         |
| ★ ATE2E-5M3-10-Z     | ON                                | OFF | ON         |
| ★ ATE2F-5M3-10-Z     | ON                                | —   | (ON)       |
| ☆ ATE2G-5M3-10-Z     | (ON)                              | OFF | (ON)       |
| ▲ ATE2H-5M3-10-Z     | ON                                | OFF | (ON)       |
| Connecting terminals | 2-3<br>5-6                        | —   | 2-1<br>5-4 |

## DPDT

(Mounting height : 5.15mm)

### Right angle (0.2 inch pitch)



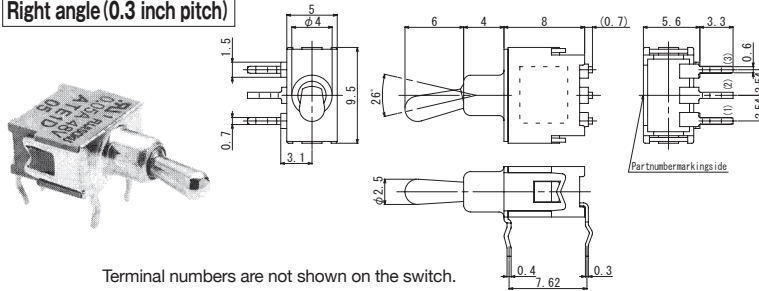
Terminal numbers are not shown on the switch.

| Switching function   | Viewed from part No. marking side |     |            |
|----------------------|-----------------------------------|-----|------------|
|                      |                                   |     |            |
| Part No.             |                                   |     |            |
| ☆ ATE2N-5M3-10-Z     | ON                                | —   | ON         |
| ★ ATE2P-5M3-10-Z     | ON                                | OFF | ON         |
| ▲ ATE2R-5M3-10-Z     | ON                                | —   | (ON)       |
| ★ ATE2S-5M3-10-Z     | (ON)                              | OFF | (ON)       |
| ▲ ATE2T-5M3-10-Z     | ON                                | OFF | (ON)       |
| Connecting terminals | 2-3<br>5-6                        | —   | 2-1<br>5-4 |

## SPDT

(Mounting height : 3.1mm)

### Right angle (0.3 inch pitch)



Terminal numbers are not shown on the switch.

| Switching function   | Viewed from part No. marking side |     |      |
|----------------------|-----------------------------------|-----|------|
|                      |                                   |     |      |
| Part No.             |                                   |     |      |
| ATE1D-6M3-10-Z       | ON                                | —   | ON   |
| ATE1E-6M3-10-Z       | ON                                | OFF | ON   |
| ATE1F-6M3-10-Z       | ON                                | —   | (ON) |
| ☆ ATE1G-6M3-10-Z     | (ON)                              | OFF | (ON) |
| ☆ ATE1H-6M3-10-Z     | ON                                | OFF | (ON) |
| Connecting terminals | 2-3                               | —   | 2-1  |

(ON) : Momentary.

▲ : Inquiry products.

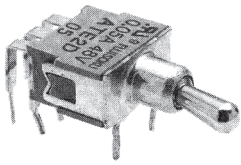
☆ : Semi-standard products.

★ : Made to order products.

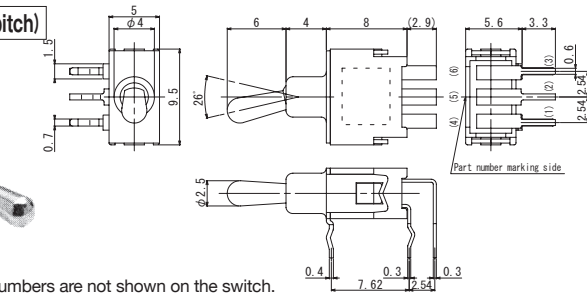
**DPDT**

(Mounting height : 3.1mm)

Right angle (0.3 inch pitch)



Terminal numbers are not shown on the switch.

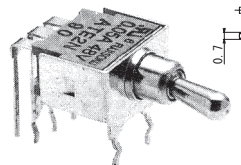


| Part No.             | Switching function                |     |            |
|----------------------|-----------------------------------|-----|------------|
|                      | Viewed from part No. marking side |     |            |
| ATE2D-6M3-10-Z       | ON                                | —   | ON         |
| ★ATE2E-6M3-10-Z      | ON                                | OFF | ON         |
| ★ATE2F-6M3-10-Z      | ON                                | —   | (ON)       |
| ★ATE2G-6M3-10-Z      | (ON)                              | OFF | (ON)       |
| ▲ATE2H-6M3-10-Z      | ON                                | OFF | (ON)       |
| Connecting terminals | 2-3<br>5-6                        | —   | 2-1<br>5-4 |

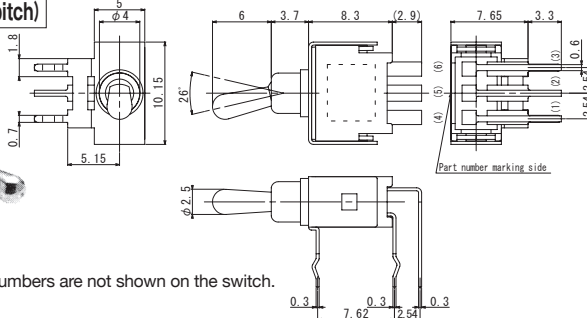
**DPDT**

(Mounting height : 5.15mm)

Right angle (0.3 inch pitch)



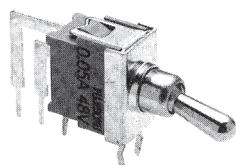
Terminal numbers are not shown on the switch.



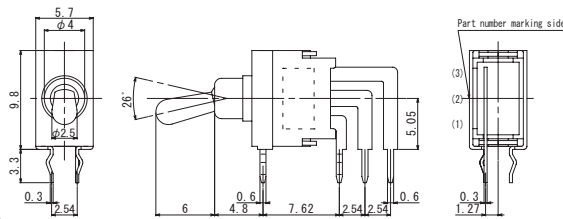
| Part No.             | Switching function                |     |            |
|----------------------|-----------------------------------|-----|------------|
|                      | Viewed from part No. marking side |     |            |
| ATE2N-6M3-10-Z       | ON                                | —   | ON         |
| ☆ATE2P-6M3-10-Z      | ON                                | OFF | ON         |
| ★ATE2R-6M3-10-Z      | ON                                | —   | (ON)       |
| ★ATE2S-6M3-10-Z      | (ON)                              | OFF | (ON)       |
| ★ATE2T-6M3-10-Z      | ON                                | OFF | (ON)       |
| Connecting terminals | 2-3<br>5-6                        | —   | 2-1<br>5-4 |

**SPDT**

Vertical mounting



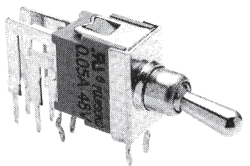
Terminal numbers are not shown on the switch.



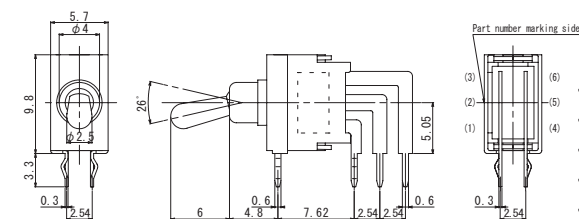
| Part No.             | Switching function                |     |      |
|----------------------|-----------------------------------|-----|------|
|                      | Viewed from part No. marking side |     |      |
| ☆ATE1D-7M3-10-Z      | ON                                | —   | ON   |
| ☆ATE1E-7M3-10-Z      | ON                                | OFF | ON   |
| ★ATE1F-7M3-10-Z      | ON                                | —   | (ON) |
| ★ATE1G-7M3-10-Z      | (ON)                              | OFF | (ON) |
| ▲ATE1H-7M3-10-Z      | ON                                | OFF | (ON) |
| Connecting terminals | 2-3                               | —   | 2-1  |

**DPDT**

Vertical mounting



Terminal numbers are not shown on the switch.



| Part No.             | Switching function                |     |            |
|----------------------|-----------------------------------|-----|------------|
|                      | Viewed from part No. marking side |     |            |
| ATE2D-7M3-10-Z       | ON                                | —   | ON         |
| ★ATE2E-7M3-10-Z      | ON                                | OFF | ON         |
| ★ATE2F-7M3-10-Z      | ON                                | —   | (ON)       |
| ▲ATE2G-7M3-10-Z      | (ON)                              | OFF | (ON)       |
| ▲ATE2H-7M3-10-Z      | ON                                | OFF | (ON)       |
| Connecting terminals | 2-3<br>5-6                        | —   | 2-1<br>5-4 |

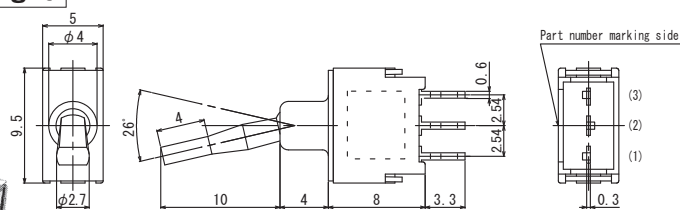
**SPDT**

PC Straight

Flat Toggle



Terminal numbers are not shown on the switch.



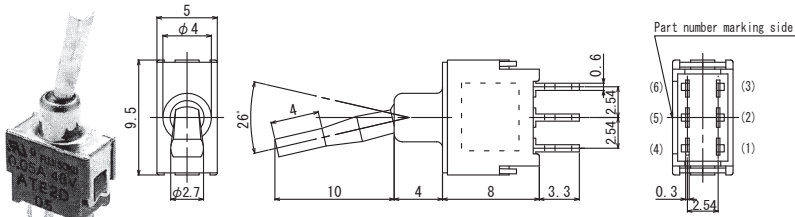
| Part No.             | Switching function                |     |      |
|----------------------|-----------------------------------|-----|------|
|                      | Viewed from part No. marking side |     |      |
| ATE1D-2F3-10-Z       | ON                                | —   | ON   |
| ATE1E-2F3-10-Z       | ON                                | OFF | ON   |
| ☆ATE1F-2F3-10-Z      | ON                                | —   | (ON) |
| ★ATE1G-2F3-10-Z      | (ON)                              | OFF | (ON) |
| ★ATE1H-2F3-10-Z      | ON                                | OFF | (ON) |
| Connecting terminals | 2-3                               | —   | 2-1  |

# ATE

## DPDT

(Space between terminal rows (Double pole): 2.54 mm)

### PC Straight



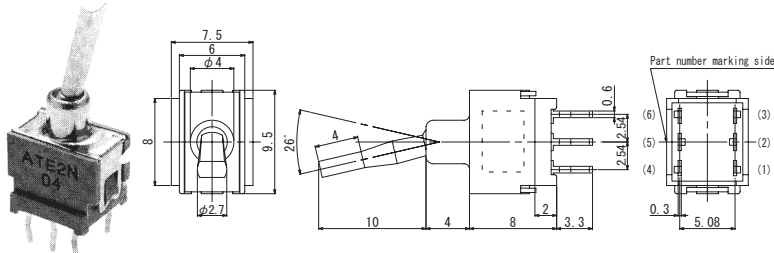
Terminal numbers are not shown on the switch.

| Part No.             | Viewed from part No. marking side |     |            |
|----------------------|-----------------------------------|-----|------------|
|                      |                                   |     |            |
| ☆ ATE2D-2F3-10-Z     | ON                                | —   | ON         |
| ★ ATE2E-2F3-10-Z     | ON                                | OFF | ON         |
| ★ ATE2F-2F3-10-Z     | ON                                | —   | (ON)       |
| ☆ ATE2G-2F3-10-Z     | (ON)                              | OFF | (ON)       |
| ★ ATE2H-2F3-10-Z     | ON                                | OFF | (ON)       |
| Connecting terminals | 2-3<br>5-6                        | —   | 2-1<br>5-4 |

## DPDT

(Space between terminal rows (Double pole): 5.08 mm)

### PC Straight



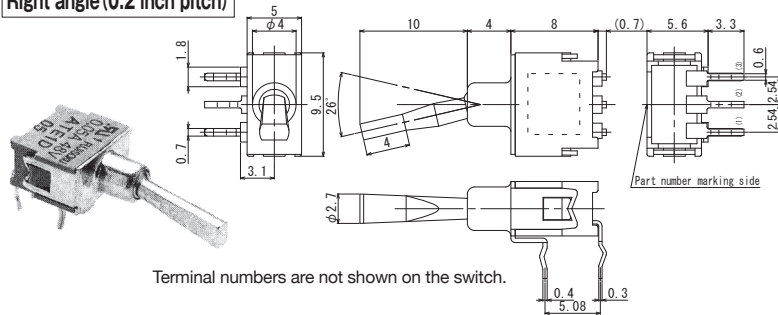
Terminal numbers are not shown on the switch.

| Part No.             | Viewed from part No. marking side |     |            |
|----------------------|-----------------------------------|-----|------------|
|                      |                                   |     |            |
| ☆ ATE2N-2F3-10-Z     | ON                                | —   | ON         |
| ★ ATE2P-2F3-10-Z     | ON                                | OFF | ON         |
| ★ ATE2R-2F3-10-Z     | ON                                | —   | (ON)       |
| ▲ ATE2S-2F3-10-Z     | (ON)                              | OFF | (ON)       |
| ★ ATE2T-2F3-10-Z     | ON                                | OFF | (ON)       |
| Connecting terminals | 2-3<br>5-6                        | —   | 2-1<br>5-4 |

## SPDT

(Mounting height : 3.1mm)

### Right angle (0.2 inch pitch)



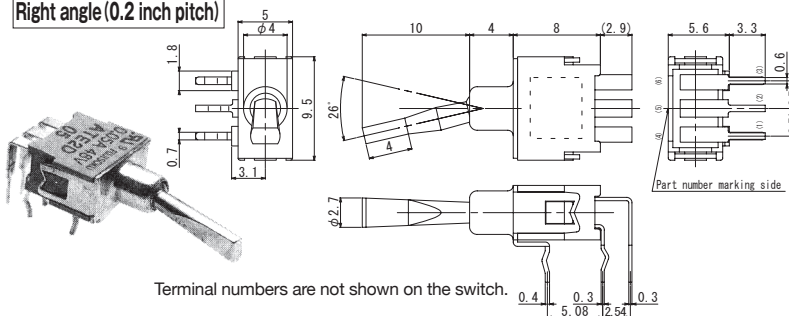
Terminal numbers are not shown on the switch.

| Part No.             | Viewed from part No. marking side |     |      |
|----------------------|-----------------------------------|-----|------|
|                      |                                   |     |      |
| ☆ ATE1D-5F3-10-Z     | ON                                | —   | ON   |
| ★ ATE1E-5F3-10-Z     | ON                                | OFF | ON   |
| ★ ATE1F-5F3-10-Z     | ON                                | —   | (ON) |
| ★ ATE1G-5F3-10-Z     | (ON)                              | OFF | (ON) |
| ★ ATE1H-5F3-10-Z     | ON                                | OFF | (ON) |
| Connecting terminals | 2-3                               | —   | 2-1  |

## DPDT

(Mounting height : 3.1mm)

### Right angle (0.2 inch pitch)



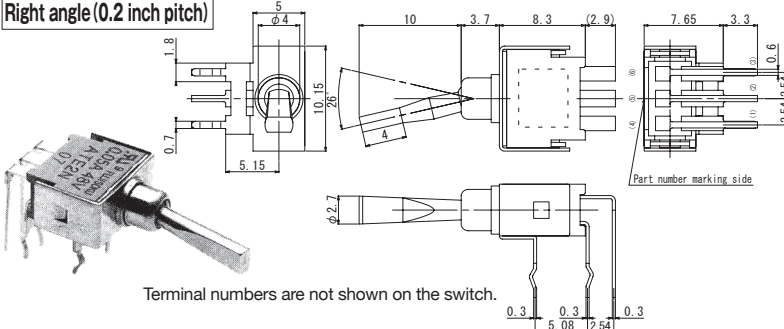
Terminal numbers are not shown on the switch.

| Part No.             | Viewed from part No. marking side |     |            |
|----------------------|-----------------------------------|-----|------------|
|                      |                                   |     |            |
| ★ ATE2D-5F3-10-Z     | ON                                | —   | ON         |
| ▲ ATE2E-5F3-10-Z     | ON                                | OFF | ON         |
| ▲ ATE2F-5F3-10-Z     | ON                                | —   | (ON)       |
| ★ ATE2G-5F3-10-Z     | (ON)                              | OFF | (ON)       |
| ▲ ATE2H-5F3-10-Z     | ON                                | OFF | (ON)       |
| Connecting terminals | 2-3<br>5-6                        | —   | 2-1<br>5-4 |

## DPDT

(Mounting height : 5.15mm)

### Right angle (0.2 inch pitch)



Terminal numbers are not shown on the switch.

| Part No.             | Viewed from part No. marking side |     |            |
|----------------------|-----------------------------------|-----|------------|
|                      |                                   |     |            |
| ★ ATE2N-5F3-10-Z     | ON                                | —   | ON         |
| ▲ ATE2P-5F3-10-Z     | ON                                | OFF | ON         |
| ▲ ATE2R-5F3-10-Z     | ON                                | —   | (ON)       |
| ▲ ATE2S-5F3-10-Z     | (ON)                              | OFF | (ON)       |
| ▲ ATE2T-5F3-10-Z     | ON                                | OFF | (ON)       |
| Connecting terminals | 2-3<br>5-6                        | —   | 2-1<br>5-4 |

(ON) : Momentary.

▲ : Inquiry products.

☆ : Semi-standard products.

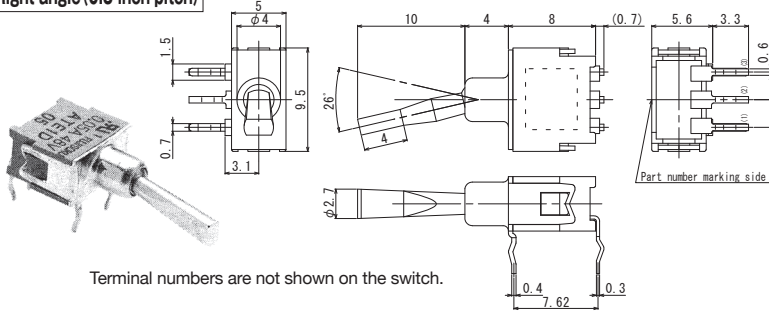
★ : Made to order products.



**SPDT**

(Mounting height : 3.1mm)

Right angle (0.3 inch pitch)



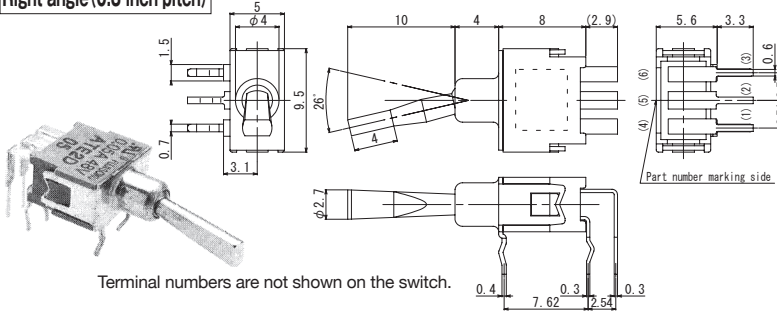
Terminal numbers are not shown on the switch.

| Part No.             | Switching function                |     |      |
|----------------------|-----------------------------------|-----|------|
|                      | Viewed from part No. marking side |     |      |
|                      |                                   |     |      |
| ★ATE1D-6F3-10-Z      | ON                                | —   | ON   |
| ★ATE1E-6F3-10-Z      | ON                                | OFF | ON   |
| ★ATE1F-6F3-10-Z      | ON                                | —   | (ON) |
| ☆ATE1G-6F3-10-Z      | (ON)                              | OFF | (ON) |
| ★ATE1H-6F3-10-Z      | ON                                | OFF | (ON) |
| Connecting terminals | 2-3                               | —   | 2-1  |

**DPDT**

(Mounting height : 3.1mm)

Right angle (0.3 inch pitch)



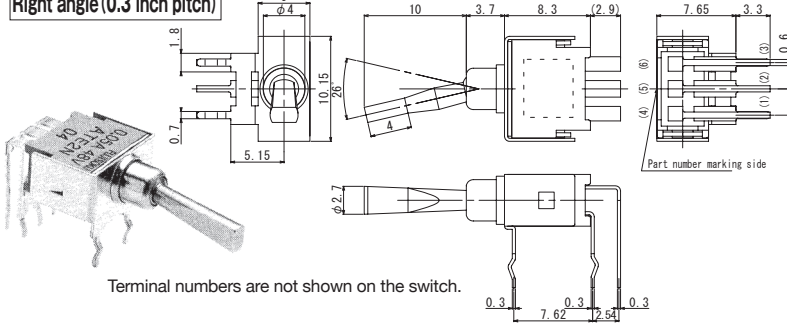
Terminal numbers are not shown on the switch.

| Part No.             | Switching function                |     |            |
|----------------------|-----------------------------------|-----|------------|
|                      | Viewed from part No. marking side |     |            |
|                      |                                   |     |            |
| ☆ATE2D-6F3-10-Z      | ON                                | —   | ON         |
| ★ATE2E-6F3-10-Z      | ON                                | OFF | ON         |
| ▲ATE2F-6F3-10-Z      | ON                                | —   | (ON)       |
| ▲ATE2G-6F3-10-Z      | (ON)                              | OFF | (ON)       |
| ▲ATE2H-6F3-10-Z      | ON                                | OFF | (ON)       |
| Connecting terminals | 2-3<br>5-6                        | —   | 2-1<br>5-4 |

**DPDT**

(Mounting height : 5.15mm)

Right angle (0.3 inch pitch)

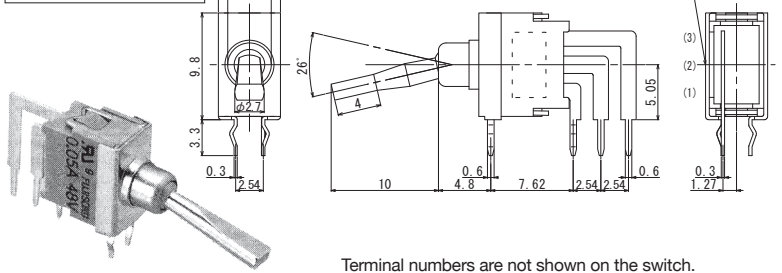


Terminal numbers are not shown on the switch.

| Part No.             | Switching function                |     |            |
|----------------------|-----------------------------------|-----|------------|
|                      | Viewed from part No. marking side |     |            |
|                      |                                   |     |            |
| ★ATE2N-6F3-10-Z      | ON                                | —   | ON         |
| ▲ATE2P-6F3-10-Z      | ON                                | OFF | ON         |
| ▲ATE2R-6F3-10-Z      | ON                                | —   | (ON)       |
| ▲ATE2S-6F3-10-Z      | (ON)                              | OFF | (ON)       |
| ▲ATE2T-6F3-10-Z      | ON                                | OFF | (ON)       |
| Connecting terminals | 2-3<br>5-6                        | —   | 2-1<br>5-4 |

**SPDT**

Vertical mounting

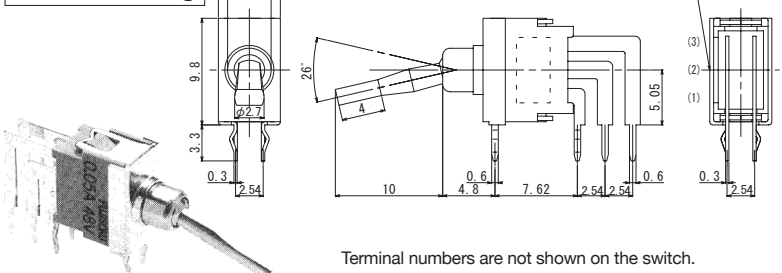


Terminal numbers are not shown on the switch.

| Part No.             | Switching function                |     |      |
|----------------------|-----------------------------------|-----|------|
|                      | Viewed from part No. marking side |     |      |
|                      |                                   |     |      |
| ★ATE1D-7F3-10-Z      | ON                                | —   | ON   |
| ▲ATE1E-7F3-10-Z      | ON                                | OFF | ON   |
| ★ATE1F-7F3-10-Z      | ON                                | —   | (ON) |
| ▲ATE1G-7F3-10-Z      | (ON)                              | OFF | (ON) |
| ★ATE1H-7F3-10-Z      | ON                                | OFF | (ON) |
| Connecting terminals | 2-3                               | —   | 2-1  |

**DPDT**

Vertical mounting



Terminal numbers are not shown on the switch.

| Part No.             | Switching function                |     |            |
|----------------------|-----------------------------------|-----|------------|
|                      | Viewed from part No. marking side |     |            |
|                      |                                   |     |            |
| ★ATE2D-7F3-10-Z      | ON                                | —   | ON         |
| ★ATE2E-7F3-10-Z      | ON                                | OFF | ON         |
| ★ATE2F-7F3-10-Z      | ON                                | —   | (ON)       |
| ▲ATE2G-7F3-10-Z      | (ON)                              | OFF | (ON)       |
| ▲ATE2H-7F3-10-Z      | ON                                | OFF | (ON)       |
| Connecting terminals | 2-3<br>5-6                        | —   | 2-1<br>5-4 |

★ : Made to order products. ☆ : Semi-standard products. (ON) : Momentary.

# ATE-J (Plastic type)

## Part Numbering (Plastic cap/Rocker type)

**A** **TE** **2** **D** - **2** **J** **3** - **10** - **Z**

Series code    Actuator shape    Number of poles    Switching function    Terminal style    Actuator shape    Bracket style    Clip mechanism

| Code | Type        |
|------|-------------|
| TE   | Toggle type |

| Fig. | Number of poles |
|------|-----------------|
| 1    | 1 pole          |
| 2    | 2 poles         |

| Code | Switching function |
|------|--------------------|
| D    | ON - ON            |
| E    | ON-OFF - ON        |
| F    | ON - (ON)          |
| G    | (ON)-OFF-(ON)      |
| H    | ON-OFF-(ON)        |

| Fig. | Terminal style               |
|------|------------------------------|
| 2    | P/C terminal                 |
| 6    | Right angle (0.3 inch pitch) |
| 7    | Vertical mounting            |

| Code | Actuator shape    |
|------|-------------------|
| J    | Plastic Knob type |

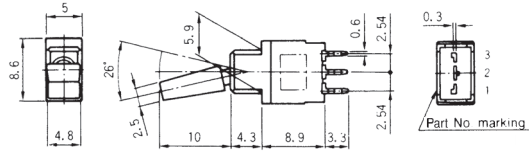
| Fig. | Bracket         |
|------|-----------------|
| 3    | Without bracket |

(Compact type)

Space between terminal rows (Double pole): 2.54 mm  
[5.08 mm is not available]

### SPDT

#### PC Straight

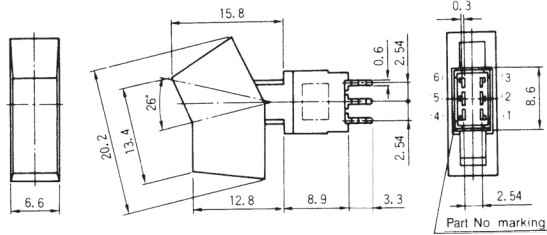
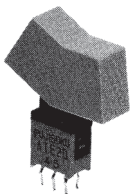


Mount with CAP

| Part No.             | Switching function                |     |      |
|----------------------|-----------------------------------|-----|------|
|                      | Viewed from part No. marking side |     |      |
| ☆ATE1D-2J3-10-Z      | ON                                | —   | ON   |
| ★ATE1E-2J3-10-Z      | ON                                | OFF | ON   |
| ▲ATE1F-2J3-10-Z      | ON                                | —   | (ON) |
| ▲ATE1G-2J3-10-Z      | (ON)                              | OFF | (ON) |
| ★ATE1H-2J3-10-Z      | ON                                | OFF | (ON) |
| Connecting terminals | 2-3                               | —   | 2-1  |

### DPDT

#### PC Straight

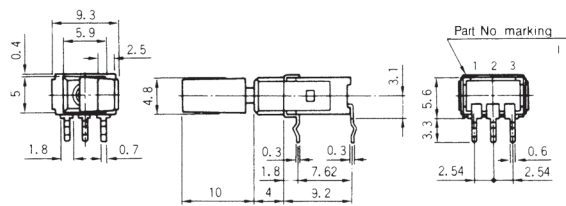
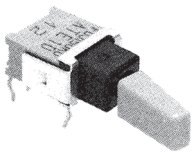


Mount with Rocker

| Part No.             | Switching function                |     |            |
|----------------------|-----------------------------------|-----|------------|
|                      | Viewed from part No. marking side |     |            |
| ★ATE2D-2J3-10-Z      | ON                                | —   | ON         |
| ▲ATE2E-2J3-10-Z      | ON                                | OFF | ON         |
| ▲ATE2F-2J3-10-Z      | ON                                | —   | (ON)       |
| ▲ATE2G-2J3-10-Z      | (ON)                              | OFF | (ON)       |
| ▲ATE2H-2J3-10-Z      | ON                                | OFF | (ON)       |
| Connecting terminals | 2-3<br>5-6                        | —   | 2-1<br>5-4 |

### SPDT

#### Right angle (0.3 inch pitch)

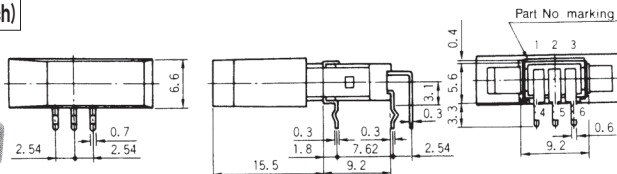
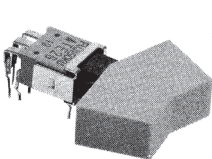


Mount with CAP

| Part No.             | Switching function                |     |      |
|----------------------|-----------------------------------|-----|------|
|                      | Viewed from part No. marking side |     |      |
| ★ATE1D-6J3-10-Z      | ON                                | —   | ON   |
| ▲ATE1E-6J3-10-Z      | ON                                | OFF | ON   |
| ▲ATE1F-6J3-10-Z      | ON                                | —   | (ON) |
| ▲ATE1G-6J3-10-Z      | (ON)                              | OFF | (ON) |
| ▲ATE1H-6J3-10-Z      | ON                                | OFF | (ON) |
| Connecting terminals | 2-3                               | —   | 2-1  |

### DPDT

#### Right angle (0.3 inch pitch)



Mount with Rocker

| Part No.             | Switching function                |     |            |
|----------------------|-----------------------------------|-----|------------|
|                      | Viewed from part No. marking side |     |            |
| ▲ATE2D-6J3-10-Z      | ON                                | —   | ON         |
| ▲ATE2E-6J3-10-Z      | ON                                | OFF | ON         |
| ▲ATE2F-6J3-10-Z      | ON                                | —   | (ON)       |
| ▲ATE2G-6J3-10-Z      | (ON)                              | OFF | (ON)       |
| ▲ATE2H-6J3-10-Z      | ON                                | OFF | (ON)       |
| Connecting terminals | 2-3<br>5-6                        | —   | 2-1<br>5-4 |

#### Notes:

- Install the cap/rocker accessory after soldering and cleaning.
- Specify the shape and coloring when ordering.
- Space between terminal rows: 5.08 mm is not available.

● Color cap and Rocker accessories are sold separately.

Terminal numbers are not shown on the switch.

(ON) : Momentary.

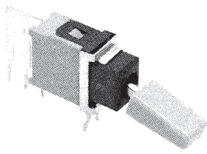
★ : Made to order products.

☆ : Semi-standard products.

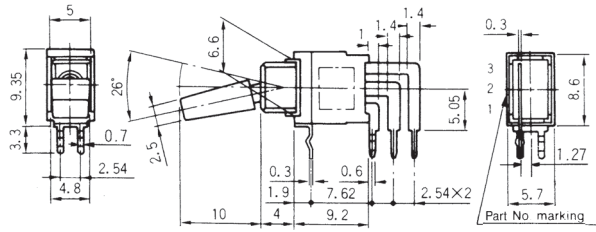
▲ : Inquiry products.

**SPDT**

Vertical mounting



Mount with CAP

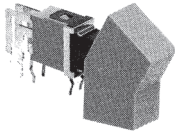


Terminal numbers are not shown on the switch.

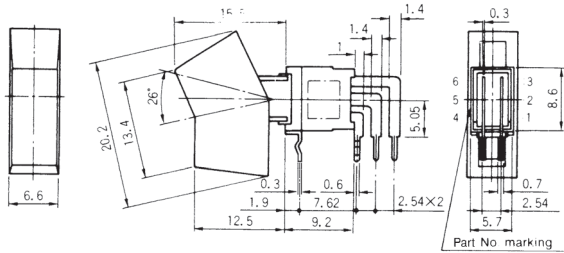
| Switching function<br>Part No. | Viewed from part No. marking side |     |      |
|--------------------------------|-----------------------------------|-----|------|
|                                |                                   |     |      |
| ★ATE1D-7J3-10-Z                | ON                                | —   | ON   |
| ▲ATE1E-7J3-10-Z                | ON                                | OFF | ON   |
| ▲ATE1F-7J3-10-Z                | ON                                | —   | (ON) |
| ▲ATE1G-7J3-10-Z                | (ON)                              | OFF | (ON) |
| ▲ATE1H-7J3-10-Z                | ON                                | OFF | (ON) |
| Connecting terminals           | 2-3                               | —   | 2-1  |

**DPDT**

Vertical mounting



Mount with Rocker



Terminal numbers are not shown on the switch.

| Switching function<br>Part No. | Viewed from part No. marking side |     |            |
|--------------------------------|-----------------------------------|-----|------------|
|                                |                                   |     |            |
| ▲ATE2D-7J3-10-Z                | ON                                | —   | ON         |
| ▲ATE2E-7J3-10-Z                | ON                                | OFF | ON         |
| ▲ATE2F-7J3-10-Z                | ON                                | —   | (ON)       |
| ▲ATE2G-7J3-10-Z                | (ON)                              | OFF | (ON)       |
| ▲ATE2H-7J3-10-Z                | ON                                | OFF | (ON)       |
| Connecting terminals           | 2-3<br>5-6                        | —   | 2-1<br>5-4 |

**Optional Accessories**

(Sold separately)

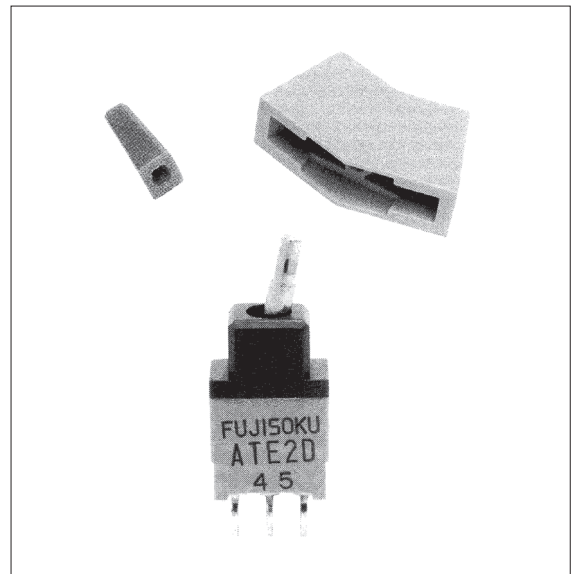
| Type       | ATE-2J · 6J · 7J   | ATE-2J · 6J · 7J    |
|------------|--------------------|---------------------|
| Part name  | <b>Color Cap</b>   | <b>Rocker</b>       |
| Dimensions |                    |                     |
| White      | <b>14000050884</b> | <b>140000481541</b> |
| Red        | <b>14000050886</b> | <b>140000481543</b> |
| Black      | <b>14000050885</b> | <b>140000481542</b> |

●PC hole layout is different depending on the type of Bracket.

| Type        | ATE-2J              |
|-------------|---------------------|
| Part name   | <b>Bracket</b>      |
| Dimensions  |                     |
| Part number | <b>140000640296</b> |

**Color Cap and Rocker**

Installation Procedure for ATE-J type





■ PC Hole Layouts

PC terminal

(Top view)

| Series code                            | ATE-2M·2F·2J     | ATE-2M·2F                     |              |              | ATE-2J       |
|--|------------------|-------------------------------|--------------|--------------|--------------|
| Installation                           | Whithout bracket | When optional bracket is used |              |              |              |
|  |                  | 140000640314                  | 140000640315 | 140000640318 | 140000640296 |
| 1-pole                                 |                  |                               |              |              |              |
| 2-poles<br>2.54mm<br>Two terminal rows |                  |                               |              |              |              |
| 2-poles<br>5.08mm<br>Two terminal rows |                  |                               |              |              |              |

Right Angle terminal · Vertical Mount terminal

(Top view)

| Series code | ATE-5M · 5F           | ATE-6M · 6F · 6J      | ATE-7M · 7F · 7J |
|-------------|-----------------------|-----------------------|------------------|
| Terminal    | R/A<br>0.2-inch pitch | R/A<br>0.3-inch pitch | Vertical mount   |
| 1-pole      |                       |                       |                  |
| 2-poles     |                       |                       |                  |

■ Bracket Mounted Dimensions.

| Type       | ATE-2M   | ATE-2F |
|------------|----------|--------|
|            | Standard | Flat   |
| Dimensions |          |        |

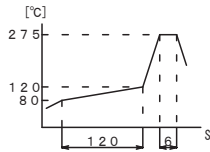
**■Soldering Specifications**

(1)Manual Soldering

Device : Soldering iron  
380°C, Max.; 3 seconds, Max.

(2)Auto Soldering

Device : Jet wave type or dip type  
275°C, Max.; 6 seconds, Max.



●Pre-heating should be done at temperatures ranging from 80°C to 120°C and within 120 seconds

(3)Install the cap/rocker accessory after soldering and cleaning.

**■Flux Cleaning**

(1)Solvent : Fluorine or Alcohol type.

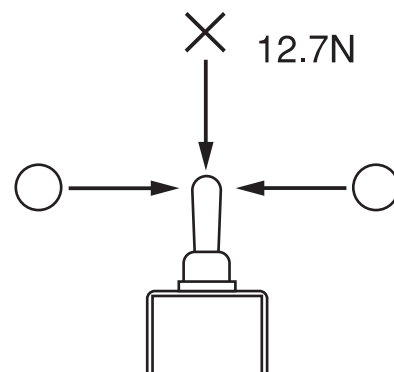
(2)Cleaning after soldering should be done after the terminal temperature falls to 90°C or below, or after leaving the switch for five minutes or longer at room temperature.

**■Packaging Specifications**

|               |  |  |
|---------------|--|--|
| Plastick Pack |  | PC terminals<br>: 100 pcs./pack              |
| Plastick Pack |  | Right angle terminals<br>: 50 pcs./pack      |
|               |  | Vertical mounting terminals<br>100 pcs./pack |

**■Mounting of Switch**

- Use PC boards with hole diameter of 1mm.
- Do not bend the terminal pins before mounting the switch on the PC board.
- After mounting the switch, do not place the device in such a way that the device weight will be applied on to the actuator of the switch.
- Do not apply load exceeding 12.7 N to the actuator.



## X-ON Electronics

Largest Supplier of Electrical and Electronic Components

*Click to view similar products for [Toggle Switches](#) category:*

*Click to view products by [Nidec Copal](#) manufacturer:*

Other Similar products are found below :

[A19HV](#) [8A1-C-222](#) [60012L](#) [6006L](#) [6663](#) [7101MD9V30GE](#) [7101SPDV30BE](#) [7103SDV30BE](#) [7105D](#) [7108P3YAV2BE](#) [71YY50282](#)  
[7201MD9AVBE](#) [7301K38](#) [7306K36](#) [7310K36](#) [7314K36](#) [7506K4](#) [7592K6](#) [7691K14](#) [7700K1](#) [8396K108](#) [8824K14](#) [8828K13](#) [G2VX](#) [G3VX](#)  
[PS83-121G](#) [A101MD9AB04](#) [A101SD9AB04](#) [A101SDCQ04](#) [A103SD9AQ04](#) [A107TZB04](#) [A123P32YZQ](#) [A123S1YZG](#) [A127S1YCQ](#) [1-](#)  
[1825192-0](#) [A131S1YZQ](#) [A201SCWZB04](#) [A207SYCB04](#) [A208J61ZQ0004](#) [A221K12KAG](#) [A221S1YZQ](#) [A221T1TCQ](#) [A232K12KZQ](#)  
[A232M1YCQ](#) [A323S1CWZQ](#) [A423S1CWZG-M8](#) [A423S1YZQ](#) [12149A-3V](#) [12156AX408](#) [12147AGKX679](#)