

SP101

Pushbutton Switches



RoHS Compliant

■ Features

1. Sharp Tactile Feel

Snap action mechanism provides light tactile feel.

2. Gold-Plated Contacts for Low Current Applications

3. Compatible with PC Board Mount and Snap-in Panel Mount

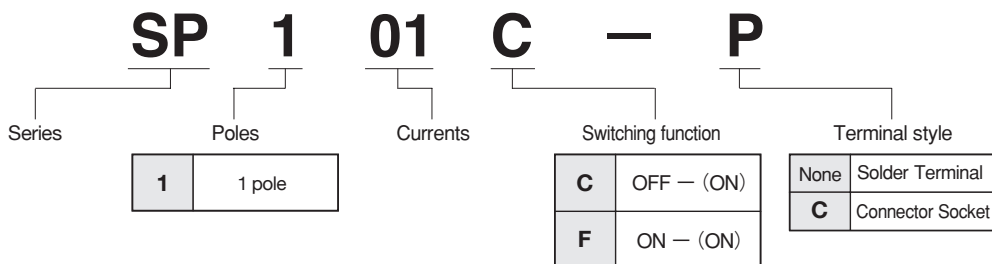
4. 3 Types of Terminals

Terminal styles are available in Solder terminal, and connector socket (EHR-5 from JST).

■ Specifications

Rating	60mA 30VDC Max.	
Initial contact resistance	50mΩ max.	(1.5mA 200μVAC)
Dielectric strength	500VAC 1 minute	
Initial insulation resistance	1,000MΩ min.	(500VDC)
Electrical life	50,000 operations	
Operating force	2.94±0.98N	
Operating temperature range	-20~+85°C	
Storage temperature range	-40~+85°C	

■ Part Numbering



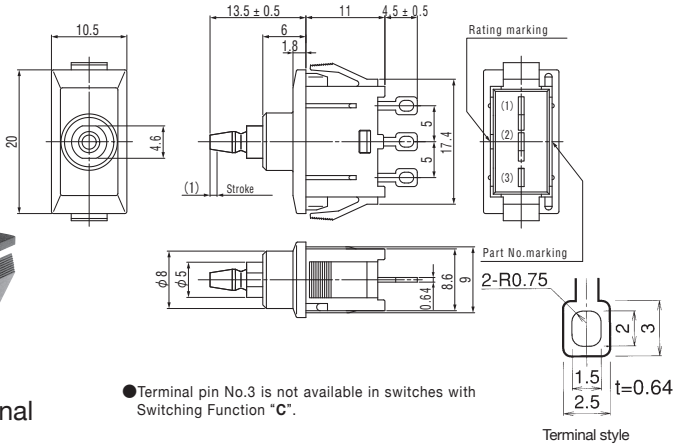
■ Optional Accessories

Part Name		Color Button		
		φ 8	φ 10	φ 15
Dimension A		7.5	8	10
Dimension B		7.5	8	10
 (Polyamide resin)	White	140000481420	140000480082	140000480088
	Red	140000481421	140000480083	140000480089
	Black	140000481422	140000480081	140000480090
	Gray	140000481423	140000480084	140000480091

■ Table of Part Numbers

Terminal style	Switching function	
	OFF — (ON)	ON — (ON)
Solder Terminal	★SP101C	—
Connector Socket	—	SP101F—C

SP101C
SP101F

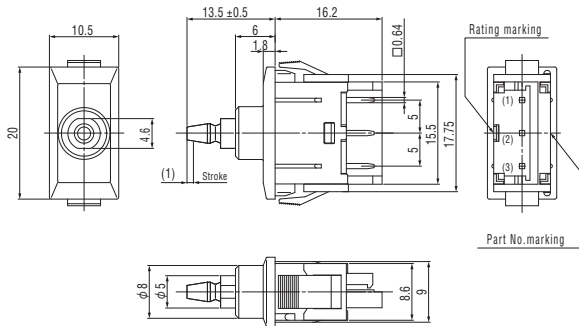


Solder Terminal

Switching function		
Part No.	SP101C	(ON)
Connecting terminals	—	1—2
Part No.	SP101F—C	(ON)
Connecting terminals	1—3	1—2

(ON) : Momentary.

SP101F—C

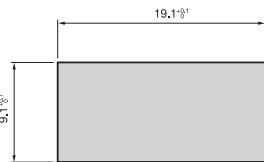


Connector Socket

※ Mating connector : J.S.T.CO.,LTD connector **EHR—5** series

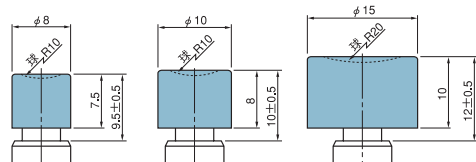
■ Panel Cut-Out Dimensions

Panel thickness : 1~2 mm



The edges on the back of the cut-out panel should be squared so that the switch box bites the panel firmly.

■ Color Button Mounting Dimensions



■ Soldering Specifications

(1) Manual Soldering

Device: Soldering iron

380°C, Max.; 3 seconds, Max.

■ Flux Cleaning

(1) Solvent :Fluorine or Alcohol type.

(2) The **SP101** series are not washable. To wash the PC board, clean the soldering surface of the PC board with a brush so that the switch is not exposed to the cleaning solution.

X-ON Electronics

Largest Supplier of Electrical and Electronic Components

Click to view similar products for [Switch Bezels / Switch Caps](#) category:

Click to view products by [Nidec Copal](#) manufacturer:

Other Similar products are found below :

[896809000](#) [LW1A-B2-R](#) [LW2A-B1-G](#) [704.604.4](#) [704.955.3](#) [F1403](#) [7527](#) [760203000](#) [760503000](#) [766601000](#) [785105000](#) [785106000](#)
[79211759](#) [MG12KB](#) [MH11](#) [MH13](#) [MHU31](#) [MJ1216](#) [MJ1226](#) [MJ33](#) [MJ612](#) [MJ626](#) [MJ627](#) [9001T8BK](#) [908-1634](#) [92-343.200](#) [92-343.400](#)
[95804.920](#) [95CAP-011](#) [95CAP-112](#) [11-932.7](#) [99-901.9](#) [99-902.9](#) [99-909.4](#) [99-909.5](#) [99-920.8](#) [A0261A](#) [11-931.2](#) [11-932.5](#) [11-936](#)
[AKTSC22B](#) [AT496H](#) [AW-RF8](#) [161006](#) [1825068-6](#) [184-1872](#) [187-1872](#) [188-1471](#) [18-920.1](#) [C1103](#)