

# FP

- Terminal Pins: Kinked
- Actuator Color: Yellow

## Ultra-Miniature Pushbutton Switches

Washable

RoHS Compliant



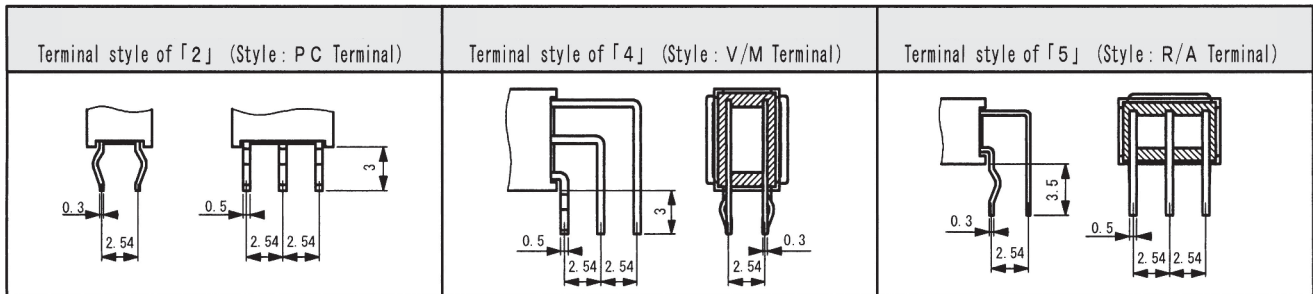
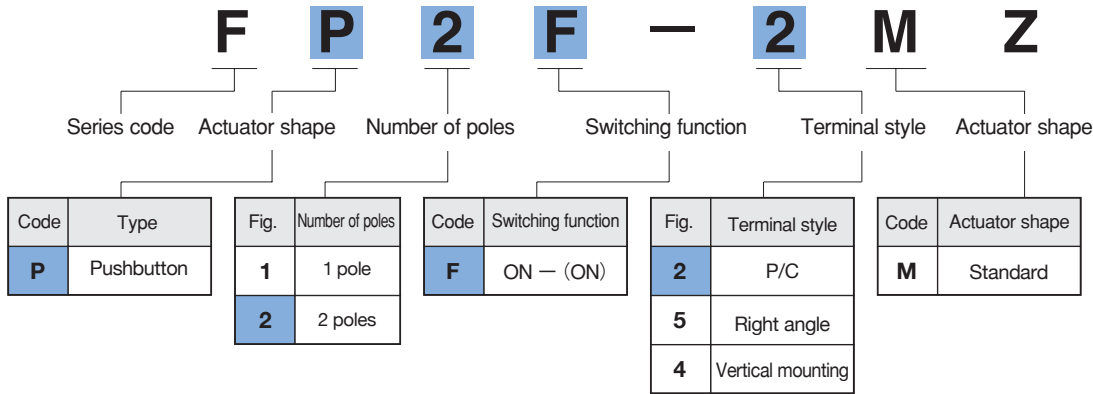
### ■ Features

1. Ultra-miniature pushbutton switch for high density mounting.
2. Washable.
3. Terminal pin pitch: 2.54 mm.
4. Independent detent mechanism ensures light operational feel.
5. Clip contact mechanism for long-term contact reliability.
6. Gold-plated contacts.

### ■ Specification

Rating	Max.	0.4VA (28VDC max.)
	Min.	1μA 20mVDC
Initial contact resistance	100mΩmax. (1.5mA 200μVAC)	
Dielectric strength	250V AC 1 minute	
Insulation resistance	500MΩ min. (250VDC)	
Electrical life	10,000 operations at max.rating, 30,000 operations at min.rating,	
Mechanical life	30,000 cycles	
Operating force	1.47 ± 0.98N	
Operating temperature range	-40~+85°C	
Storage temperature range	-40~+85°C	

### ■ Part Numbering

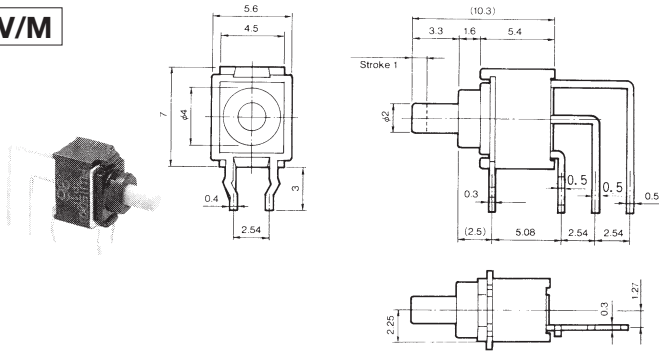




# FP

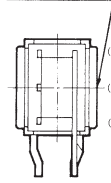
## SPDT

V/M

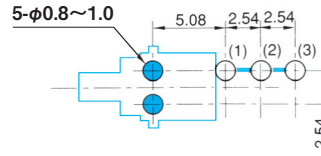


Terminal numbers are not shown on the switch.

Part No. marking side



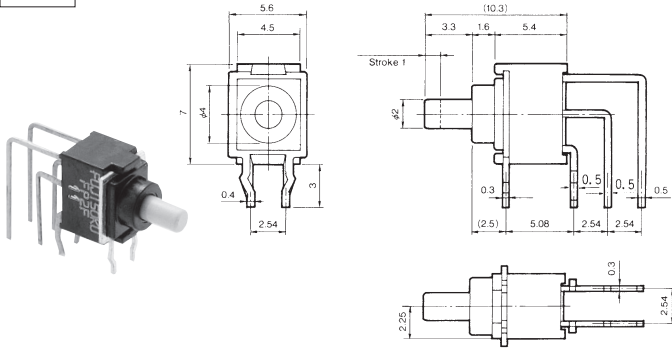
Switching function		
Part No.	ON	(ON)
FP1F-4M-Z	ON	(ON)
Connecting terminals	2-3	2-1



(Top view)  
PC Hole Layouts

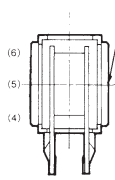
## DPDT

V/M

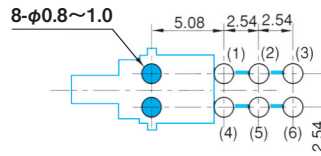


Terminal numbers are not shown on the switch.

Part No. marking side



Switching function		
Part No.	ON	(ON)
★FP2F-4M-Z	ON	(ON)
Connecting terminals	2-3 5-6	2-1 5-4



(Top view)  
PC Hole Layouts

## ■ Handling Precautions (FP, FT, FL)

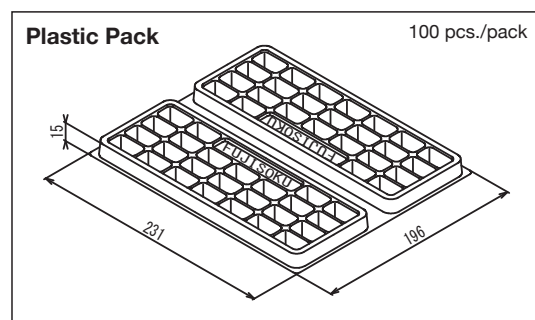
### 1. Soldering Specifications

- (1) Manual Soldering
  - Device : Soldering iron
  - 380°C, Max.; 3 seconds, Max.
- (2) Auto soldering
  - Device : Jet wave type or dip type
  - 275°C, Max.; 6 seconds, Max.
  - Pre-heating should be done at temperatures from 80 to 120°C and within 120 seconds.
- (3) When soldering two or more terminals to the common land, use solder resist to solder them independently.

### 2. Flux Cleaning

- (1) Solvents : Fluorine or Alcohol type
- (2) Cleaning after soldering should be done after the PC board is exposed to room temperature (30°C or below) for 1 to 2 hours.
- (3) Do not use ultrasonic cleaning.

## ■ Packaging Specifications



The blue line shows the outline of the switch.

(ON) : Momentary.

★ : Made to order products.

## X-ON Electronics

Largest Supplier of Electrical and Electronic Components

*Click to view similar products for [Nidec Copal](#) manufacturer:*

Other Similar products are found below :

[CT-94EW501](#) [8G1014-Z](#) [ET210P12-Z](#) [8G1022-Z](#) [PS60-102R-PMCN](#) [SD-1110](#) [CHS-06A](#) [CHP-081TA](#) [F412R-05MB](#) [ST-4EA 200 ohm](#)  
[\(201\)](#) [PG-100N-102R](#) [PA-830-351A-VCR](#) [PS83-102G](#) [PG-100B-103R-M](#) [PG-100N-101R-H](#) [RJ-6F104](#) [8J1021-Z](#) [ATE1D-7J3-10-Z](#)  
[8C2021-Z](#) [PA-20-302R-U-3M](#) [ST-5ETW202](#) [CL-SB-22B-01](#) [8Y3011-Z](#) [PS6-102V-PAR](#) [PA-800-102V-10](#) [RJ-5EW103](#) [8R2022-N-Z](#) [PA-](#)  
[20-302R-M-3M](#) [8E2011C-Z](#) [SH-7030MC](#) [CS-7-14MB](#) [SH-7070MC](#) [CHP-081B](#) [MG16B-060-AB-00](#) [PA-850-102V-NG2](#) [REC16A50-201-C](#)  
[RE30E-100-213-1](#) [JT30-340-500](#) [PG-35-102R-NVC](#) [JT22-120-C00](#) [CFS-0201MB](#) [PG-100-101RP](#) [J50S 500](#) [JP-30 1K](#) [JC22S 5K 0.5%](#)  
[WL10-NP-2](#) [PG-30-103R-P](#) [ASE2N-6M-10-Z](#) [FPM-12](#) [CFP-0402MB](#)