

# CF-LA

## High In-Rush Rocker Switches

Simple Dustproof

UL

C-US UL

ENEC

RoHS Compliant



### Features

1. High in-rush rocker switch
2. Rush Solder Terminals
3. Five types of terminal (Solder, Tab, PC Straight, R/A and L/A)
4. Simple dustproof structure (IP40 rating)
5. C-US UL, UL (TV-8) and ENEC approved products.

### Specifications

Rating	Max.	16A125VAC or 16A250VAC (Resistive load)
	Min.	5VAC / DC 10mA
Initial contact resistance	20mΩ max.	
Initial Dielectric strength	1500VAC 1minute	
Initial insulation resistance	100MΩ min.	
Operating force	1~8N	
Electrical life	20,000 cycles	
Operating temperature range	-25~+85°C	
Storage temperature range	-40~+85°C	

### Approvals

C-US UL、UL : E43275  
ENEC : 1312466

### Part Numbering

**CF-LA** — **2** **K** **Z2** — **1** **C**

Series code    Number of poles    Switching function    Terminal style    Roker design    Packaging spec

Fig.	Number of poles
1	1 pole
2	2 poles

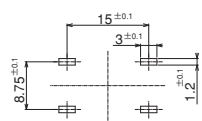
Code	Switching function
A	ON — OFF
K	ON — OFF

Code	Terminal style
C	PC Straight
C4	PC-R/A
C5	PC-L/A
L	Solder Terminals
Z2	TAB:#250

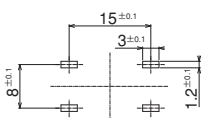
Fig.	Roker design	Fig.	Roker design
1	Unfigured	—	
2	●	5	— ○
3	○	—	

Code	Packaging spec
Blank	Plastic bags
C	Card board Tray

### PC Hole Layouts

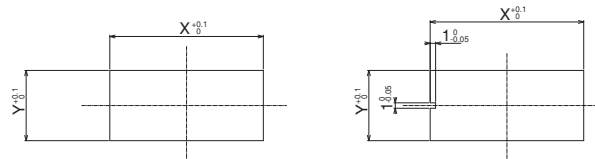


PC

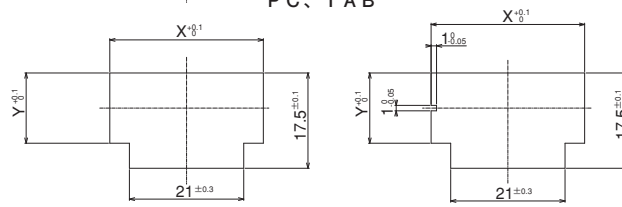


R/A、L/A

### Panel Cut-Out Dimensions



PC、TAB



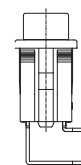
R/A、L/A

R/A

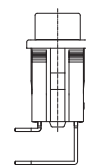
Panel thickness	X	Y
0.75~1.25	28.2	12.9
1.25以上~2	28.4	12.9
2~3	28.8	12.9

### Terminal Styles

Solder Terminals (Style:L)	TAB#250 (Style:Z2)	PC Straight (Style:C)	R/A (Style:C4) L/A (Style:C5)



R/A

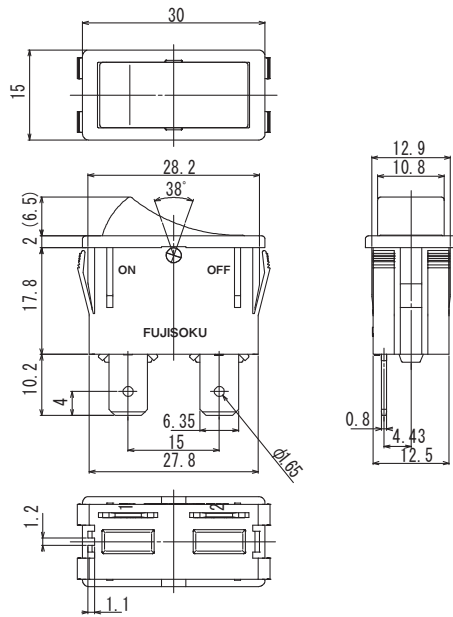


L/A

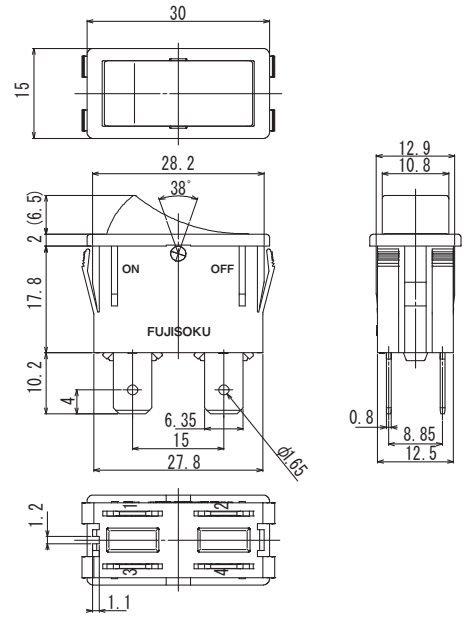
※For the L/A terminal, only two poles are available.

## Outline dimensions

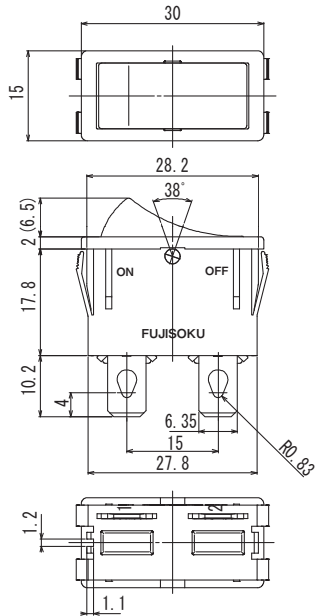
### ● Tab:#250 1Pole



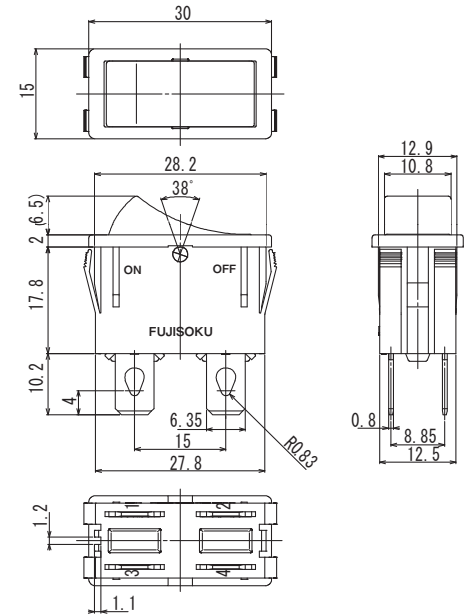
### ● Tab:#250 2Poles



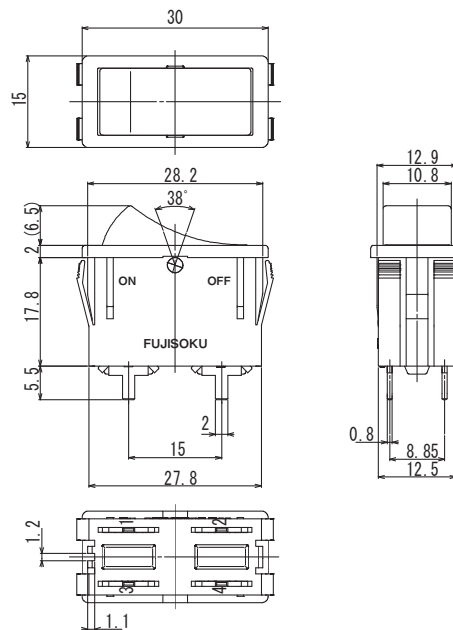
### ● Solder 1Pole



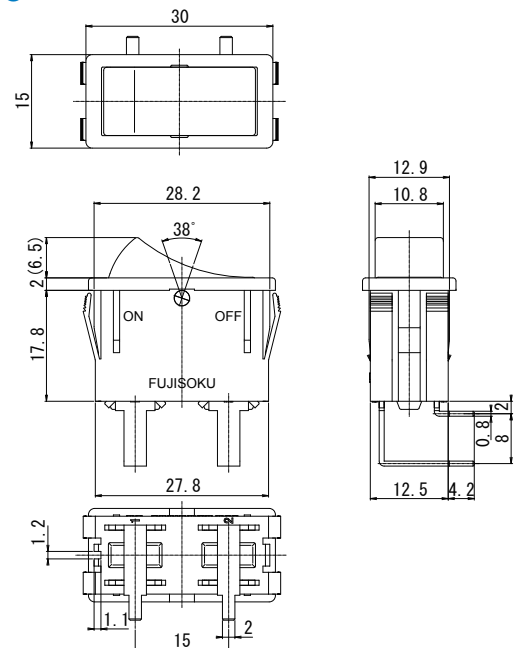
### ● Solder 2Poles



### ● P/C 1and2Poles



### ● PC-L/A 2Poles



## List part numbers

Number of poles	Switching function	Terminal style	Rocker design			Pieces in package	Packaging spec
			No marking	●	○		
1 Pole	ON-OFF	PC-R/A	—	—	CF-LA-1AC4-3C	100pcs./pack	Card board Tray
		Solder Terminals	CF-LA-1AL-1C	CF-LA-1AL-2C	—		
		Tab:#250	CF-LA-1AZ2-1C	—	CF-LA-1AZ2-3C		
2 Poles	ON-OFF	PC Straight	—	—	CF-LA-2KC-3C		
		PC-L/A	—	—	CF-LA-2KC5-3C		
		Solder Terminals	CF-LA-2KL-1C	—	—		
1 Pole	ON-OFF	Tab:#250	CF-LA-2KZ2-1C	—	CF-LA-2KZ2-3C		
		PC-R/A	—	—	CF-LA-1AC4-3		
		Solder Terminals	CF-LA-1AL-1	CF-LA-1AL-2	CF-LA-1AL-3		
2 Poles	ON-OFF	Tab:#250	—	—	CF-LA-1AZ2-3	5pcs./pack	Plastic bags
		Tab:#250	—	CF-LA-2KZ2-2	CF-LA-2KZ2-3		

Number of poles	Switching function	Terminal style	Rocker design			Pieces in package	Packaging spec
			—	— ○	—		
2 Poles	ON-OFF	Tab:#250	—	CF-LA-2KZ2-5C	—	100pcs./pack	Card board Tray
2 Poles	ON-OFF	PC Straight	—	CF-LA-2KC-5	—	5pcs./pack	Plastic bags
		Tab:#250	—	CF-LA-2KZ2-5	—		

## Soldering Specifications

### (1) Auto Soldering

Device : Jet wave type or dip type  
260°C ; 5-6 seconds, Max.

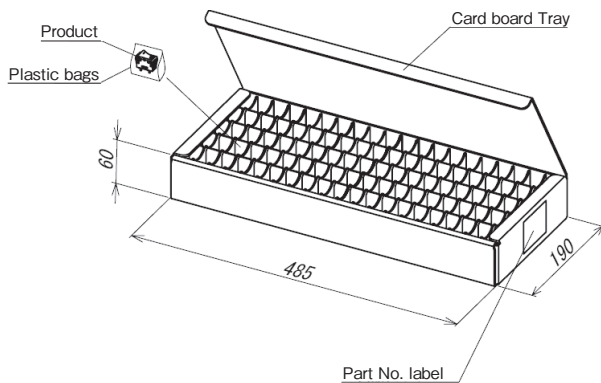
- Pre-heating should be done at temperatures ranging from 80°C to 150°C and within 2 or 3 minutes  
The auto soldering is applicable to the PC terminals only.

### (2) Manual Soldering

Device : Soldering iron  
380°C, Max.; 3 seconds, Max.

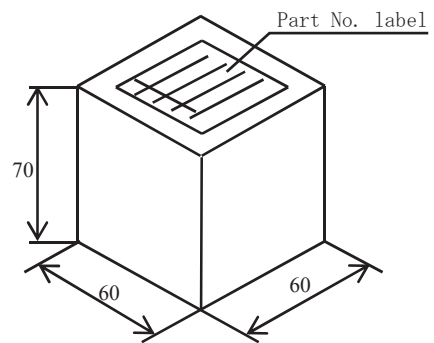
## Packing Specification

Card board Tray(100pcs. / pack)



Plastic bags (5pcs. / pack)

[Product packaging box]



## X-ON Electronics

Largest Supplier of Electrical and Electronic Components

*Click to view similar products for [Rocker Switches](#) category:*

*Click to view products by [Nidec Copal](#) manufacturer:*

Other Similar products are found below :

[LTI LA6E-1S-WH-RC-FN12VXCR1](#) [6-1571986-9](#) [8007K26N324V52](#) [8055K32Z7V](#) [8055K52Z7V](#) [8138K20E6M50](#) [84206L](#) [84312LX](#)  
[PREDD5-07F-BB0GW](#) [999-16716-002](#) [999-16716-003](#) [999-16716-004](#) [A101J1V3Q004](#) [A101J2ZQ004](#) [A101J4ZQ004](#) [A101J51CB0004](#)  
[A103J1ZQ004](#) [A201J1AQ004](#) [A201J3ZB004](#) [A201J50ZQ004](#) [A203J51ZQ0004](#) [A435S1YZQ](#) [H8500XBBBBL-A](#) [H8653VBBG2577W](#)  
[HB130CHNWWNAAC](#) [R13112ABB-602W](#) [1251.0303](#) [AE205J60V3B004](#) [1352.0107](#) [1571099-3](#) [1571987-4](#) [1571987-5](#) [1571989-7](#)  
[1571988-5](#) [B123J77V7B2](#) [B226J50W4Q22P](#) [B433J37ZQ22M](#) [160212E](#) [1634200-7](#) [1801.1164](#) [1839.1502](#) [PANEL-PLUG-VHP-BLACK](#)  
[PANEL-PLUG-VHP-WT](#) [K1ABBSCADN](#) [KG312A2DXD246X](#) [250011E714](#) [2600HM11E](#) [2600R21E](#) [2637LH/2A7/122048L0](#)  
[2639LH/2A7/127000L0](#)