

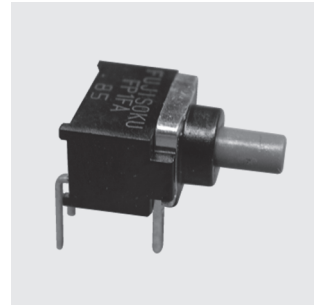
# CFP2

- Terminal Pins: Straight
- Actuator Color: Gray

## Ultra-Miniature Pushbutton Switches

Washable

RoHS Compliant



### ■ Features

1. Ultra-miniature pushbutton switch for high density mounting.
2. Washable.
3. Terminal pin pitch: 2.54 mm.
4. Independent detent mechanism ensures light operational feel.
5. Clip contact mechanism for long-term contact reliability.
6. Gold-plated contacts.

### ■ Specifications

Rating	Max.	0.4VA (28VDC max.)
	Min.	1μA 20mVDC
Initial contact resistance	100m Ω max. (1.5mA 200μVAC)	
Dielectric strength	250VAC 1 minute	
Insulation resistance	500MΩ min. (250VDC)	
Electrical life	10,000 operations at max.rating, 30,000 operations at min.rating,	
Mechanical life	30,000 cycles	
Operating force	1.47 ± 0.98N	
Operating temperature range	-40~+85°C	
Storage temperature range	-40~+85°C	

### ■ Part Numbering

**CFP2** — **2** **R** **C4** — **A** **W**

Series Actuator      Number of poles      Switching function      Terminal style      Actuator shape      Packaging spec

Code	Type
<b>P</b>	Pushbutton

Fig.	Number of poles
<b>1</b>	1 pole
<b>2</b>	2 poles

1 pole	2 poles	Switching function
<b>F</b>	<b>R</b>	ON — (ON)

Fig.	Terminal style
<b>C</b>	P/C
<b>C4</b>	Right angle
<b>C6</b>	Vertical mounting

Code	Actuator shape
<b>A</b>	Standard

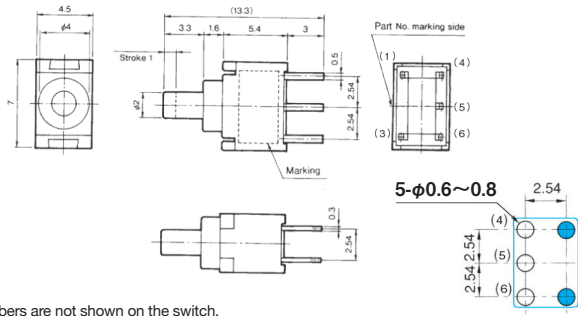
Code	Packaging spec
<b>W</b>	Tray

Terminal style of c (Style : P/C Terminal)	Terminal style of c4 (Style : R/A Terminal)	Terminal style of c6 (Style : V/M Terminal)

## CFP2

### SPDT

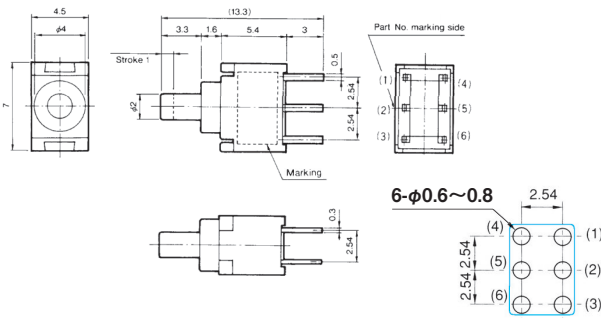
PC



Switching function		
Part No.	ON	(ON)
CFP2-1FC-AW	ON	(ON)
Connecting terminals	5-6	5-4

### DPDT

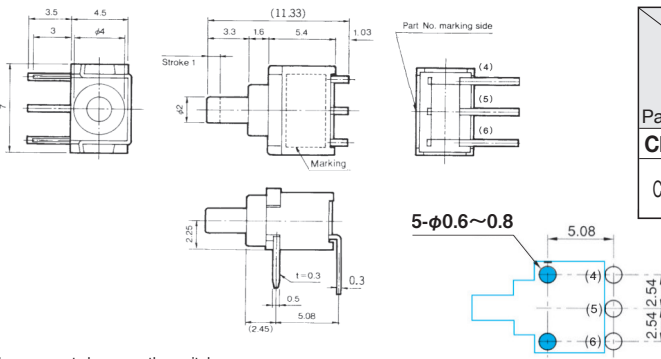
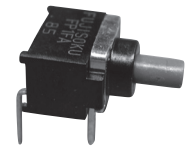
PC



Switching function		
Part No.	ON	(ON)
☆CFP2-2RC-AW	ON	(ON)
Connecting terminals	2-3 5-6	2-1 5-4

### SPDT

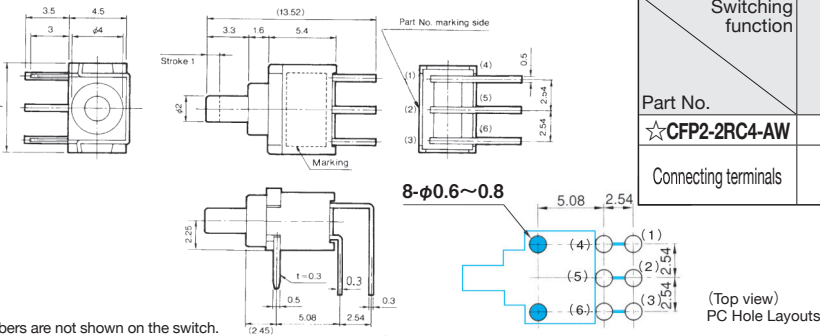
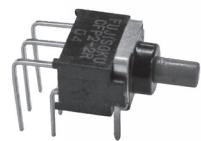
R/A



Switching function		
Part No.	ON	(ON)
CFP2-1FC4-AW	ON	(ON)
Connecting terminals	5-6	5-4

### DPDT

R/A



Switching function		
Part No.	ON	(ON)
☆CFP2-2RC4-AW	ON	(ON)
Connecting terminals	2-3 5-6	2-1 5-4

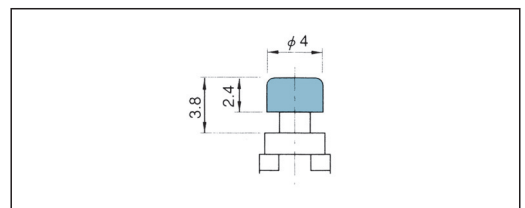
※ The above PC Hole Layouts are top view drawings.

## Optional Accessories

《Sold separately》

Part Name	Dimension	Color	Part Number
Color Cap		White	140000481453
		Red	140000481452
		Black	140000481451
		Gray	140000481450

## Color Cap Mounting



:Optional Accessories.

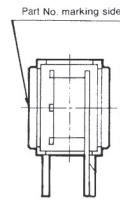
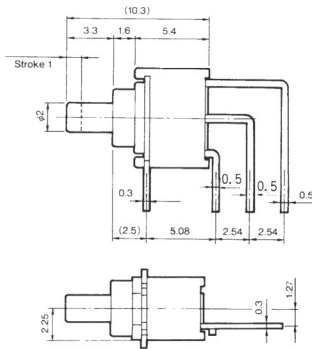
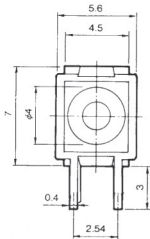
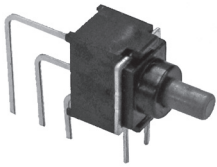
The blue line shows the outline of the switch.

(ON) : Momentary.

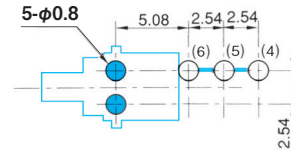
☆ : Semi-standard products.

**SPDT**

V/M



Switching function	Switching function	
Part No.	<b>CFP2-1FC6-AW</b>	
ON	ON	(ON)
Connecting terminals	5-6	5-4

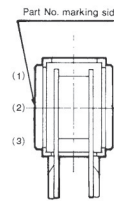
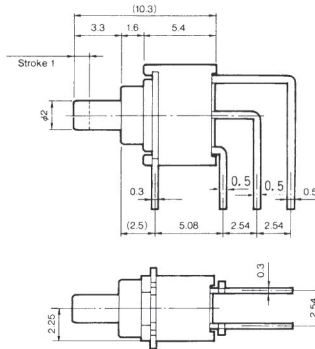
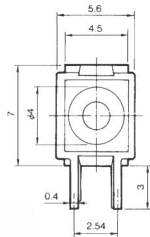
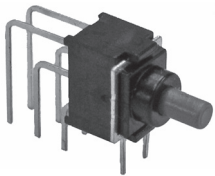


(Top view)  
PC Hole Layouts

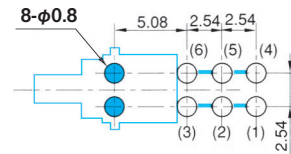
Terminal numbers are not shown on the switch.

**DPDT**

V/M



Switching function	Switching function	
Part No.	☆ <b>CFP2-2RC6-AW</b>	
ON	ON	(ON)
Connecting terminals	2-3 5-6	2-1 5-4



(Top view)  
PC Hole Layouts

Terminal numbers are not shown on the switch.

※ The above pcb hole dimengion, it is a top view drawing when we fix the switch.

**Handling Specifications (CFP2)**

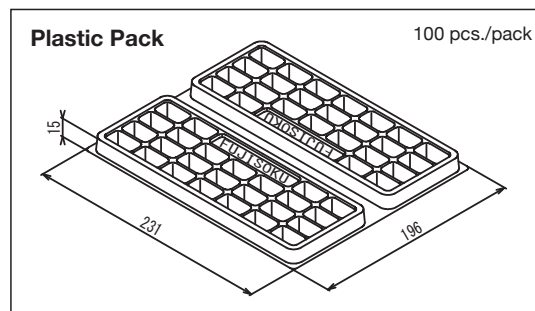
**1. Soldering Specifications**

- (1)Manual Soldering
  - Device : Soldering iron
  - 350°C, Max.; 3 seconds, Max.
- (2)Auto Soldering
  - Device : Jet wave type or dip type
  - 260°C, Max.; 3-5 seconds, Max. (One time)
  - Total dip time: Within 10 seconds
  - Pre-heating should be done at temperatures from 80°C to 120°C and within 120 seconds
- (3)When soldering two or more terminals to a common land, use solder resist to separate them

**2. Flux Cleaning**

- (1)Solvents : Fluorine or Alcohol type
- (2)Cleaning after soldering should be done after the PC board is exposed to room temperature (30°C or below) for 1 to 2 hours.
- (3)Do not use ultrasonic cleaning.

**Packaging Specifications**



The blue line shows the outline of the switch.

(ON) : Momentary.

☆ : Semi-standard products.

## X-ON Electronics

Largest Supplier of Electrical and Electronic Components

*Click to view similar products for [Pushbutton Switches](#) category:*

*Click to view products by [Nidec Copal](#) manufacturer:*

Other Similar products are found below :

[8940K2012](#) [LW1L-M1C10V-A](#) [LW1L-M1C70-A](#) [LW2L-A1C20M-GD](#) [LW2L-M1C20M-A](#) [60324L](#) [M22-D-R-GB0/K11](#) [M7E-HRN2](#)  
[67021K512](#) [67081K512X](#) [701PB580](#) [7199K101](#) [810K12910](#) [810KSV30B](#) [MML21EA2ADK](#) [MML21KA3ABK](#) [MML23KA3AC05K-001](#)  
[MML23KW3AA01W](#) [8418K2](#) [8442K3](#) [8450K1](#) [860K11911T01A](#) [861901](#) [861K11911T01A07](#) [861K13810T00A14](#) [861K13911](#)  
[8646AB6X718UL](#) [8646ABUL](#) [9001KXRK](#) [907AYY100](#) [PMHD155A1](#) [9533CD4+U574+U4922](#) [95-414.000](#) [99-450.837](#) [99-453.837](#)  
[PV3H2B0NN-341](#) [1203MRA](#) [A22NZBGANGA](#) [A22NZBNANGA](#) [A22NZMPATRA](#) [A2PMA1X03EC56](#) [A3A-5123-02](#) [A3A-7140](#) [A3A-7310](#) [A3A-7340](#) [A3U-TMW-A2C-5M](#) [A595](#) [12037A2ULCSA](#) [ABD122N-B](#) [1211390004](#)