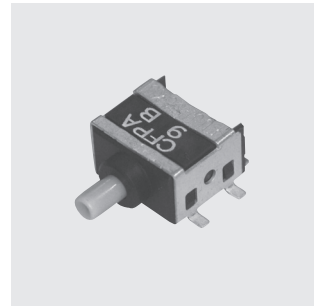


# CFPA

## Surface Mount Pushbutton Switches

Washable

RoHS Compliant



### Features

1. Compatible with Reflow Soldering
2. Washable
3. Gold-Plated Contacts for Low Current Application
4. Clip Contact Mechanism for High Contact Reliability

### Specifications

Rating	Max.	0.4VA (28VDC max.) (Resistive load)
	Min.	1 $\mu$ A 20mVDC (Resistive load)
Initial contact resistance	80m $\Omega$ max. (1.5mA 1kHz 20mV min.)	
Dielectric strength	500VAC 1 minute	
Initial insulation resistance	500M $\Omega$ min. (500VDC)	
Stroke	1.1 mm	
Operating force	1.5N $\pm$ 1N	
Electrical life	50,000 operations at max. rating	
Switch timing	Non-shorting	
Operating temperature range	-40 $^{\circ}$ C ~ +85 $^{\circ}$ C	
Storage temperature range	-40 $^{\circ}$ C ~ +85 $^{\circ}$ C	

### Part Numbering

**CFPA** - **1** **F** **B4** - **A** **2** **T**

Series code & Acuator

Code	Type
<b>P</b>	Pushbutton

Number of poles

Fig.	Number of poles
<b>1</b>	1 pole

Switching function

Code	Switching function
<b>F</b>	ON - (ON)

Terminal style

Fig.	Terminal style
<b>B4</b>	Gull wing R/A

Actuator shape

Code	Actuator shape
<b>A</b>	Standard

Contact material

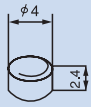
Fig.	Contact material
<b>2</b>	Gold plated

Packaging specifications

Code	Packaging specifications
<b>T</b>	Taping
<b>W</b>	Tray

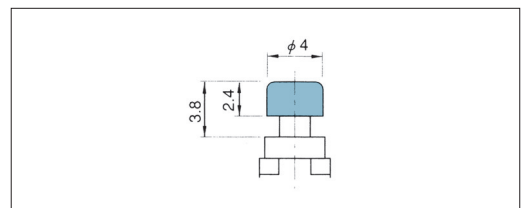
### Optional Accessories

《Sold separately》

Part Name	Dimensions	Color	Part Number
<b>Color Cap</b>	Gloss finish  ABS resin	White	<b>140000481453</b>
		Red	<b>140000481452</b>
		Black	<b>140000481451</b>
		Gray	<b>140000481450</b>

The color cap should be installed after the reflow soldering and washing process.

### Color Cap Mounting

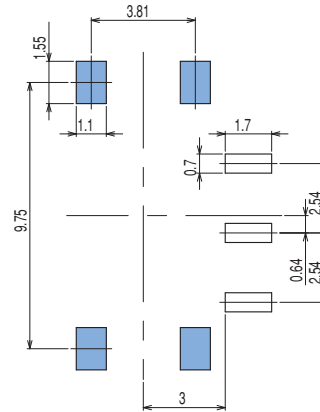


**Switching function**

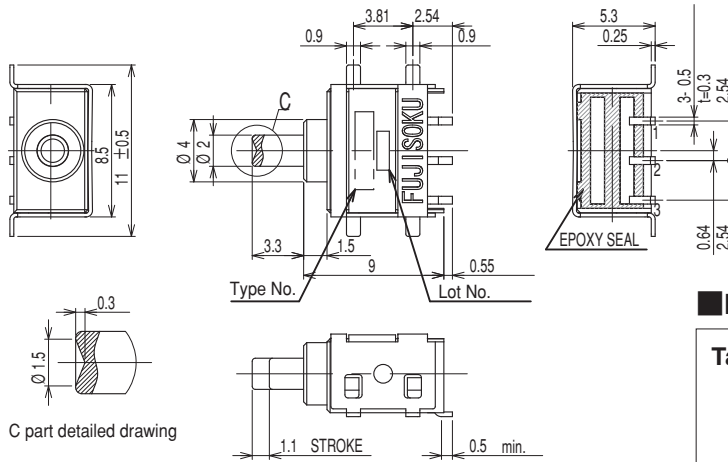
	Switching function		
Part No.		ON	(ON)
CFPA-1FB4-A2		ON	(ON)
Connecting terminals		2-3	2-1

■ : Packing specifications T or W (ON) : Momentary

**Pad Layouts**



**Dimension**



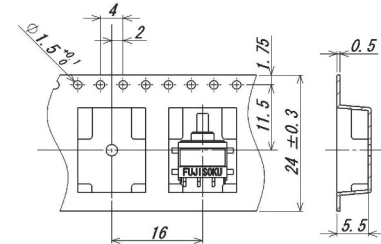
**Table of Part Numbers**

Packaging specifications	Part No.
Taping	CFPA-1FB4-A2T
Tray	CFPA-1FB4-A2W

**Packaging Specifications**

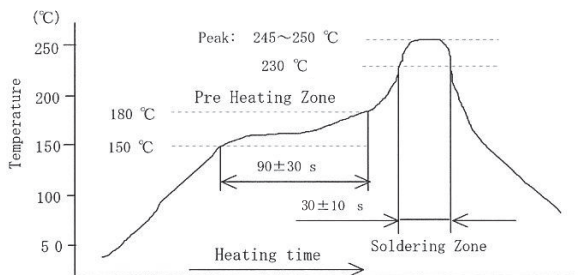
**Taping**

500 pcs/reel



**Soldering Specifications**

(1) Reflow Soldering



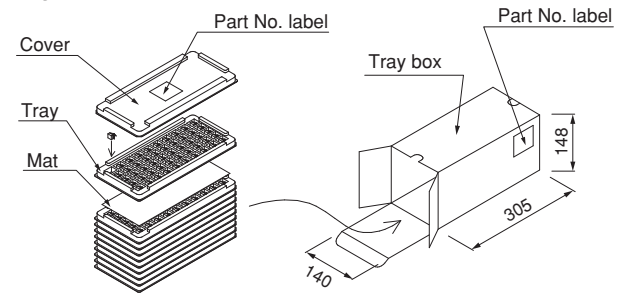
Apply reflow soldering: 2 times max.

(2) Manual Soldering

Device : Soldering iron  
Max.: 3-4 seconds. Max.

**Tray**

50 pcs/tray



**Flux Cleaning**

- (1) For the solvent, use water or alcohol. In addition, pay careful attention to use the solvent.
- (2) The cleaning method is limited to immersion cleaning only. The cleaning time is 2 minutes, max, but be sure to minimize the time as much as possible.
- (3) To clean the switch after soldering, wait until the switch temperature has cooled down to room temperature (30°C or below).
- (4) The product must be dried sufficiently after cleaning. Improper drying may result in fluctuation in torque or electrical damage.

## X-ON Electronics

Largest Supplier of Electrical and Electronic Components

*Click to view similar products for [Pushbutton Switches](#) category:*

*Click to view products by [Nidec Copal](#) manufacturer:*

Other Similar products are found below :

[8940K2012](#) [LW1L-M1C10V-A](#) [LW1L-M1C70-A](#) [LW2L-A1C20M-GD](#) [LW2L-M1C20M-A](#) [60324L](#) [M22-D-R-GB0/K11](#) [M7E-HRN2](#)  
[67021K512](#) [67081K512X](#) [701PB580](#) [7199K101](#) [810K12910](#) [810KSV30B](#) [MML21EA2ADK](#) [MML21KA3ABK](#) [MML23KA3AC05K-001](#)  
[MML23KW3AA01W](#) [8418K2](#) [8442K3](#) [8450K1](#) [860K11911T01A](#) [861901](#) [861K11911T01A07](#) [861K13810T00A14](#) [861K13911](#)  
[8646AB6X718UL](#) [8646ABUL](#) [9001KXRK](#) [907AYY100](#) [PMHD155A1](#) [9533CD4+U574+U4922](#) [95-414.000](#) [99-450.837](#) [99-453.837](#)  
[PV3H2B0NN-341](#) [1203MRA](#) [A22NZBGANGA](#) [A22NZBNANGA](#) [A22NZMPATRA](#) [A2PMA1X03EC56](#) [A3A-5123-02](#) [A3A-7140](#) [A3A-7310](#) [A3A-7340](#) [A3U-TMW-A2C-5M](#) [A595](#) [12037A2ULCSA](#) [ABD122N-B](#) [1211390004](#)