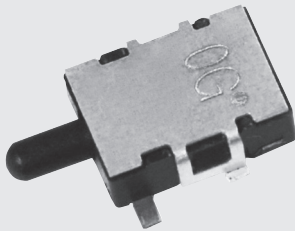


RoHS compliant



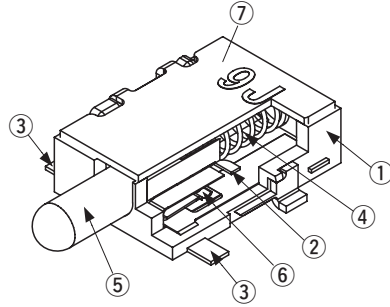
## FEATURES

- High reliability by Gold contact
- RoHS compliant
- For detection of operation from side direction
- Automatic mounting possible
- Low profile design of 2mm

## APPLICATIONS

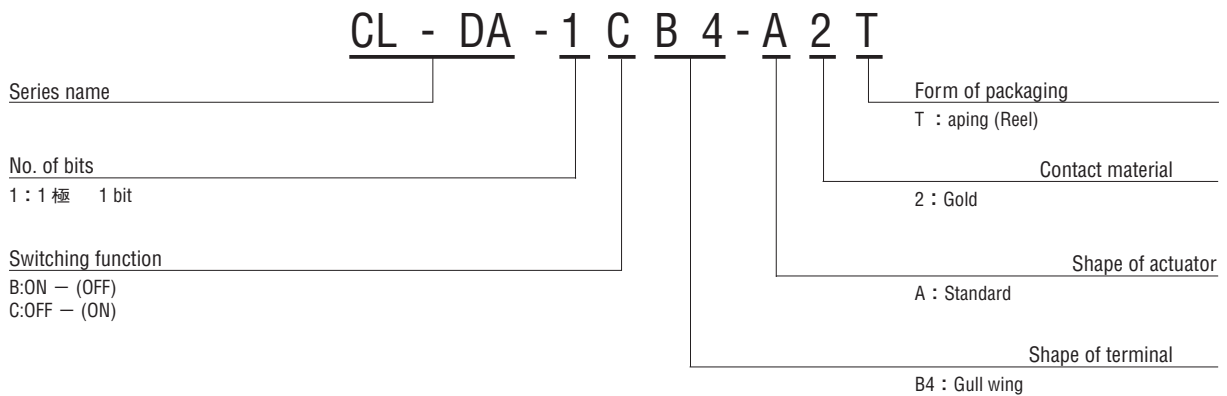
- Detection of Communication devices, Audio-visual equipment, Industrial instrument, Security devices, etc.

## INTERNAL STRUCTURE



Part name	Material	Flammability
① Housing	Polyamide	UL94V-0
② Fixed contact	Copper alloy, Gold-plated	—
③ Terminal pin		
④ Spring	Stainless steel(SUS 304)	—
⑤ Knob	Polyamide	UL94V-0
⑥ Slider contact	Copper alloy, Gold-plated	—
⑦ Cover	Nickel silver, Silver-plated	—

## PART NUMBER DESIGNATION



# CL-DA

## DETECT SWITCHES

### STANDARD SPECIFICATIONS

Operating temp. range	- 40 ~ 85 °C
Storage temp. range	
Sealing	Non-washable
Net weight	0.093 g

### ELECTRICAL CHARACTERISTICS

Contact rating Switching Minimum	DC12 V, 100 mA DC20 mV, 1 μ A
Contact resistance	100 m Ω maximum
Insulation resistance	100 M Ω (DC100 V) minimum
Dielectric strength	AC250 V, 60s

### MECHANICAL CHARACTERISTICS

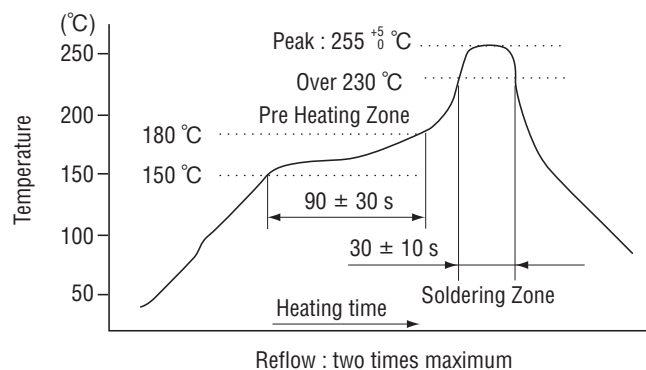
Switching function	OFF – (ON) / ON – (OFF)
Stroke	Pre-travel: 0.35mm Over-travel: 2.0mm total: 2.35mm
Operating force	0.75 N {0.075 kgf}
Stop strength	5 N {0.51 kgf}, 60 s
Solderability	245 ± 3 °C, 2 ~ 3 s
Soldering heat	Reflow : 260 °C (Peak temperature) (Please refer to the profile below)
Shear (Adhesion)	5 N {0.51 kgf} 10 s
Substrate bending	Width 90 mm, bend 3 mm, 5 s, 1 time
Pull-off strength	5 N {0.51 kgf} 10 s

{ } : Reference only

### ENVIRONMENTAL CHARACTERISTICS

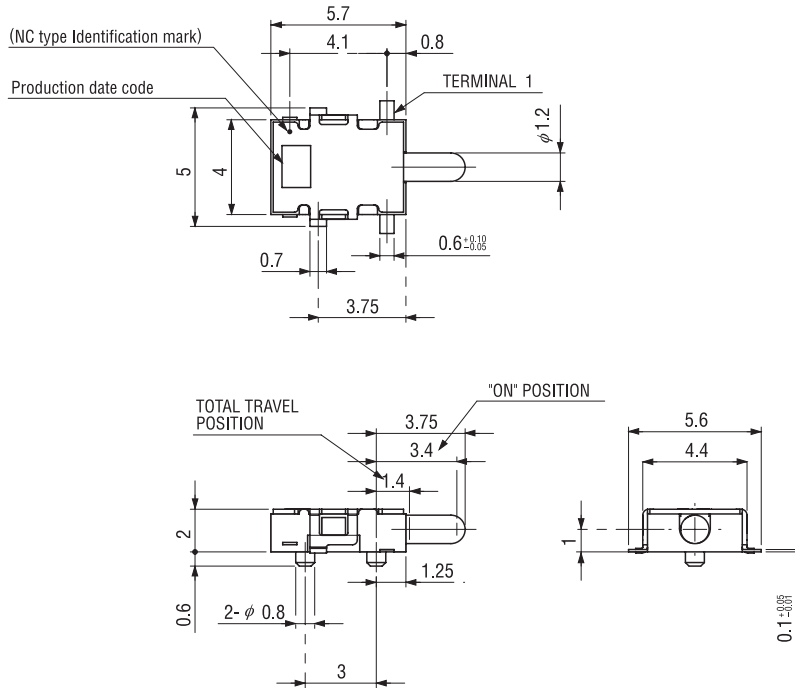
Vibration	(Amplitude) 1.5 mmor (Acceleration) 98 m/s <sup>2</sup> , 10-500 Hz, 3 directions for 10 cycles each
Shock	490 m/s <sup>2</sup> , 11 ms 6 directions for 3 times each
Load life	Continuous load 50,000cycles DC12 V, 100 mA
Humidity	- 10 ~ 65 °C, Relative humidity 0 ~ 96 %, 24 h for 10 cycles
High temp. exposure	85 °C, 96 h
Low temp. exposure	- 40 °C, 96 h
Thermal shock	- 40 (0.5 h) ~ 85 °C (0.5 h), 5 cycles

### <Reflow profile for soldering heat evaluation>



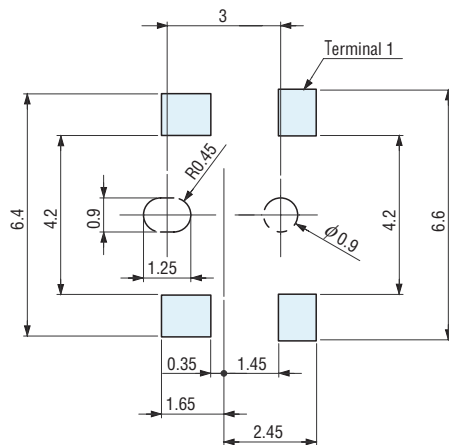
## OUTLINE DIMENSIONS

Unless otherwise specified, tolerance :  $\pm 0.3$  (Unit : mm)



## RECOMMENDED P.C.B. PAD DIMENSIONS

(Unit : mm)



## LIST OF PART NUMBERS / SWITCHING FUNCTION

Part number	CL-DA-1BB4-A2T		CL-DA-1CB4-A2T	
Switching function				
	ON	(OFF)	OFF	(ON)
	Schematic		Schematic	

# CL-DA

## DETECT SWITCHES

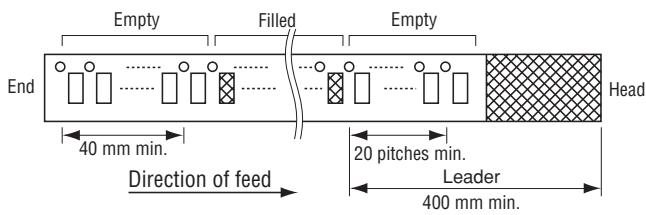
### PACKAGING SPECIFICATIONS

#### <Taping packaging specifications>

- Taping version is packaged in 1000 pcs. per reel.  
Orders will be accepted for units of 1000 pcs.

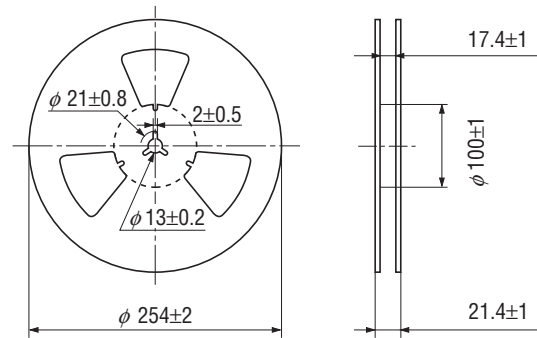
Maximum number of consecutive missing pieces=2  
Leader length and reel dimension are shown in the diagrams below:

#### ● Embossed tape dimensions



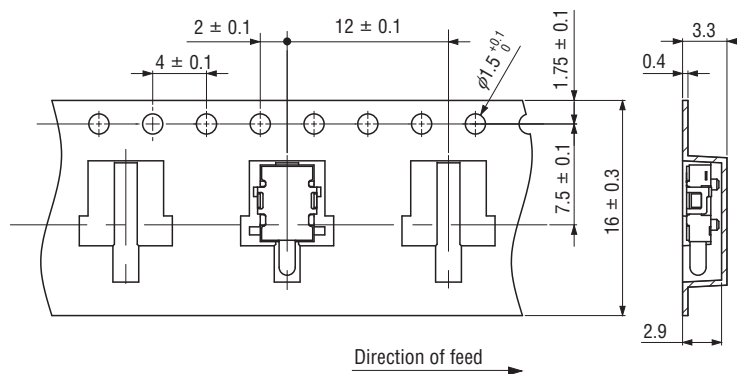
#### ● Reel dimensions (Conforms to JIS C 0806-3) (In accordance with EIAJ ET-7200A)

(Unit: mm)



#### ● 1 bits

(Unit : mm)



## X-ON Electronics

Largest Supplier of Electrical and Electronic Components

*Click to view similar products for [Detector Switches](#) category:*

*Click to view products by [Nidec Copal](#) manufacturer:*

Other Similar products are found below :

[E3S-LS5C4S](#) [SPVQ850300](#) [21075-6](#) [SPVQ860100](#) [K2CU-F20A-F AC220](#) [D3DM0005H](#) [D3DM0001E](#) [D3DM0003A](#) [HARB0012](#) [PP2-7H1-2D2](#) [PP1-FB7-2D2](#) [PP2-7U1-2B2](#) [PP1-ET7-2B2](#) [MR1000AWA](#) [MR1000BWA](#) [ESE-31R11T](#) [ESE-23F101](#) [ESE-13V01D](#) [ESE-13V01C](#) [ESE-13V01A](#) [ESE-13H01B](#) [ESE-11MH1T](#) [ESE-11MH2T](#) [ESE-11MV1](#) [ESE-31L11T](#) [HDS001R](#) [SPVL110102](#) [ESE-11MV1T](#) [ESE-13V01B](#) [ESE-23J101](#) [SPPW811200](#) [ESE-58R61B](#) [SPVQ361300](#) [ESE-58R11B](#) [SPVT210201](#) [SPVL120101](#) [ESE-24CMV9T](#) [DS080](#) [DS0900502RP](#) [T0-SCB22MP1NC1](#) [T0-SCB22MP1NSX](#) [ESE-13H01A](#) [ESE-13H01C](#) [ESE-13H01D](#) [ESE-18R63D](#) [ESE-24CMH6T](#) [SPVN210101](#) [SPPB110300](#) [SPPB120200](#) [SPPB1A0100](#)