

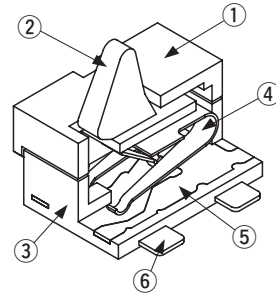
RoHS compliant



FEATURES

- High reliability by Gold contact
- RoHS compliant
- Available to detect from Top or side direction
- Automatic mounting possible
- Ultra-compact
- Low profile design of 3.35mm

INTERNAL STRUCTURE

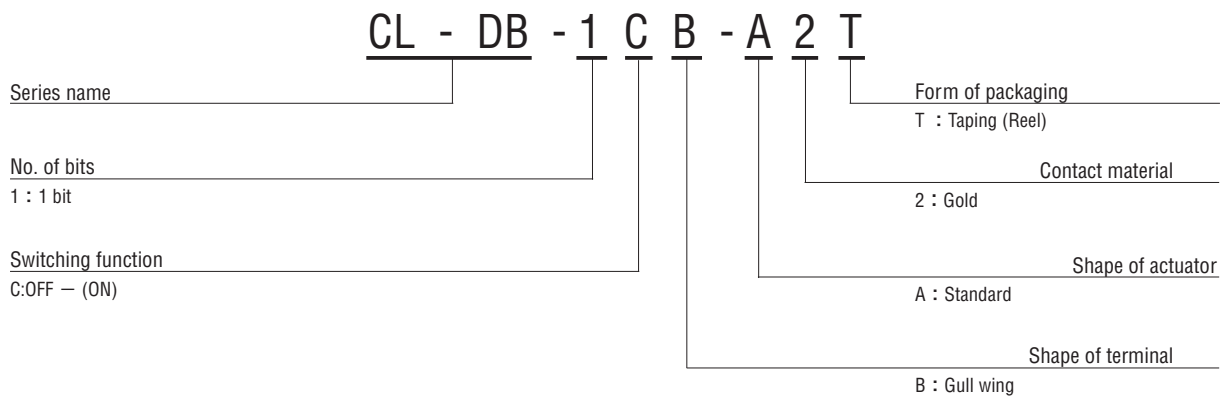


	Part name	Material	Flammability
①	Cover	Polyamide	UL94V-0
②	Lever	Polyamide	UL94V-0
③	Housing	Polyamide	UL94V-0
④	Slider contact	Copper alloy, Gold-plated	—
⑤	Fixed contact	Copper alloy, Gold-plated	—
⑥	Terminal pin	Copper alloy, Gold-plated	—

APPLICATIONS

- Detection of Communication devices, Audio-visual equipment, Industrial instrument, Security devices, etc.

PART NUMBER DESIGNATION



CL-DB

DETECT SWITCHES

STANDARD SPECIFICATIONS

Operating temp. range	- 40 ~ 85 °C
Storage temp. range	
Sealing	Non-washable
Net weight	0.02 g

ELECTRICAL CHARACTERISTICS

Contact rating Switching Minimum	DC5 V, 1 mA DC20 mV, 1 μ A
Contact resistance	300 m Ω maximum
Insulation resistance	100 M Ω (DC100 V) minimum
Dielectric strength	AC 250 V, 60s

MECHANICAL CHARACTERISTICS

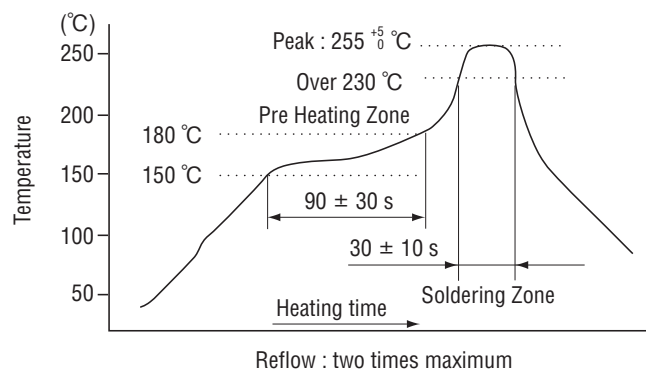
Switching function	OFF — (ON)
Stroke	Pre-travel: 0.30mm Over-travel: 0.75mm total: 1.05mm
Operating force	0.34 N {0.035 kgf}
Stop strength	2 N {0.2 kgf}, 60 s
Solderability	245 ± 3 °C, 2 ~ 3 s
Soldering heat	Reflow : 260 °C (Peak temperature) (Please refer to the profile below)
Shear (Adhesion)	5 N {0.51 kgf} 10 s
Substrate bending	Width 90 mm, bend 3 mm, 5 s, 1 time
Pull-off strength	5 N {0.51 kgf} 10 s

{ } : Reference only

ENVIRONMENTAL CHARACTERISTICS

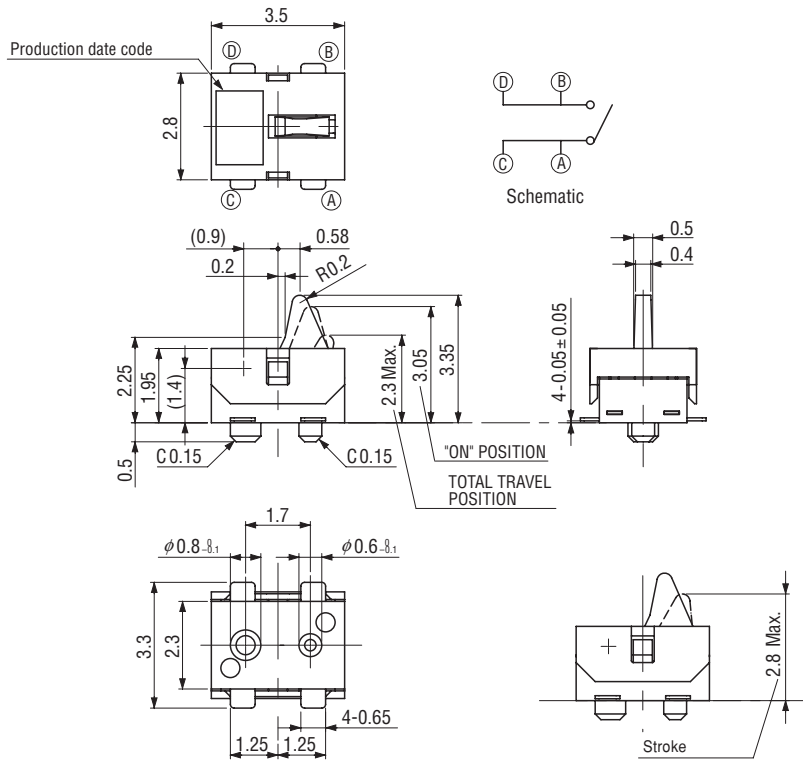
Vibration	(Amplitude) 1.5 mmor (Acceleration) 98 m/s ² , 10-500 Hz, 3 directions for 10 cycles each
Shock	490 m/s ² , 11 ms 6 directions for 3 times each
Load life	Continuous load 100,000 cycles DC 5V, 1mA
Humidity	- 10 ~ 65 °C, Relative humidity 0 ~ 96 %, 24 h for 10 cycles
High temp. exposure	85 °C, 96 h
Low temp. exposure	- 40 °C, 96 h
Thermal shock	- 40 (0.5 h) ~ 85 °C (0.5 h), 5 cycles

<Reflow profile for soldering heat evaluation>



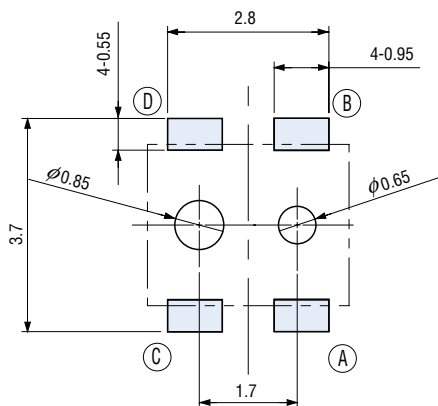
OUTLINE DIMENSIONS

Unless otherwise specified, tolerance : ± 0.2 (Unit : mm)



RECOMMENDED P.C.B. PAD DIMENSIONS

(Unit : mm)



LIST OF PART NUMBERS / SWITCHING FUNCTION

Part number	CL-DB-1CB-A2T	
Switching function	<p>OFF</p>	<p>ON</p>

CL-DB DETECT SWITCHES

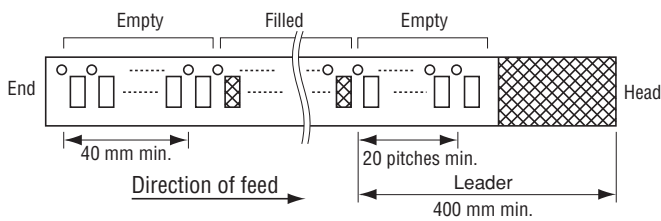
PACKAGING SPECIFICATIONS

<Taping packaging specifications>

- Taping version is packaged in 1000 pcs. per reel.
Orders will be accepted for units of 1000 pcs.

Maximum number of consecutive missing pieces=2
Leader length and reel dimension are shown in the diagrams below:

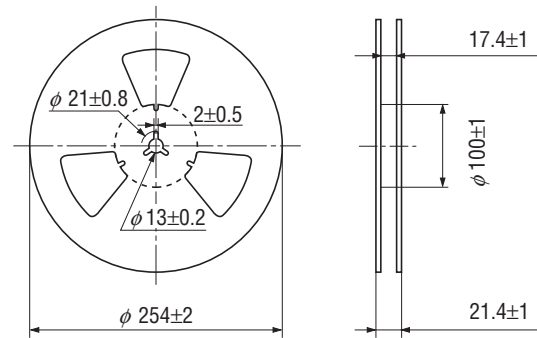
● Embossed tape dimensions



● Reel dimensions

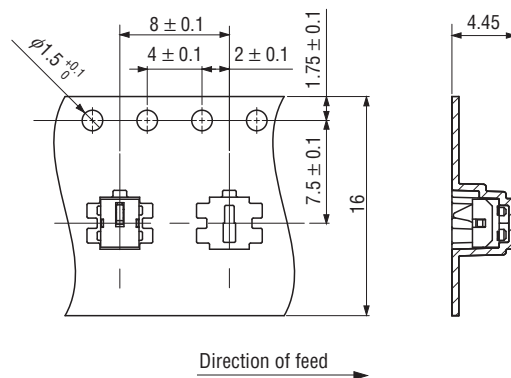
(Unit: mm)

(Conforms to JIS C 0806-3)
(In accordance with EIAJ ET-7200A)



● 1 bits

(Unit : mm)



X-ON Electronics

Largest Supplier of Electrical and Electronic Components

Click to view similar products for [Basic / Snap Action Switches](#) category:

Click to view products by [Nidec Copal](#) manufacturer:

Other Similar products are found below :

[5SM901-S12](#) [5SM9-S12N195](#) [602EN532](#) [602EN535-RB](#) [602HE5-RB1](#) [604HE223-6B](#) [624HE17-RB](#) [6HM82](#) [6SE1](#) [6SX1-H58](#) [71051](#) [714-0293](#) [MBH2731](#) [79211923](#) [79218589](#) [MIL30126AB6BBMD4A12XAU](#) [ML-1155](#) [ML-1376](#) [831010C3.0](#) [831090C2.EL](#) [83131904](#) [84212012](#) [8AS239](#) [8HM73-3](#) [8SX26-H33](#) [914CE1-6G](#) [11SM1077-H4](#) [11SM1077-H58](#) [11SM1-TN107](#) [11SM405](#) [11SM703-T](#) [11SM8423-H2](#) [11SX37-T](#) [11SX48-H58](#) [11SM2442-T](#) [11SM76-T](#) [11SM77-H58](#) [11SM77-T](#) [11SM863-T](#) [11SM866](#) [121EN188-R](#) [1245.0120](#) [125EN56-RB](#) [D433V3RD](#) [1267.0101](#) [1267.7101](#) [D4BFC1](#) [12SM4-T2](#) [12SX2-T2](#) [1298.0101](#)