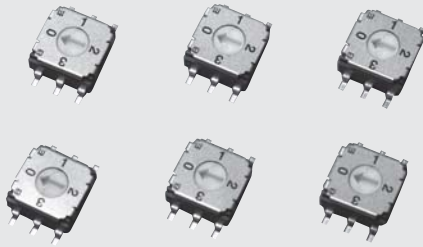


ROTARY SELECTOR SWITCHES (SMD)

CS-7

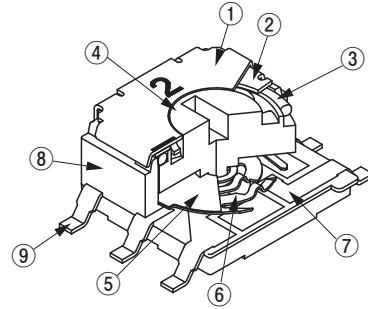
RoHS compliant



FEATURES

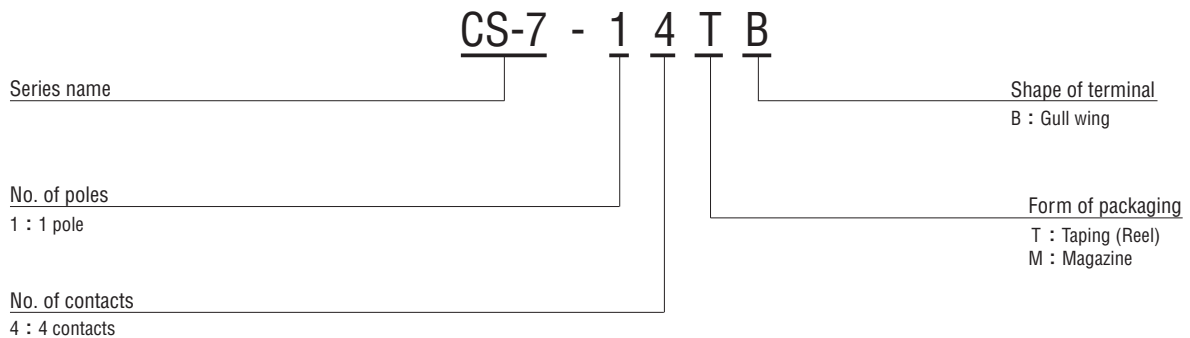
- RoHS compliant
- Easy position setting with wide switching angle
- High digit visibility
- Washable

INTERNAL STRUCTURE



| Part name | Material | Flammability |
|------------------|---------------------------|--------------|
| ① Marking cover | Stainless steel (SUS 304) | — |
| ② Cover | Stainless steel (SUS 301) | |
| ③ “0” ring | Silicone rubber | UL94HB |
| ④ Rotor | Polyphenylenesulphide | UL94V-0 |
| ⑤ Spacer | Stainless steel (SUS 304) | — |
| ⑥ Slider contact | Copper alloy, Gold-plated | |
| ⑦ Fixed contact | | |
| ⑧ Housing | Polyphenylenesulphide | UL94V-0 |
| ⑨ Terminal pin | Copper alloy, Gold-plated | — |

PART NUMBER DESIGNATION



※ Please refer to the LIST OF PART NUMBERS when placing orders.

CS-7

ROTARY SELECTOR SWITCHES (SMD)

LIST OF PART NUMBERS

| Circuit type | Setting position | Form of packaging | B Gull wing | Pieces in package |
|-------------------|------------------|-------------------|----------------|-------------------|
| 1 pole 4 contacts | Top setting | Taping | CS-7-14TB | 500 pcs./reel |
| | | Magazine | CS-7-14MB | 50 pcs./stick |

※ Verify the above part numbers when placing orders. Taping and magazine version can be supplied only in reel or stick unit.

STANDARD SPECIFICATIONS

| | |
|-----------------------------|--|
| Circuit type | 1 pole 4 contacts |
| Operating temperature range | -40 ~ 85 °C |
| Storage temperature range | |
| Sealing | Washable by "O"ring ※ Please refer to page 150, 151 |
| Net weight | Approx. 0.38 g |

ELECTRICAL CHARACTERISTICS

| | |
|---|---|
| Contact rating Non-switching Switching Minimum | DC50 V 100 mA DC5 V 100 mA DC20 mV 1 μA |
| Contact resistance | 100 mΩ maximum |
| Insulation resistance | 1000 MΩ (DC100 V) minimum |
| Dielectric strength | AC250 V, 60 s |

MECHANICAL CHARACTERISTICS

| | |
|-------------------|--|
| No. of positions | 4 |
| Adjustment torque | 3~20 mN·m {31~204gf·cm} |
| Stepping angle | 90° |
| Solderability | 245 ± 3 °C, 2 ~ 3 s |
| Soldering heat | Reflow : Peak temperature 250°C to 255 °C (Please refer to the profile below) |
| | Manual soldering : 350 ± 10 °C, 3 ~ 4 s |
| Shear (adhesion) | 5 N {0.51 kgf} 10 s |
| Substrate bending | Width 90 mm, bend 3 mm, 5 s, 1 time |
| Pull-off strength | 5 N {0.51 kgf} 10s |

{ } : Reference only

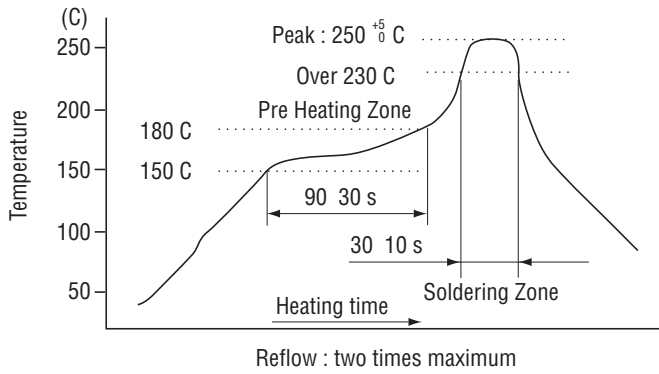
ENVIRONMENTAL CHARACTERISTICS

| | |
|---------------------------|--|
| Vibration | Amplitude 1.5 mm or Acceleration 98 m/s ² , 10-500-10 Hz, 3 directions for 2 h each |
| Shock | 490 m/s ² , 11 ms 6 directions for 3 times each |
| Load life | 10000 steps minimum, DC5 V, 100 mA |
| Humidity (Steady state) | 40 °C, Relative humidity 90 ~ 95 %, 240 h |
| High temperature exposure | 85 °C, 96 h |
| Low temperature exposure | -40 °C, 96 h |
| Thermal shock | -40 (0.5 h) ~ 85 °C (0.5 h), 5 cycles |

CS-7

ROTARY SELECTOR SWITCHES (SMD)

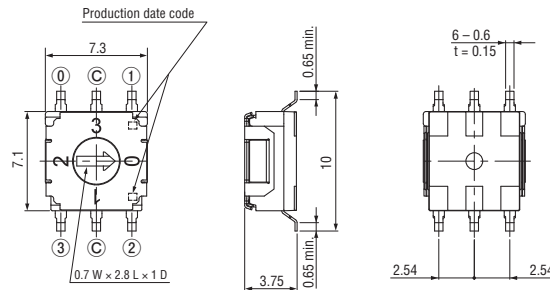
<Reflow profile for soldering heat evaluation>



OUTLINE DIMENSIONS

CS-7-14B

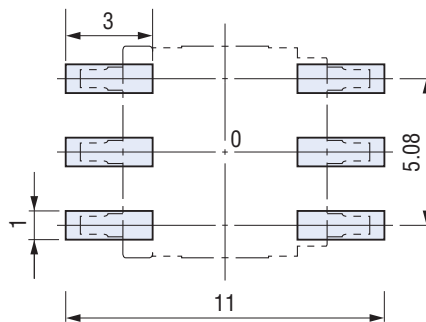
Unless otherwise specified, tolerance: ± 0.3 (Unit: mm)



RECOMMENDED P.C.B. PAD OUTLINE DIMENSIONS

CS-7-14B

(Unit: mm)



CS-7

ROTARY SELECTOR SWITCHES (SMD)

PACKAGING SPECIFICATIONS

<Taping packaging specifications>

- Taping version is packaged in 500 pcs. per reel.
Orders will be accepted for units of 500 pcs., i.e., 500, 1000, 1500, pcs., etc.

- Taping version is boxed with one reel (500 pcs.).

Maximum number of consecutive missing pieces = 2
Leader length and reel dimension are shown in the diagrams below:

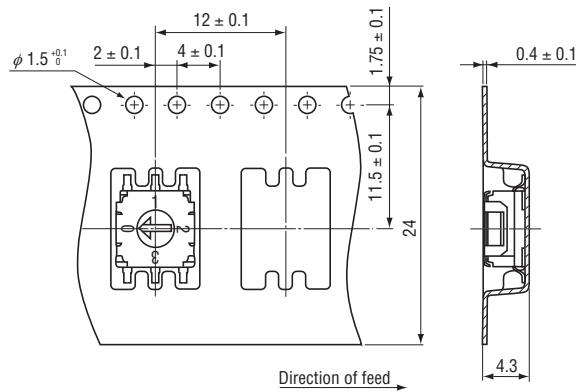
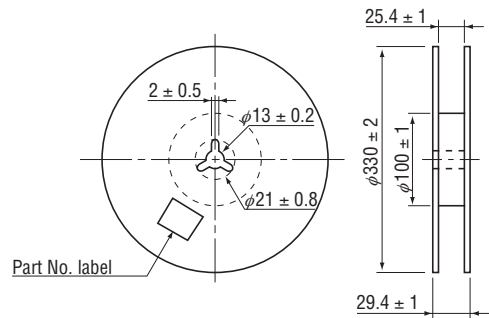
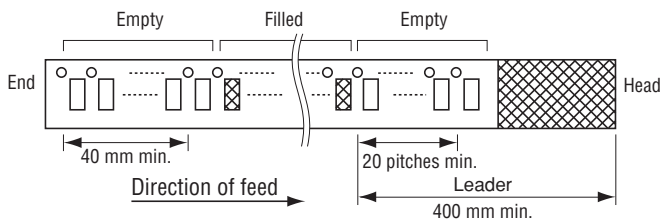
● Embossed tape dimensions

● Reel dimensions

(Unit: mm)

(Conforms to JIS C 0806-3)

(In accordance with EIAJ ET-7200A)



CS-7

ROTARY SELECTOR SWITCHES (SMD)

■ PACKAGING SPECIFICATIONS

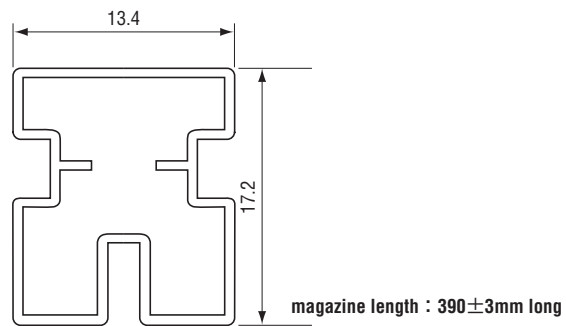
<Magazine packaging specifications>

- Please order the multiple numbers of the specific packing quantities.

Pieces in package : 50 pcs./stick

● Magazine dimensions

(Unit : mm)



X-ON Electronics

Largest Supplier of Electrical and Electronic Components

Click to view similar products for [Rotary Switches](#) category:

Click to view products by [Nidec Copal](#) manufacturer:

Other Similar products are found below :

[57HS22-02-2-06N](#) [57M22-02B16N](#) [57M22-09A16N](#) [59M18-02A20N](#) [61-4970.10](#) [M3786/4-0881](#) [M3786/4-3267](#) [M3786/4-6029](#) [71ESF30-05204N](#) [MC06L1NCGF](#) [84986-26](#) [9003K2C003GA](#) [PLR3251](#) [PLR3262](#) [PS3](#) [A0142M2SP](#) [A019605](#) [A029303](#) [R2AA4455NNNN](#) [R2BB4455NNNN](#) [RMS1224](#) [DR75-AMSF-10R-B](#) [14-520.0360](#) [BCK1006](#) [HW1MS-0202-101](#) [A029101](#) [ACSNO-129-YB-C1014](#) [ACSNO-134-RR-YB-C1005](#) [ACSNO-353-SB-C3016](#) [1825537-4](#) [T505](#) [T505E](#) [24005-03N](#) [H10207RR01Q](#) [M3786/4-0002](#) [M3786/4-0630](#) [M3786/4-1233L](#) [M3786/4-3044](#) [M3786/4-3129](#) [M3786/4-5256](#) [MC6CX1A502X009](#) [42P36-03B10S](#) [44MBS60-04-2-03N](#) [44MG90-02-1-02N](#) [50KMT90-01-2-02N](#) [51A22-01-1-16S](#) [51CDP30-01PAJN](#) [51CY23771](#) [51KSP30-01D04N](#) [51P30-01B12N](#)