

# COMPACT SLIDE SWITCHES



RoHS compliant



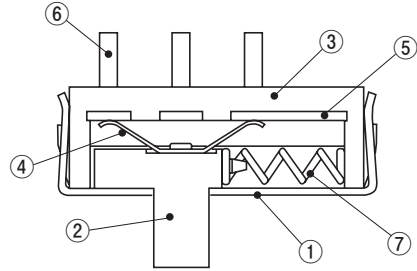
## FEATURES

- Low-profile of 2 mm
- Self-return type available
- RoHS compliant

## APPLICATIONS

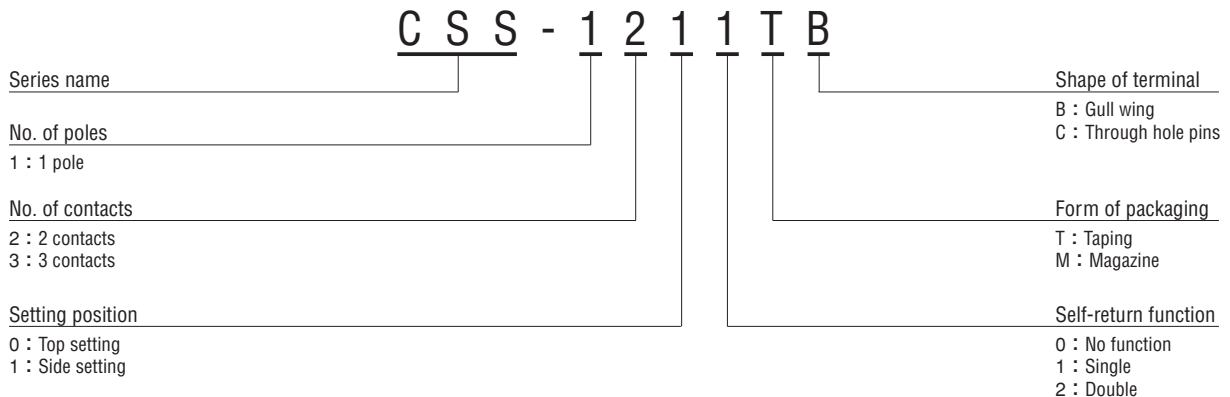
- Mobile stereo · LCD TV · Camcorder

### INTERNAL STRUCTURE



| Part name        | Material                  | Flammability |
|------------------|---------------------------|--------------|
| ① Cover          | Stainless steel (SUS 304) | —            |
| ② Slider         | Liquid Crystal polymer    | UL94V-0      |
| ③ Housing        |                           |              |
| ④ Slider contact | Copper alloy, Gold-plated | —            |
| ⑤ Fixed contact  |                           |              |
| ⑥ Terminal pin   |                           |              |
| ⑦ Return spring  | SWP                       |              |

## PART NUMBER DESIGNATION



※ Please refer to the LIST OF PART NUMBERS when placing orders.

## LIST OF PART NUMBERS

| No. of contacts | Setting position | Self-return function | Shape of terminal     | Form of packaging | Part number | Pieces in package |
|-----------------|------------------|----------------------|-----------------------|-------------------|-------------|-------------------|
| 2               | Side setting     | No function          | B (Gull wing)         | Taping            | CSS-1210TB  | 1,900 pcs./reel   |
|                 |                  |                      | C (Through hole pins) | Magazine          | CSS-1210MC  | 53 pcs./stick     |
|                 |                  | Single               | B (Gull wing)         | Taping            | CSS-1211TB  | 1,900 pcs./reel   |
|                 |                  |                      | C (Through hole pins) | Magazine          | CSS-1211MC  | 53 pcs./stick     |
| 3               | Side setting     | No function          | B (Gull wing)         | Taping            | CSS-1310TB  | 1,900 pcs./reel   |
|                 |                  |                      | C (Through hole pins) | Magazine          | CSS-1310MC  | 38 pcs./stick     |
|                 |                  | Single               | B (Gull wing)         | Taping            | CSS-1311TB  | 1,900 pcs./reel   |
|                 |                  |                      | C (Through hole pins) | Magazine          | CSS-1311MC  | 38 pcs./stick     |
|                 |                  | Double               | B (Gull wing)         | Taping            | CSS-1312TB  | 1,900 pcs./reel   |
|                 |                  |                      | C (Through hole pins) | Magazine          | CSS-1312MC  | 38 pcs./stick     |
|                 | Top setting      | No function          | C (Through hole pins) | Magazine          | CSS-1300MC  | 38 pcs./stick     |
|                 |                  | Double               | C (Through hole pins) | Magazine          | CSS-1302MC  | 38 pcs./stick     |

## STANDARD SPECIFICATIONS

|                       |  |
|-----------------------|--|
| Operating temp. range | - 20 ~ 70 °C                                     |
| Storage temp. range   | - 40 ~ 85 °C                                     |
| Sealing               | Non- Washable                                    |
| Net weight            | Approx. 0.11 g (CSS-12), Approx. 0.15 g (CSS-13) |

## MECHANICAL CHARACTERISTICS

|                   |   |
|-------------------|---|
| No. of positions  | 2, 3  |
| Stroke            | 2 mm  |
| Operating force   | 1 ~ 3.5 N {0.1 ~ 0.36 kgf}  |
| Stop strength     | 10 N {1.02 kgf} 15 s (操作方向)   |
| Solderability     | 245 ± 3 °C 2 ~ 3 s<br>Sn-3Ag-0.5Cu  |
| Soldering heat    | Reflow : 250 ~ 255 °C (Peak temperature)<br>(Please refer to the profile below) |
|                   | Manual soldering : 350 ± 10 °C, 3 ~ 4 s   |
| Shear (Adhesion)  | 5 N {0.5 kgf} 10 s  |
| Substrate bending | Width 90 mm, bend 3 mm, 5 s, 1 time   |
| Pull-off strength | 5 N {0.5 kgf} 10 s  |

{ } : Reference only

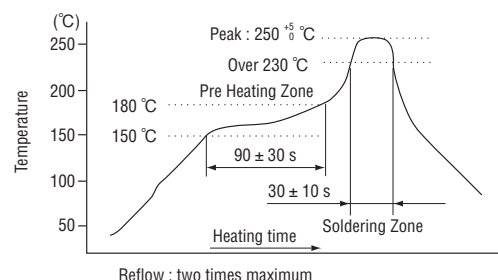
## ELECTRICAL CHARACTERISTICS

|                       |  |
|-----------------------|--|
| Contact rating        | Non-switching : DC50 V 100 mA<br>Switching : DC12 V 100 mA<br>Minimum : DC20 mV 1 μA |
| Contact timing        | Non-shorting   |
| Contact resistance    | 70 m Ω maximum   |
| Insulation resistance | 100 M Ω minimum (DC 500 V)   |
| Dielectric strength   | AC500 V 60 s   |

## ENVIRONMENTAL CHARACTERISTICS

|                     |   |
|---------------------|---|
| Vibration           | Amplitude 1.5 mm or Acceleration 98 m/s <sup>2</sup> ,<br>10-500-10 Hz, 3 directions for 10 cycles each |
| Shock               | 490 m/s <sup>2</sup> , 11 ms, 6 directions for 3 times each   |
| Load life           | Continuous load 10000 cycles,<br>DC12 ± 0.5 V, 100 ± 10 mA  |
| Humidity            | 40 °C, Relative humidity 90 ~ 95 %, 240 h, No load  |
| High temp. exposure | 85 °C, 96 h, No load  |
| Low temp. exposure  | - 40 °C, 96 h, No load  |
| Thermal shock       | - 40 (0.5 h) ~ 85 °C (0.5 h), 5 cycles  |

### <Reflow profile for soldering heat evaluation>



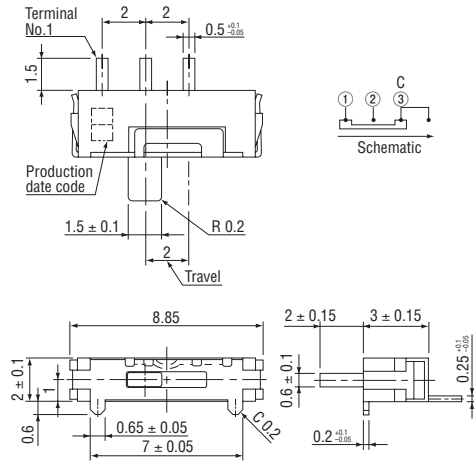
# CSS

## COMPACT SLIDE SWITCHES

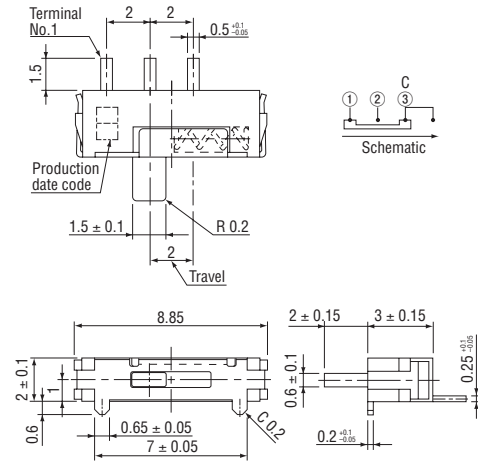
### OUTLINE DIMENSIONS

Unless otherwise specified, tolerance :  $\pm 0.2$  (Unit : mm)

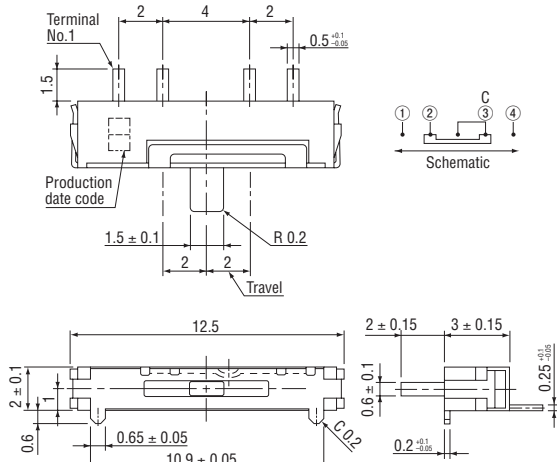
#### ● CSS-1210B



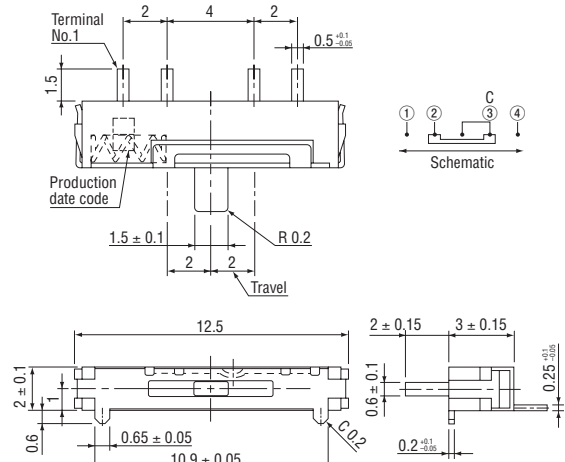
#### ● CSS-1211B



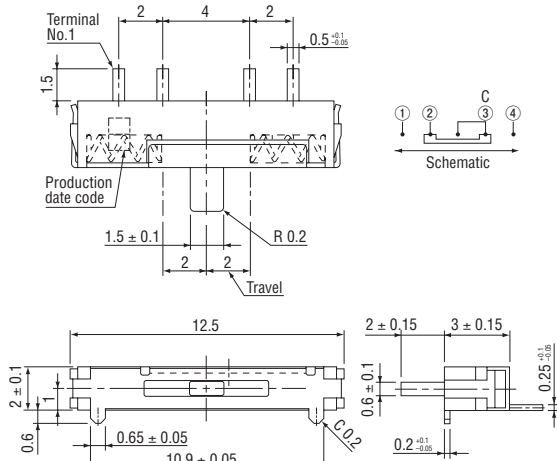
#### ● CSS-1310B



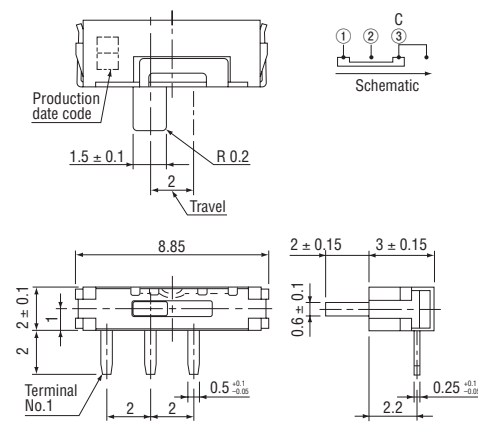
#### ● CSS-1311B



#### ● CSS-1312B



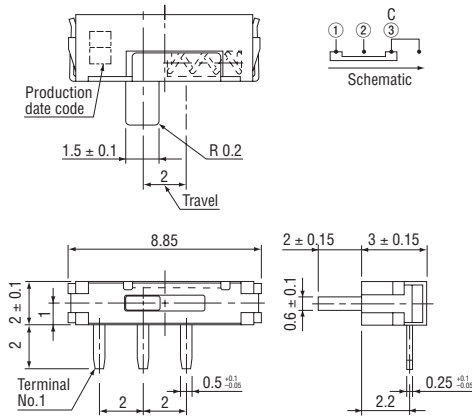
#### ● CSS-1210C



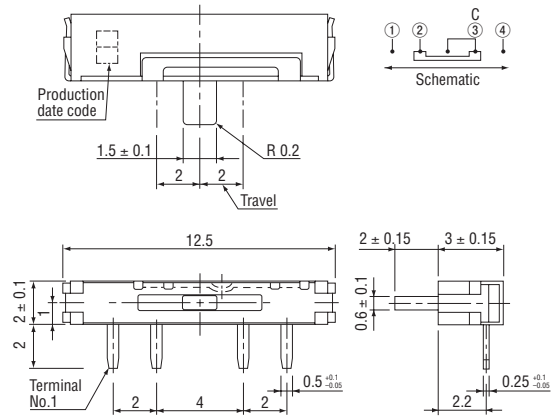
**OUTLINE DIMENSIONS**

Unless otherwise specified, tolerance :  $\pm 0.2$  (Unit : mm)

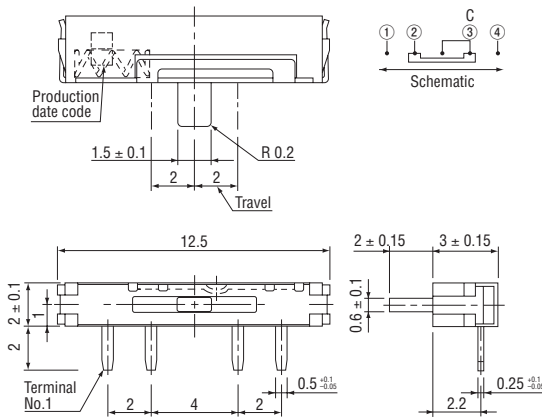
● **CSS-1211C**



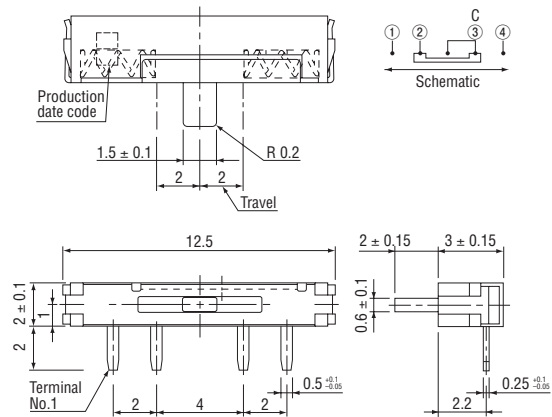
● **CSS-1310C**



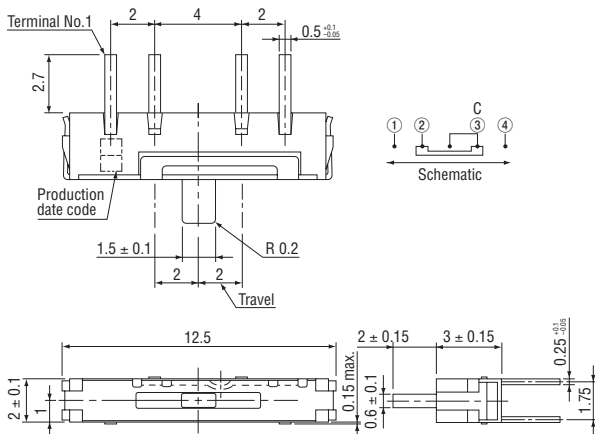
● **CSS-1311C**



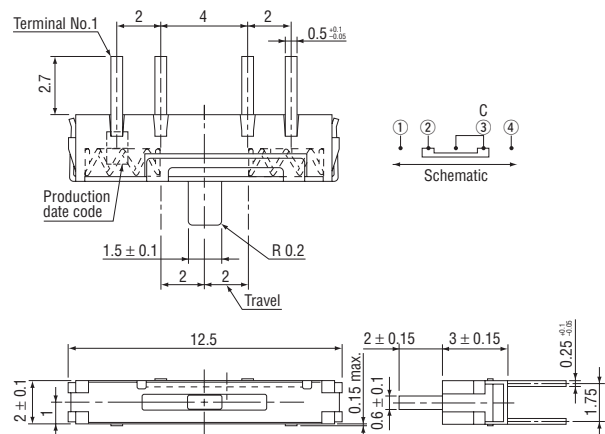
● **CSS-1312C**



● **CSS-1300C**



● **CSS-1302C**

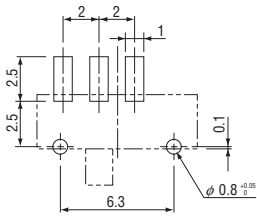


# CSS

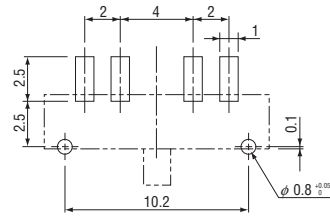
## COMPACT SLIDE SWITCHES

### RECOMMENDED P.C.B. PAD OUTLINE DIMENSIONS

#### ● CSS-121 □ B

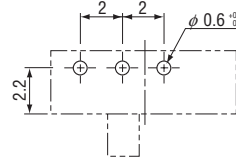


#### ● CSS-131 □ B (Unit : mm)

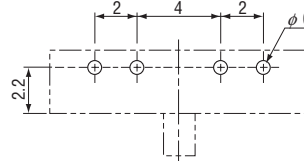


### SIZE OF P.C.B. PROCESSING

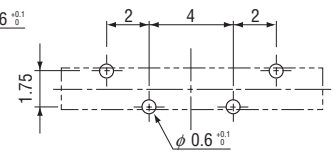
#### ● CSS-121 □ C



#### ● CSS-131 □ C



#### ● CSS-130 □ C



### PACKAGING SPECIFICATIONS

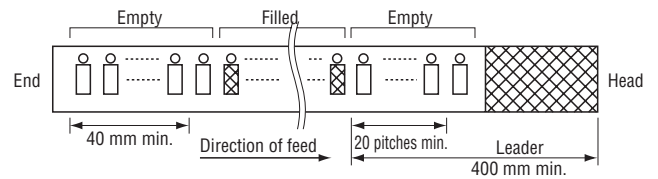
Taping version is packaged in 1900 pcs. per reel.

Taping version is boxed with 1 reel (1900 pcs.).

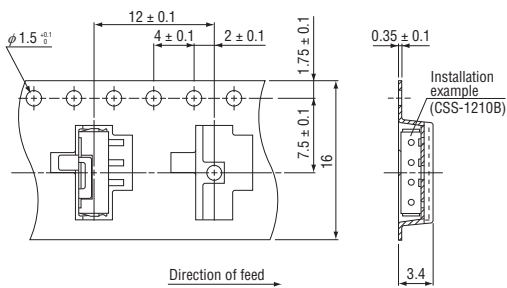
Maximum number of consecutive missing pieces = 2.

Leader length and reel dimension are shown in the diagrams below.

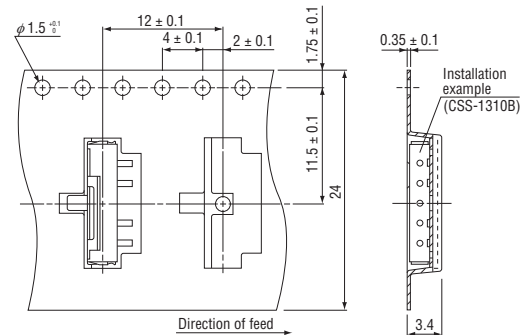
#### Embossed tape dimensions



#### ● CSS-121 □ TB

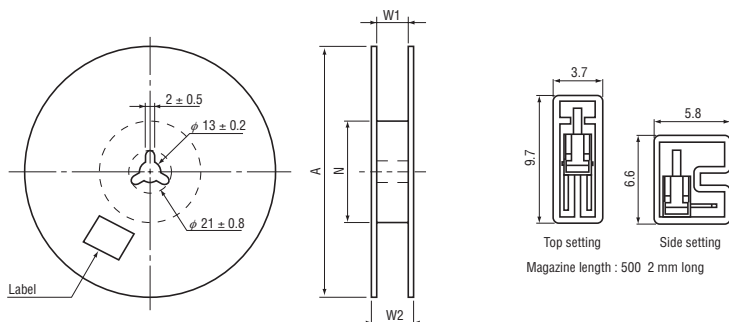


#### ● CSS-131 □ TB



#### ● Reel dimensions

(Unit: mm)



| Part number | A         | W <sub>1</sub> | W <sub>2</sub> | N        | Packing quantity of magazine |                  |
|-------------|-----------|----------------|----------------|----------|------------------------------|------------------|
|             |           |                |                |          | Part number                  | Quantity / Stick |
| 121 □ TB    | φ 330 ± 2 | 17.4 ± 1       | 21.4 ± 1       | φ 80 ± 1 | 12 □ □                       | 53               |
| 131 □ TB    | φ 330 ± 2 | 25.4 ± 1       | 29.4 ± 1       | φ 80 ± 1 | 13 □ □                       | 38               |

## X-ON Electronics

Largest Supplier of Electrical and Electronic Components

*Click to view similar products for [Slide Switches](#) category:*

*Click to view products by [Nidec Copal](#) manufacturer:*

Other Similar products are found below :

[6-1437581-1](#) [M43R](#) [MHS123K15D](#) [MHS133K](#) [MHSS1104A](#) [MMD](#) [GH49S010001](#) [MSS12A](#) [EPS1PC1](#) [1825074-1](#) [1825160-3](#) [1825167-2](#)  
[1825289-7](#) [K232CB](#) [25139NLDB](#) [25449NAH](#) [SLB1240R45](#) [1825078-1](#) [1825080-4](#) [1825269-1](#) [1825270-2](#) [STS141RA04](#) [T2215BEN506](#)  
[GH46P000001](#) [GH46W000001](#) [GH49P010001](#) [25339NA](#) [M42A](#) [TG36P000000](#) [TG36P000050](#) [AYZ0202AG](#) [47227LFE](#) [49331L](#) [50208L](#)  
[L203091MS02Q](#) [4-1437581-7](#) [X2225CR-437W](#) [49329L](#) [1101M1S3ZB8E2](#) [1-1437581-1](#) [MSS2225G04](#) [TG39W000000](#) [1825075-1](#)  
[MSS42G](#) [TG36WS80065](#) [T105S1CWZBE](#) [SLB124145](#) [SLB1280R5](#) [SLB1340R45](#) [25136NLDB](#)