

# BRUSHLESS DC FAN

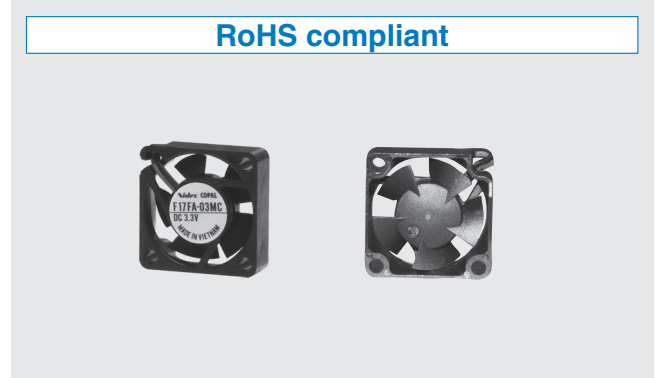
# F17FA

## FEATURES

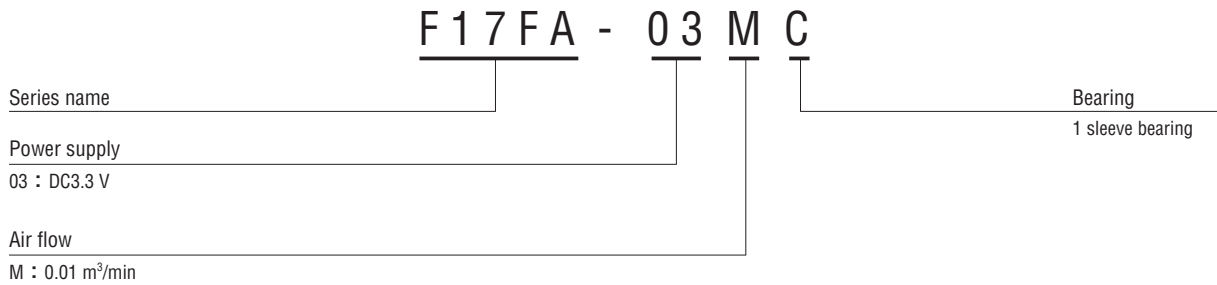
- 17 x 17 x 5 mm miniature fan.
- Proprietary impeller design provides high air flow and quiet operation. (0.01m<sup>3</sup>/min, 5dB(A) at 7000rpm)

## APPLICATIONS

- Video equipments
- Information systems
- Telecommunication equipments



## PART NUMBER DESIGNATION



## LIST OF PART NUMBERS

Power supply	Part number
DC3.3 V	F17FA-03MC

※ Verify the above part numbers when placing orders.

# F17FA

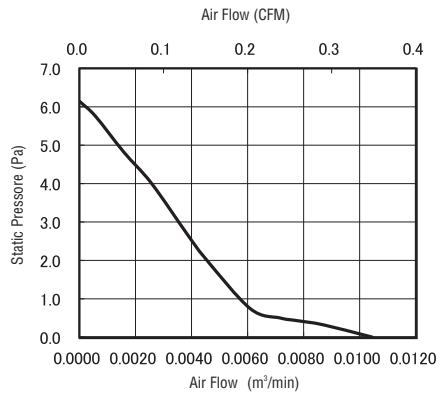
## MINIATURE BRUSHLESS DC FAN MOTORS

### STANDARD SPECIFICATIONS

Item	F17FA-03MC
Rated voltage	DC3.3 V
Voltage range	3.1 ~ 3.5 V
Rated current	0.07 A
Rotating speed	7000 min <sup>-1</sup>
Air flow	0.01 m <sup>3</sup> /min
Static pressure	6 Pa
Noise	5 dB (A)
Use environment	0 ~ +60 °C (35 ~ 85 %RH)
Storage environment	-10 ~ +70 °C (35 ~ 85 %RH)
Net weight	Approx. 1.5 g

※ The specifications above are typical values measured on the conditions of no-loading running with rated voltage in the circumstances of 25 °C ± 2 °C, 35~ 85 %RH. Please contact us if you would liketo check the specifications in different circumstances.

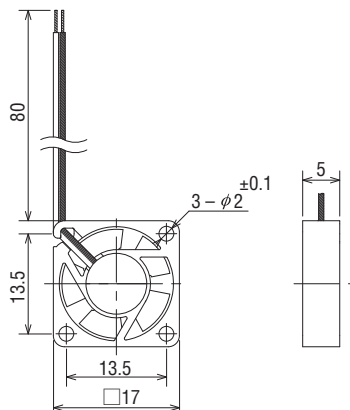
### AIR FLOW PERFORMANCE CURVES



※ Data in our measuring instrument

### OUTLINE DIMENSIONS

(Unit: mm)



## X-ON Electronics

Largest Supplier of Electrical and Electronic Components

*Click to view similar products for [DC Fans](#) category:*

*Click to view products by [Nidec Copal](#) manufacturer:*

Other Similar products are found below :

[614R](#) [AUB0612L](#) [AFB0948HH-S687](#) [G2E085-AA05-10](#) [4318/12T](#) [AUB0912H-F00](#) [3412N/2ME](#) [W2G110-AM39-01](#) [8412GLV](#) [8412NGL-12](#) [6448-384](#) [4114N/17-251](#) [4318/2R](#) [4412F/2D](#) [424JMU](#) [4414/2HH](#) [4112 N/12GL-175](#) [9GA0912F402](#) [9GA0812B20011](#)  
[AFB0824SHBAV1](#) [DV5214/2NP-230](#) [9GA0912H4021](#) [THC1548MGDJJ](#) [9GA0812B2001](#) [GFB1224SHG](#) [8500NU](#) [9WG1212E101-E](#)  
[3241.124](#) [DC0401012V2B-3T0](#) [ASFP14391](#) [ASFP64371](#) [ASFP64391](#) [ASFP84391](#) [ASFP92391](#) [9A0612G402](#) [AD5012HB-C71](#)  
[AD5012MB-C71](#) [ASFP84372](#) [ASFP64372](#) [31100-000440-RS](#) [ASFP14372](#) [ASFP16371](#) [ASFP16372](#) [ASFP40770](#) [ASFP42770](#) [ASFP44770](#)  
[ASFP64392](#) [ASFP82392](#) [ASFP84392](#) [ASFP92371](#)