

BRUSHLESS DC FANS

F410T

FEATURES

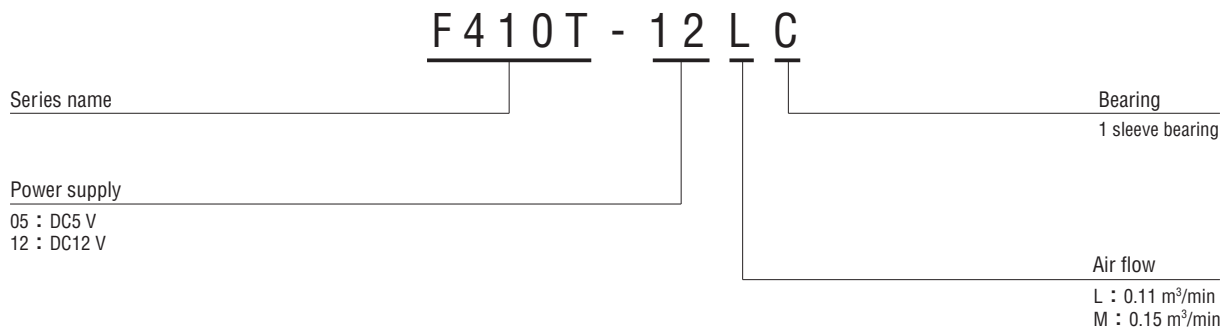
- Low noise 12 dB (A)
- Light weight (approx. 14 g)

STRUCTURE

- Frame and impeller
ABS/PBT alloy
- Bearing
1 sleeve bearing



PART NUMBER DESIGNATION



LIST OF PART NUMBERS

Bearing	Power supply	Part number
C	DC5 V	F410T-05LC
	DC12 V	F410T-12LC
	DC5 V	F410T-05MC
	DC12 V	F410T-12MC

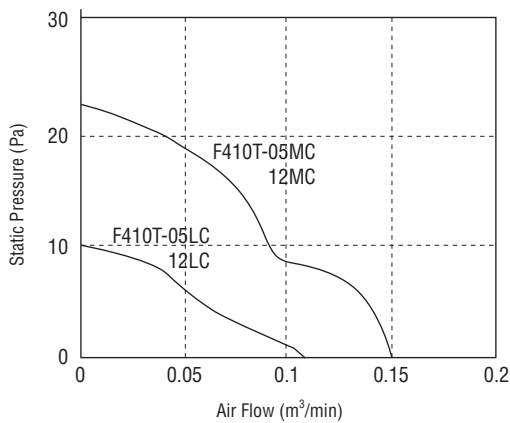
※ Verify the above part numbers when placing orders.

F410T BRUSHLESS DC FANS

STANDARD SPECIFICATIONS

Item	F410T-05LC	F410T-12LC	F410T-05MC	F410T-12MC
Rated voltage	5 V	12 V	5 V	12 V
Voltage range	4.5 ~ 5.7	10.2 ~ 13.2	4.5 ~ 5.7	10.2 ~ 13.8
Rated current	0.08 A	0.04 A	0.12 A	0.06 A
Rotating speed	4600 min ⁻¹		5800 min ⁻¹	
Air flow	0.11 m ³ /min		0.15 m ³ /min	
Static pressure	10 Pa		23 Pa	
Noise	12 dB (A)		18 dB (A)	
Use environment	-10 ~ +60 °C (35 ~ 85 %RH)			
Storage environment	-20 ~ +70 °C (35 ~ 85 %RH)			
Net weight	Approx. 14 g			

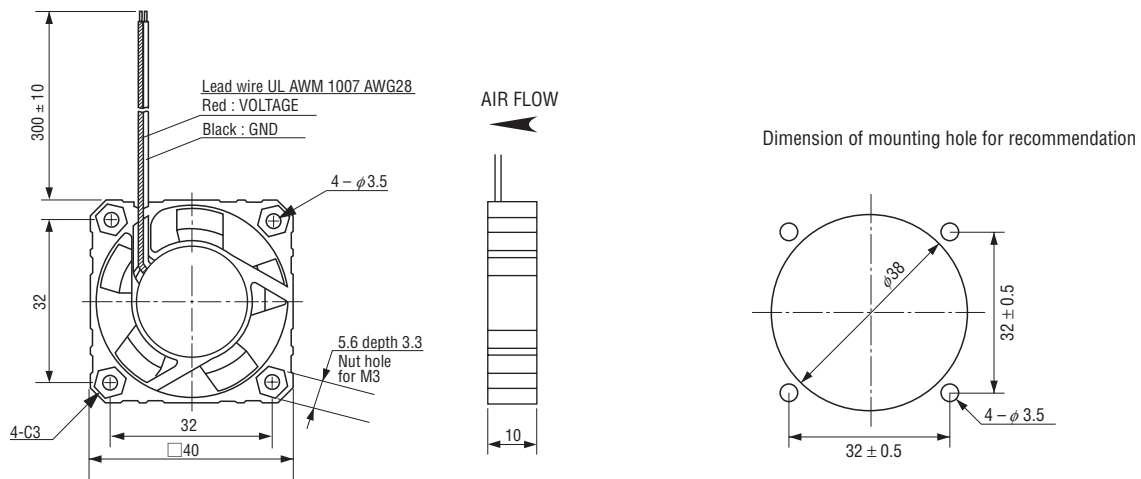
AIR FLOW PERFORMANCE CURVES



※ The specifications above are typical values measured on the conditions of no-loading running with rated voltage in the circumstances of 25 °C ± 2 °C, 35~ 85 %RH. Please contact us if you would like to check the specifications in different circumstances.

OUTLINE DIMENSIONS

(Unit: mm)



X-ON Electronics

Largest Supplier of Electrical and Electronic Components

Click to view similar products for [DC Fans](#) category:

Click to view products by [Nidec Copal](#) manufacturer:

Other Similar products are found below :

[614R](#) [AUB0612L](#) [AFB0948HH-S687](#) [G2E085-AA05-10](#) [4318/12T](#) [AUB0912H-F00](#) [3412N/2ME](#) [W2G110-AM39-01](#) [8412GLV](#) [8412NGL-12](#) [6448-384](#) [4114N/17-251](#) [4318/2R](#) [4412F/2D](#) [424JMU](#) [4414/2HH](#) [4112 N/12GL-175](#) [9GA0912F402](#) [9GA0812B20011](#)
[AFB0824SHBAV1](#) [DV5214/2NP-230](#) [9GA0912H4021](#) [THC1548MGDJJ](#) [9GA0812B2001](#) [GFB1224SHG](#) [8500NU](#) [9WG1212E101-E](#)
[3241.124](#) [DC0401012V2B-3T0](#) [ASFP14391](#) [ASFP64371](#) [ASFP64391](#) [ASFP84391](#) [ASFP92391](#) [9A0612G402](#) [AD5012HB-C71](#)
[AD5012MB-C71](#) [ASFP84372](#) [ASFP64372](#) [31100-000440-RS](#) [ASFP14372](#) [ASFP16371](#) [ASFP16372](#) [ASFP40770](#) [ASFP42770](#) [ASFP44770](#)
[ASFP64392](#) [ASFP82392](#) [ASFP84392](#) [ASFP92371](#)