

# BRUSHLESS DC FANS

# F412R

## FEATURES

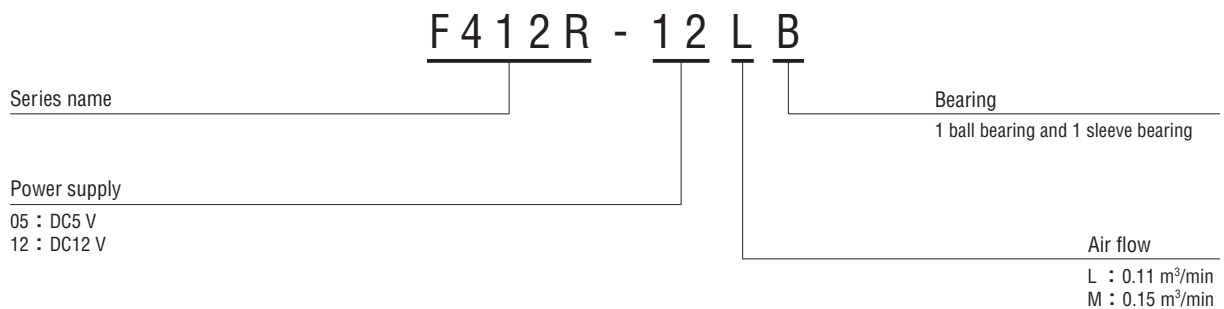
- Low noise 16 dB (A)
- Light weight (approx. 20 g)

## STRUCTURE

- Frame and impeller  
ABS/PBT alloy
- Bearing  
1 ball bearing and 1 sleeve bearing



## PART NUMBER DESIGNATION



## LIST OF PART NUMBERS

Bearing	Power supply	Part number
B	DC5 V	F412R-05LB
	DC12 V	F412R-12LB
	DC5 V	F412R-05MB
	DC12 V	F412R-12MB

※ Verify the above part numbers when placing orders.

# F412R

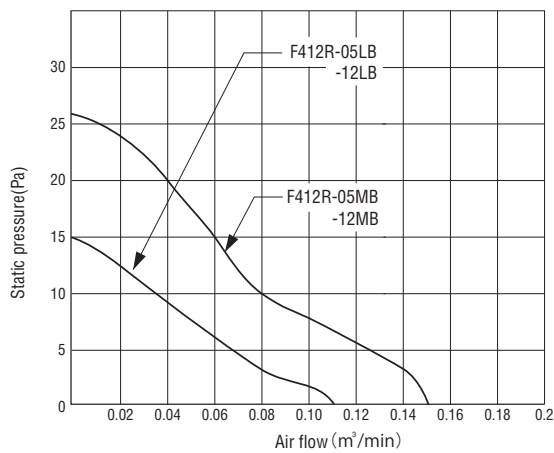
## BRUSHLESS DC FANS

### STANDARD SPECIFICATIONS

Item	F412R-05LB	F412R-05MB	F412R-12LB	F412R-12MB
Rated voltage	DC5 V		DC12 V	
Voltage range	4.5 ~ 5.7 V	4.2 ~ 5.7 V	10.2 ~ 13.8 V	10.2 ~ 13.8 V
Rated current	0.08 A	0.10 A	0.04 A	0.06 A
Rotating speed	4200 min <sup>-1</sup>	5400 min <sup>-1</sup>	4200 min <sup>-1</sup>	5400 min <sup>-1</sup>
Air flow	0.11 m <sup>3</sup> /min	0.15 m <sup>3</sup> /min	0.11 m <sup>3</sup> /min	0.15 m <sup>3</sup> /min
Static pressure	15 Pa	26 Pa	15 Pa	26 Pa
Noise	16 dB (A)	23 dB (A)	16 dB (A)	23 dB (A)
Use environment	-10 ~ +60 °C (35 ~ 85 %RH)			
Storage environment	-20 ~ +70 °C (35 ~ 85 %RH)			
Net weight	Approx. 20 g			

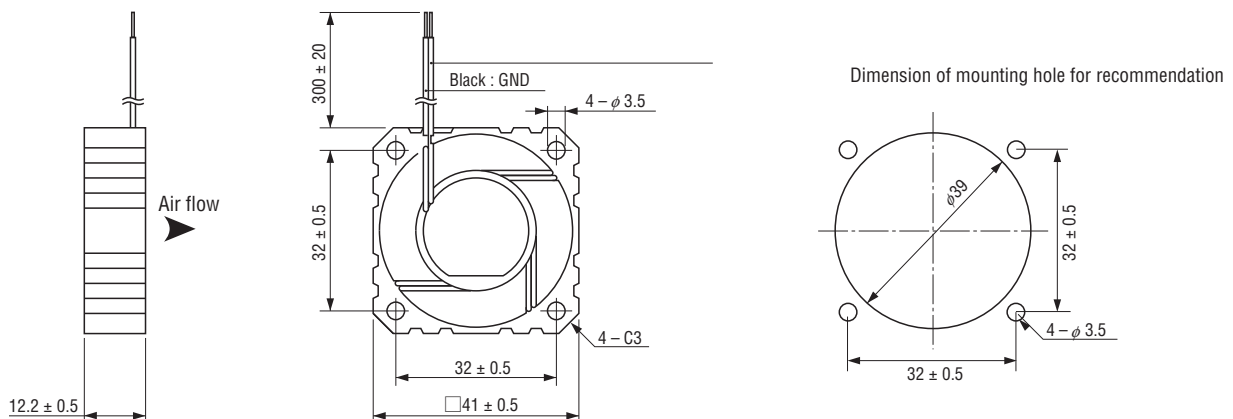
### AIR FLOW PERFORMANCE CURVES

※ The specifications above are typical values measured on the conditions of no-loading running with rated voltage in the circumstances of 25 °C ± 2 °C, 35~ 85 %RH. Please contact us if you would liketo check the specifications in different circumstances.



### OUTLINE DIMENSIONS

(Unit: mm)



## X-ON Electronics

Largest Supplier of Electrical and Electronic Components

*Click to view similar products for [DC Fans](#) category:*

*Click to view products by [Nidec Copal](#) manufacturer:*

Other Similar products are found below :

[F1238H24B-FHR](#) [F1238X24B1-FSR-TTL](#) [PMD1204PBB1-A \(2\).GN](#) [AUB0612L](#) [F6025X12B1-RHR](#) [G4020H05B2-RSR-EM](#) [4318/12T](#)  
[AUB0912H-F00](#) [3412N/2ME](#) [W2G110-AM39-01](#) [USTF501005HW](#) [8412GLV](#) [8412NGL-12](#) [6448-384](#) [3258JH](#) [4114N/17-251](#) [4412F/2D](#)  
[OD127AP-28HTB](#) [424JMU](#) [3110KL-05W-B50-G00](#) [1608KL-04W-B29-L00](#) [EF40101BX-1000U-G99](#) [4414/2HH](#) [512F/2P-549](#) [4112](#)  
[N/12GL-175](#) [9GA0924L4021](#) [9GA0924M4021](#) [9GA0924M4011](#) [9GA0912M4D011](#) [9GA0924W4D01](#) [9GA0912F4021](#) [9GA0912H4D011](#)  
[9GA0824L20021](#) [9GA0824L20011](#) [9GA0812A2002](#) [9GA0812B2D001](#) [9GA0812L20021](#) [9WP1248M1021](#) [9GA0812A2D001](#)  
[9GA0824L2D001](#) [9GA0924W4D011](#) [9GA0912W402](#) [9GA0912M402](#) [9GA0824B2D001](#) [9GA0824A20021](#) [9GA0912W4021](#)  
[9GA0924W402](#) [9GA0812L2D0011](#) [9GA0812A20021](#) [9GA0824L2001](#)